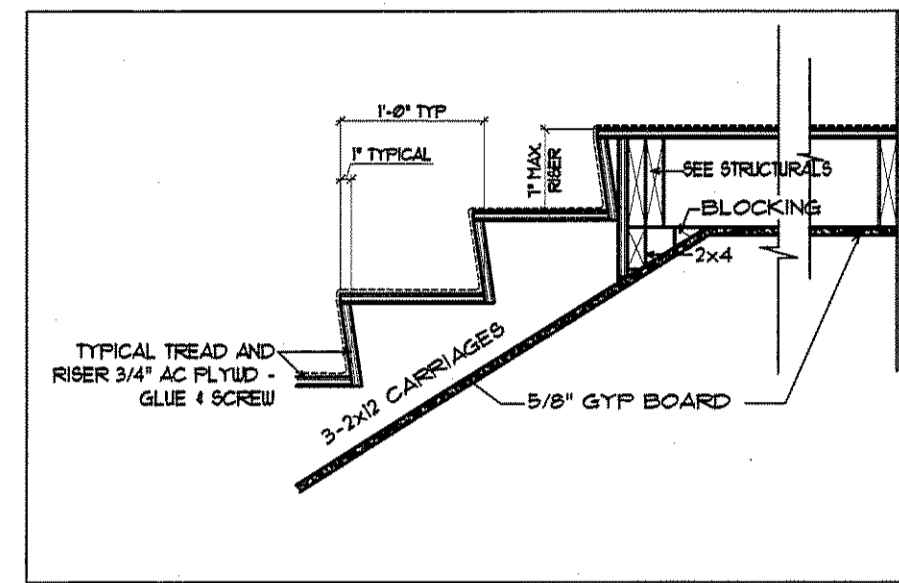
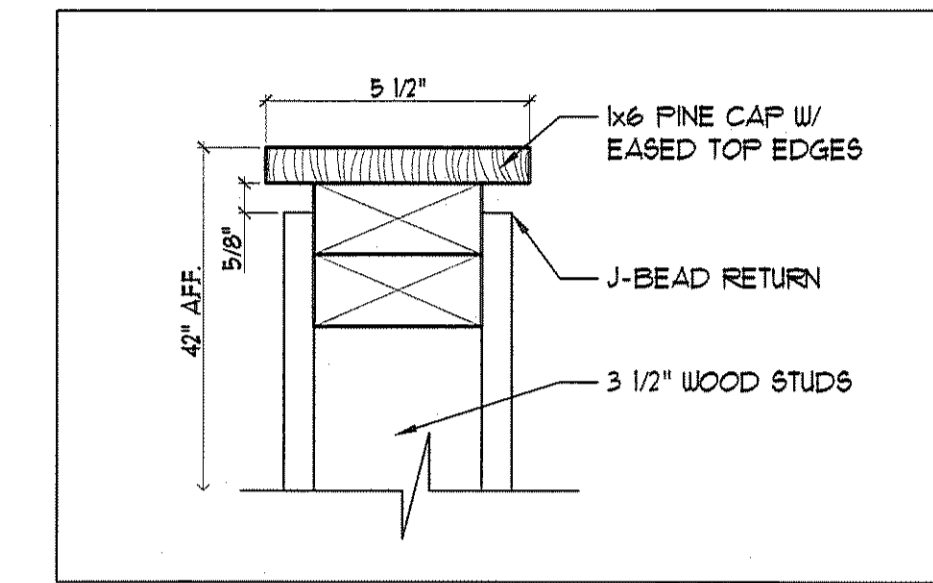


9 HANDRAIL DETAIL
SCALE: 3/4"=1'-0"

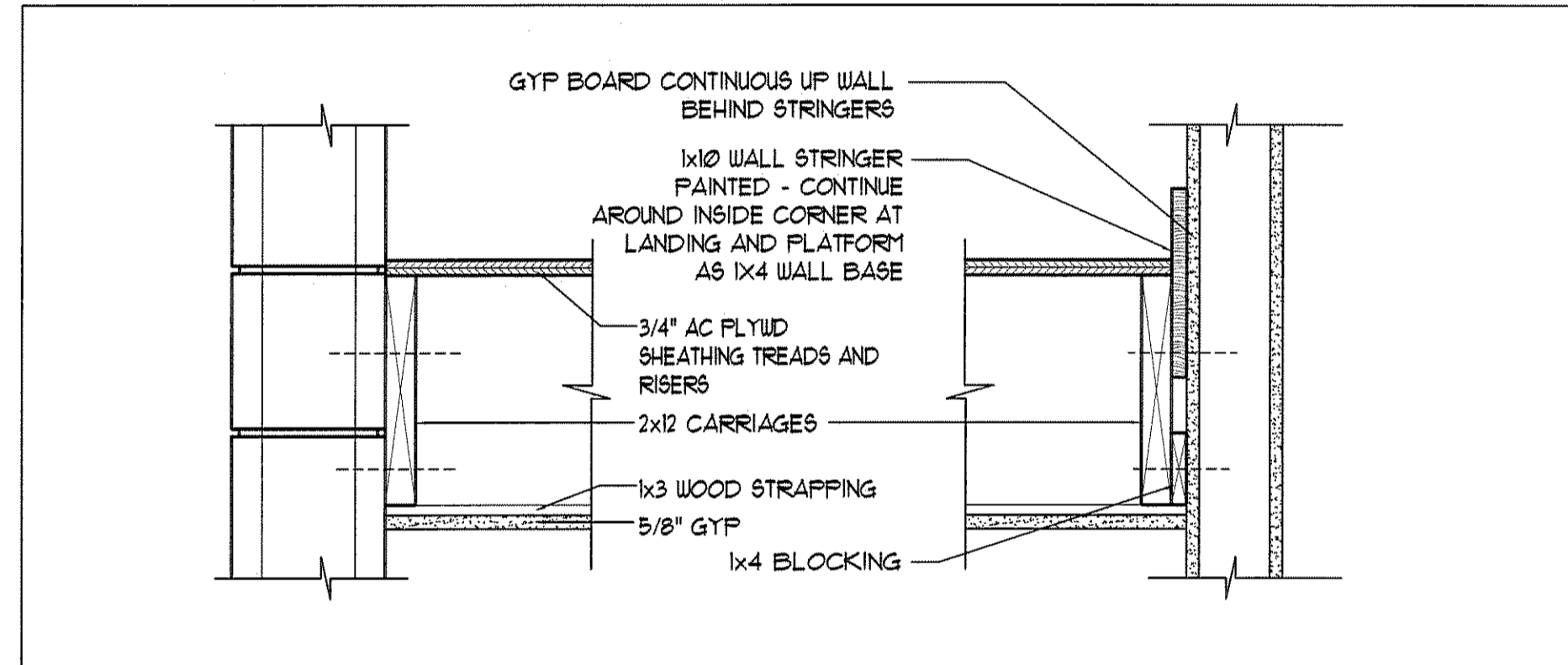
10 HANDRAIL DETAIL
SCALE: 3/4"=1'-0"



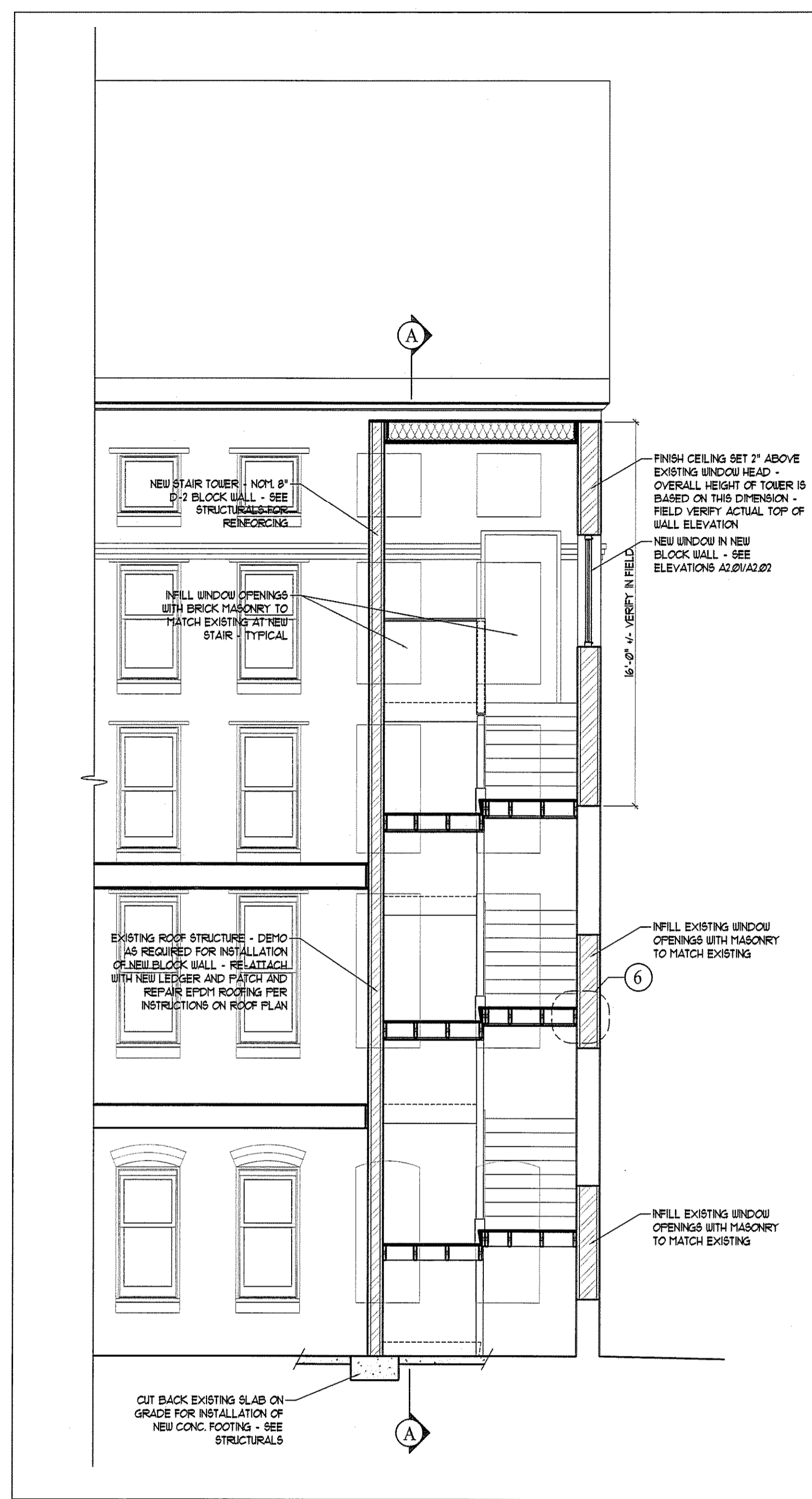
7 STAIR DETAIL
SCALE: 3/4"=1'-0"



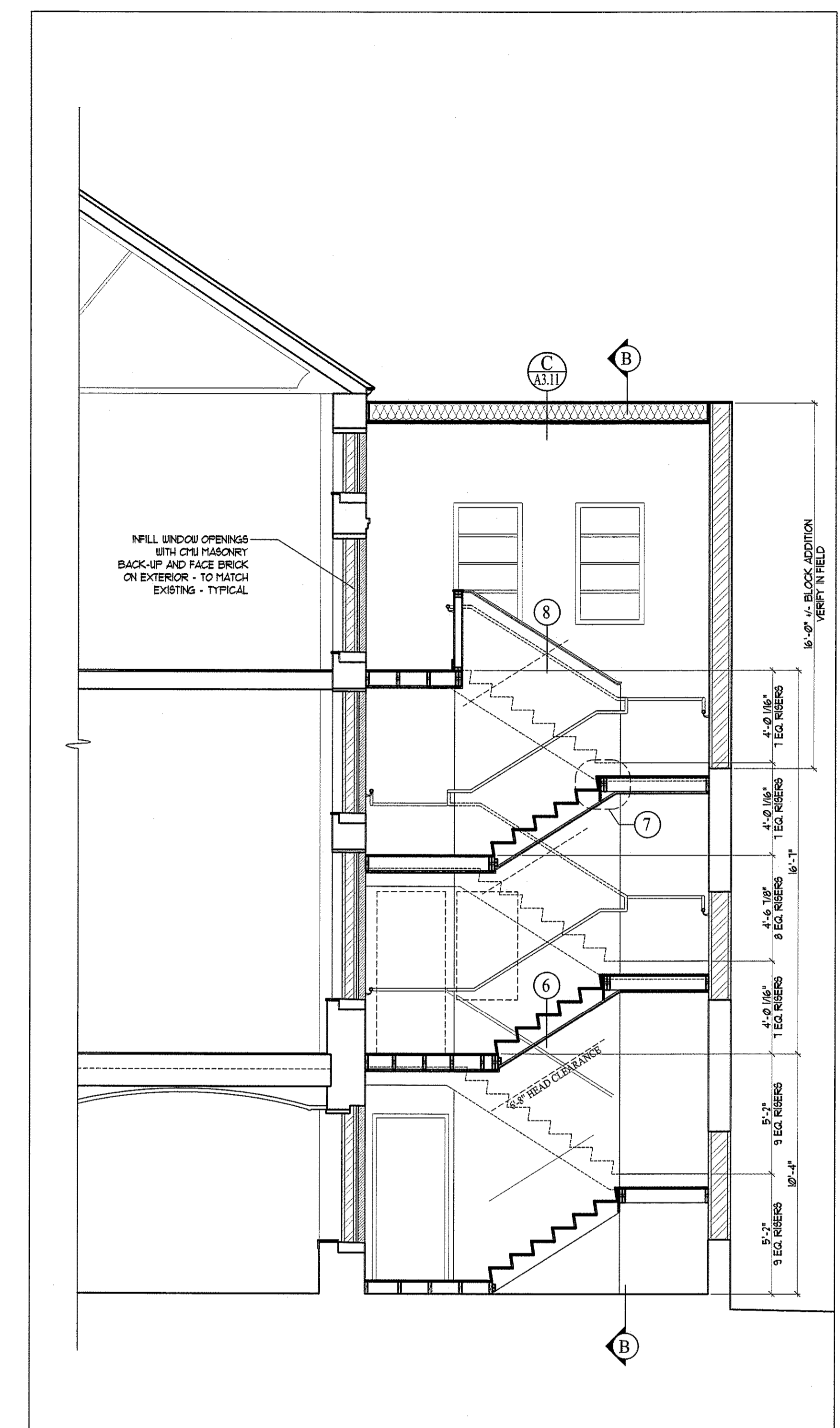
8 STAIR DETAIL
SCALE: 3/4"=1'-0"



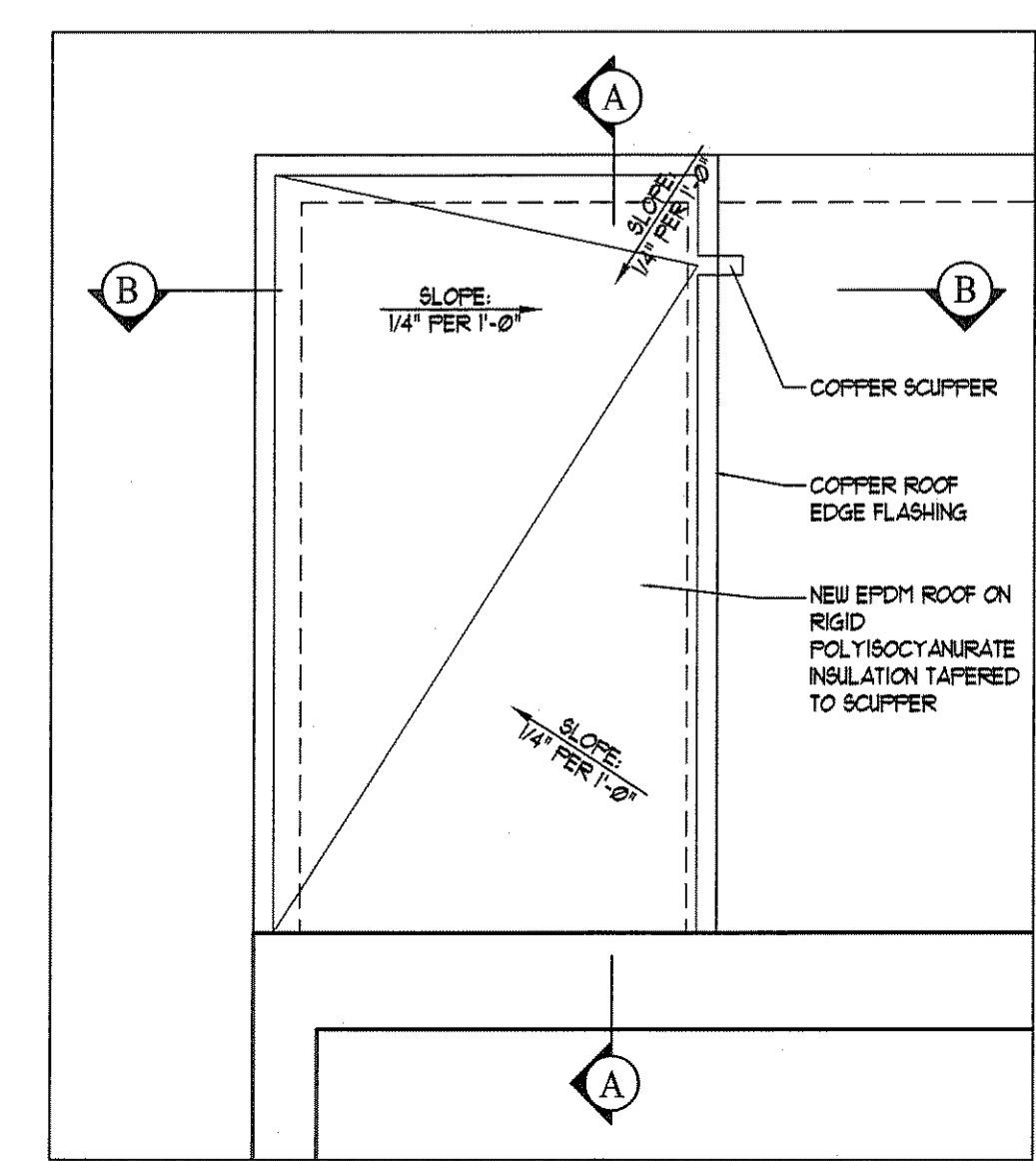
6 STAIR DETAILS
SCALE: 1 1/2"=1'-0"



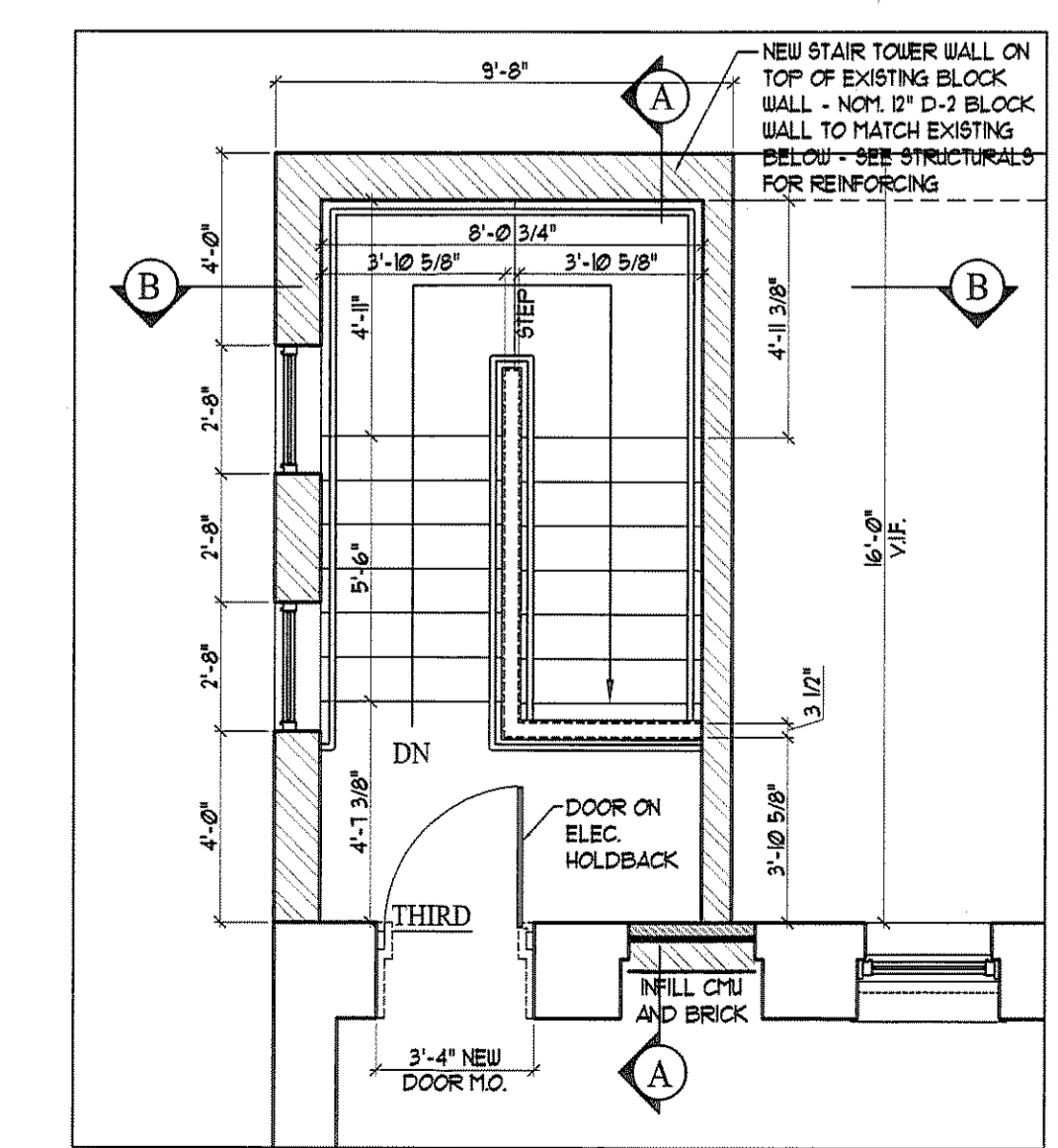
B STAIR TWO SECTION
SCALE: 1/4"=1'-0"



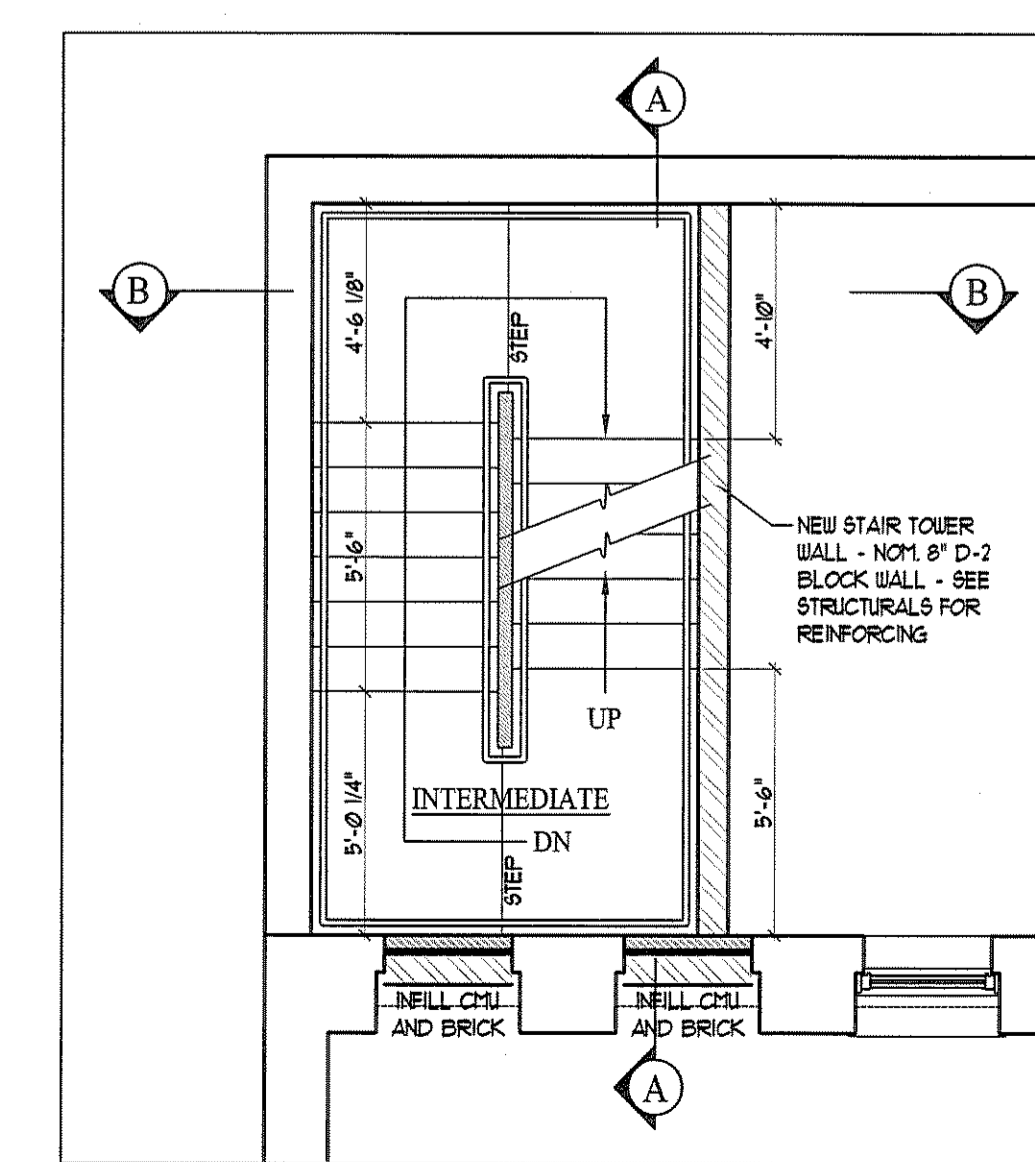
A STAIR TWO SECTION
SCALE: 1/4"=1'-0"



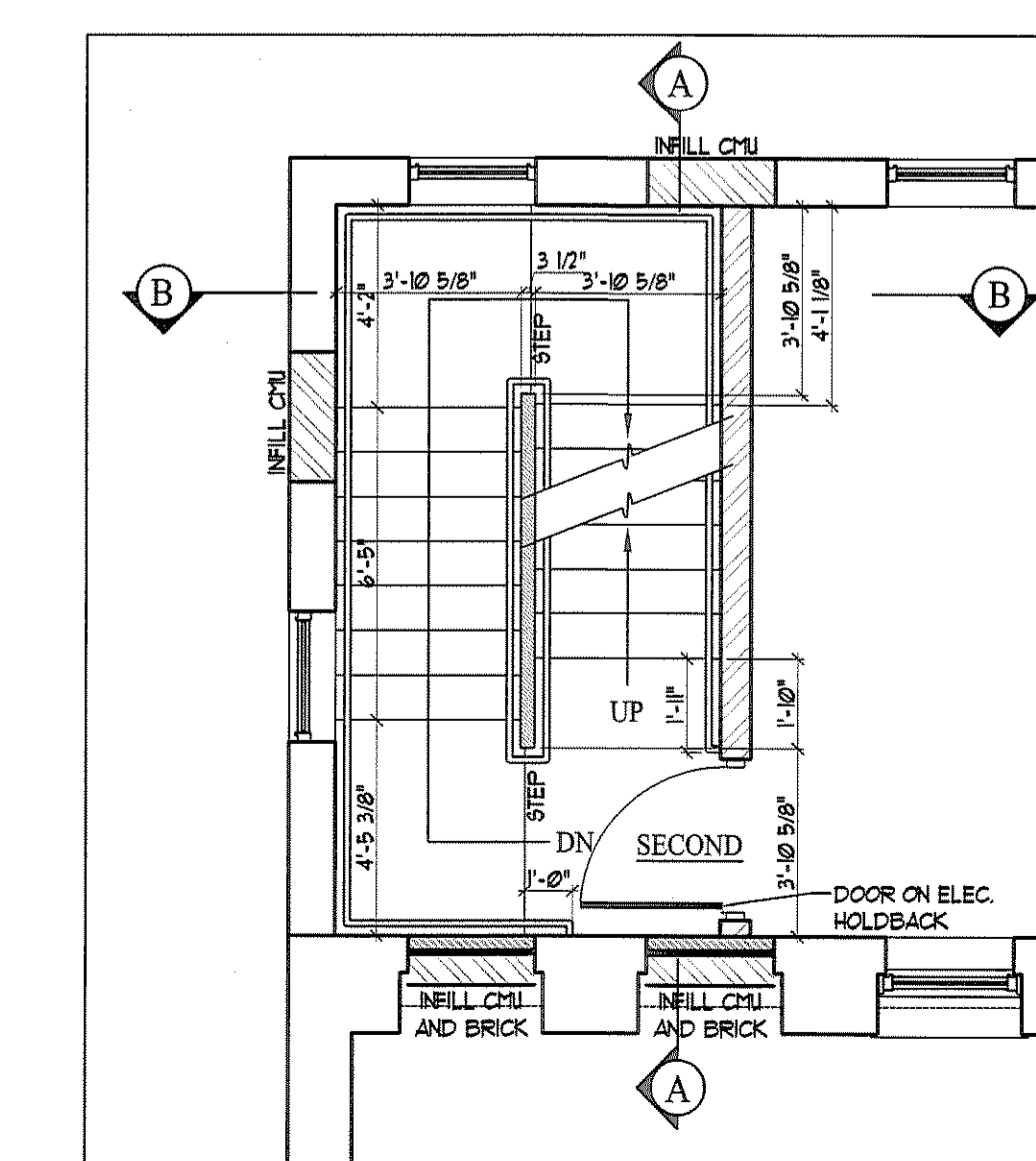
5 ROOF PLAN - STAIR TWO
SCALE: 1/4"=1'-0"



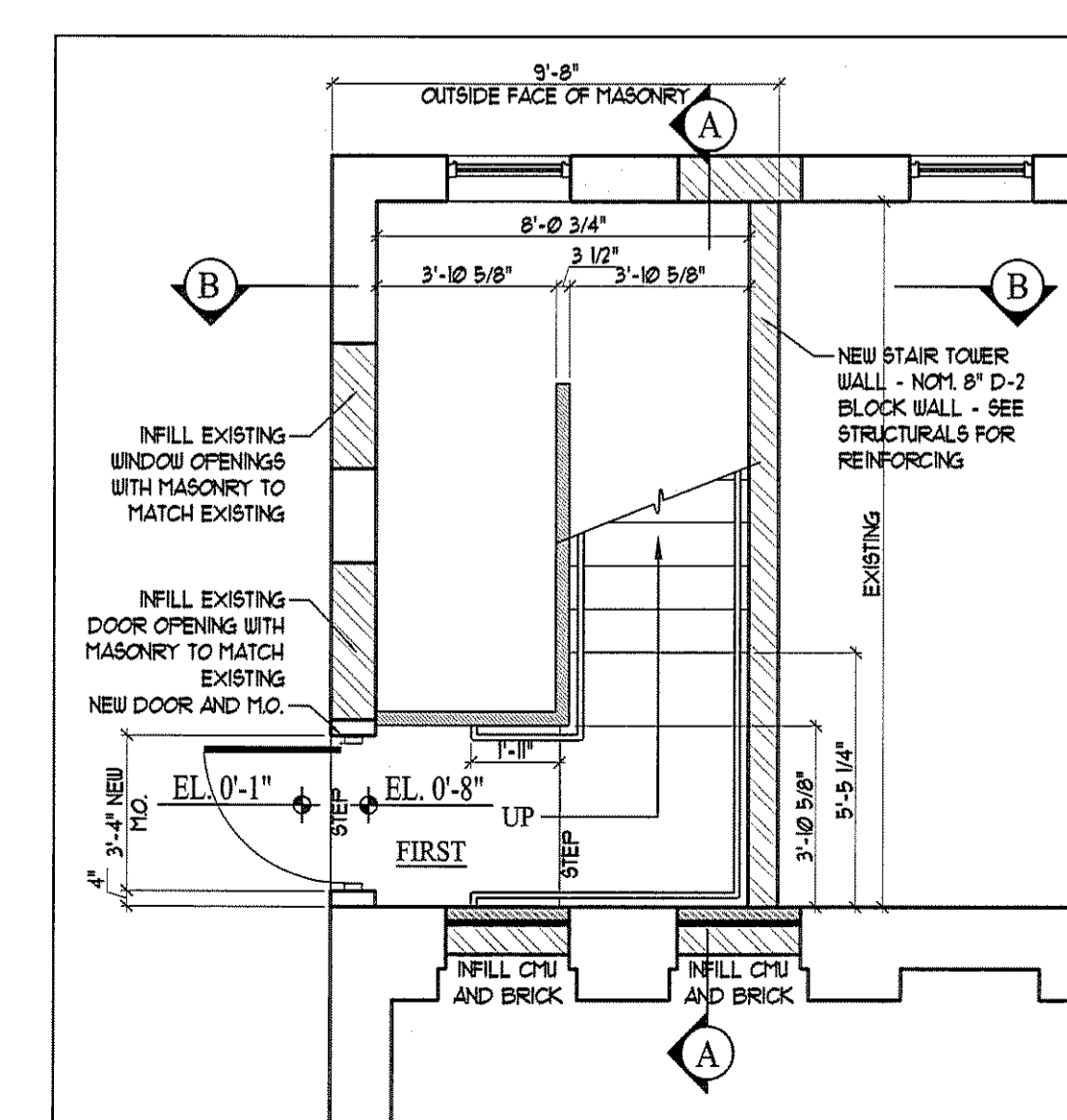
4 THIRD FLOOR PLAN - STAIR TWO
SCALE: 1/4"=1'-0"



3 INTERMEDIATE LANDING - STAIR TWO
SCALE: 1/4"=1'-0"



2 SECOND FLOOR PLAN - STAIR TWO
SCALE: 1/4"=1'-0"



1 FIRST FLOOR PLAN - STAIR TWO
SCALE: 1/4"=1'-0"