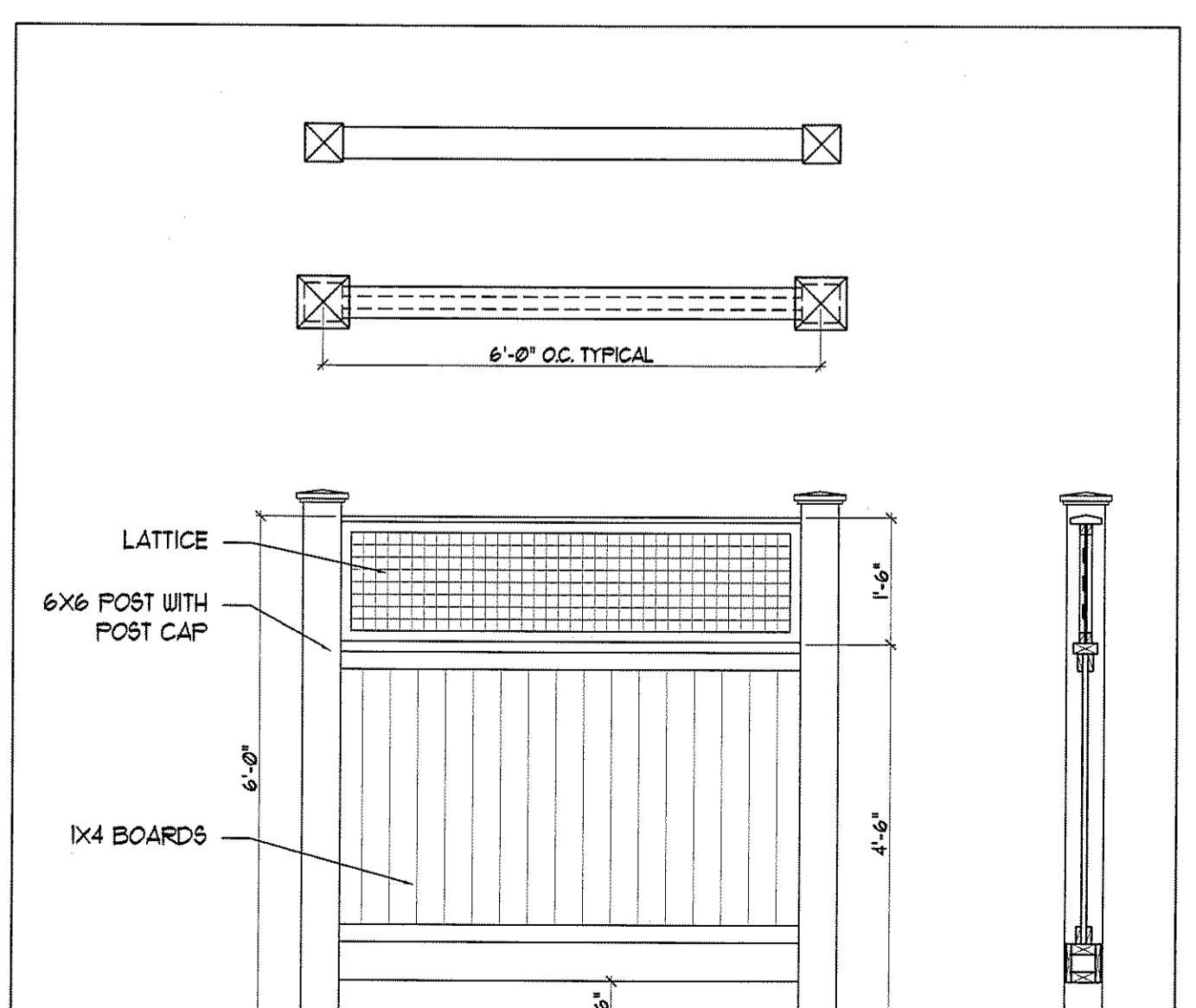
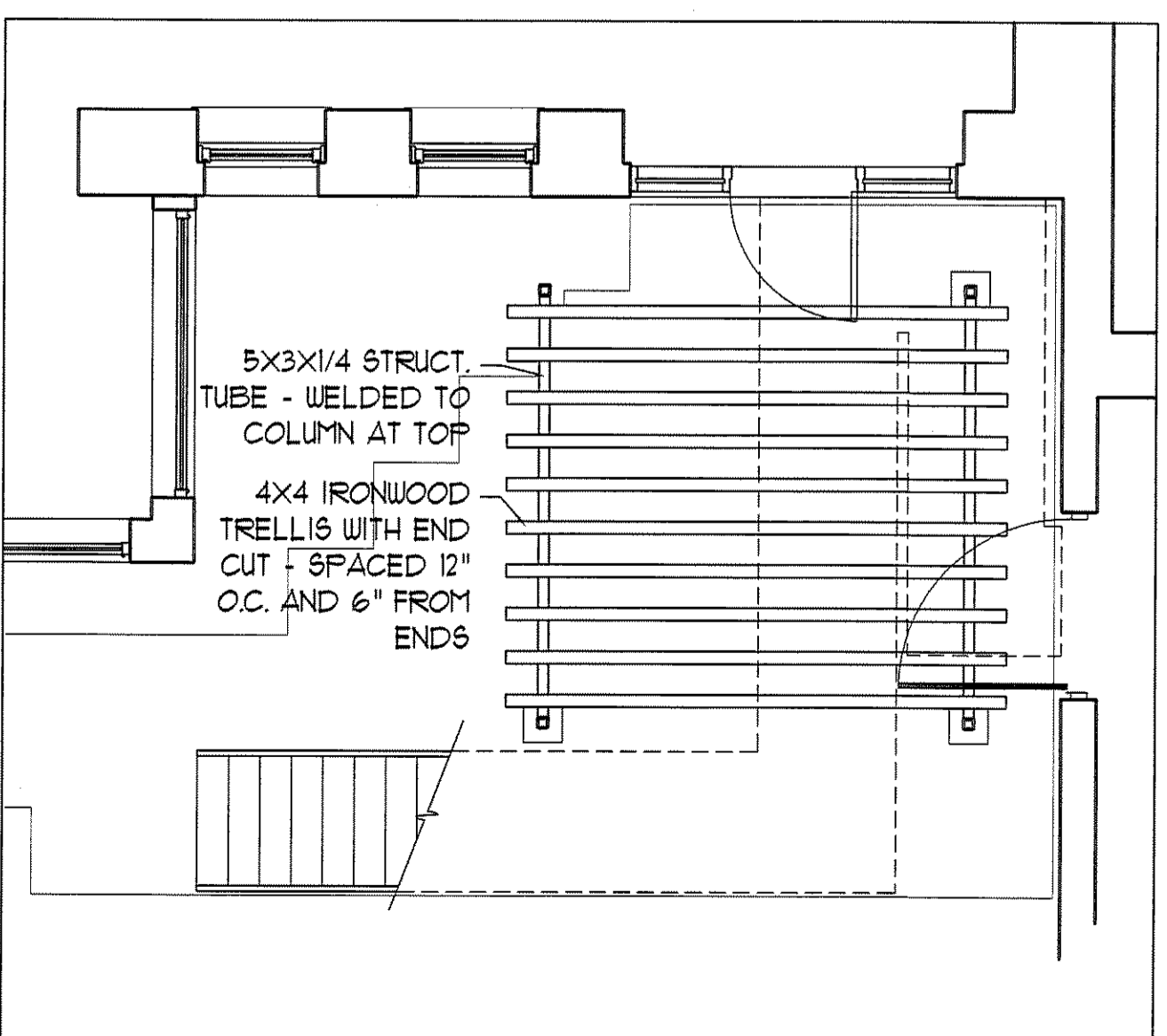
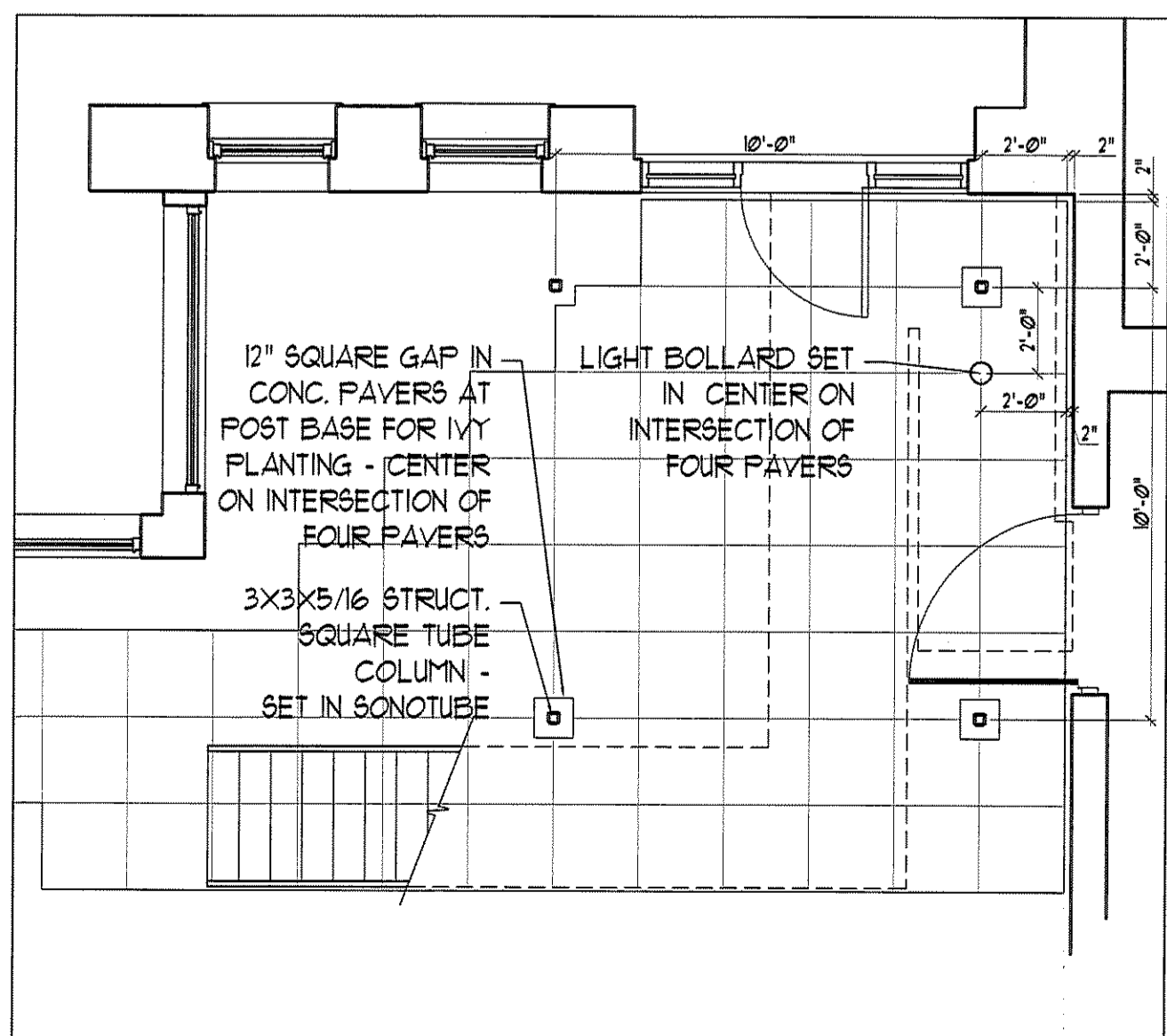
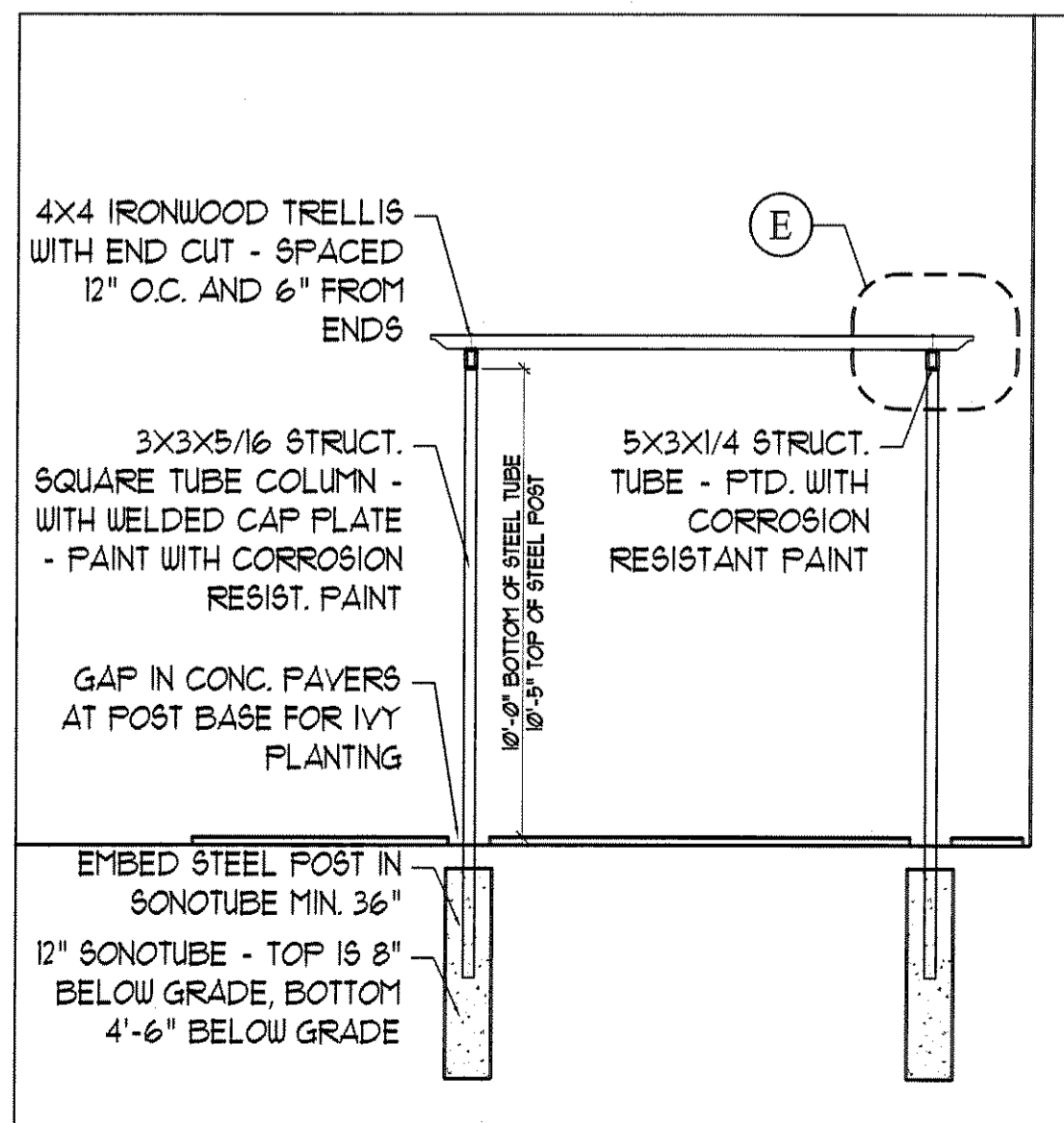
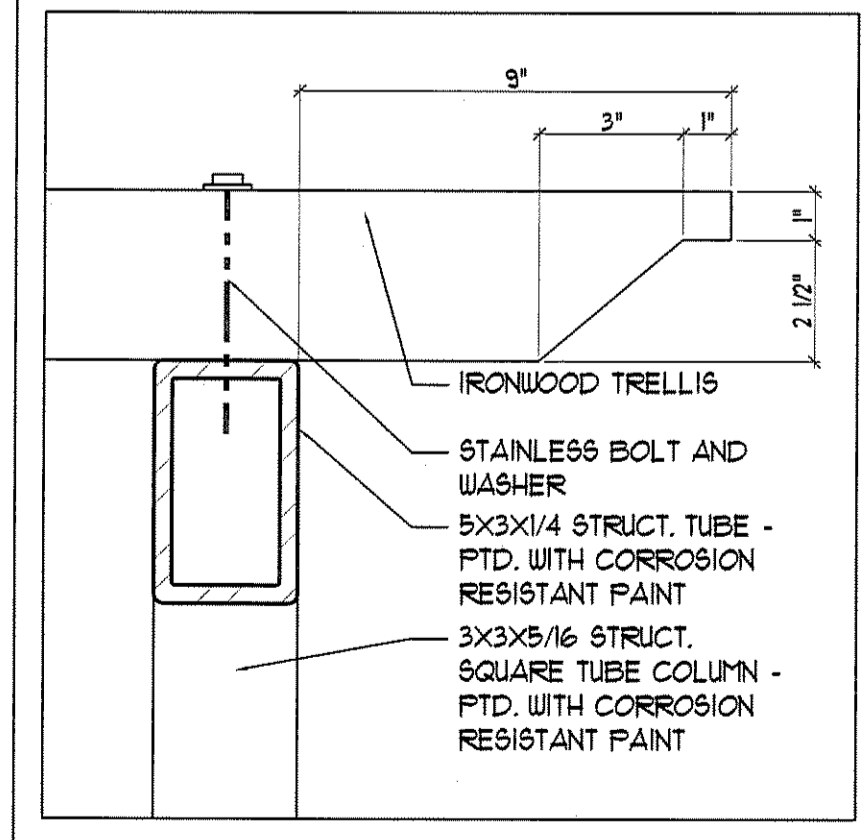
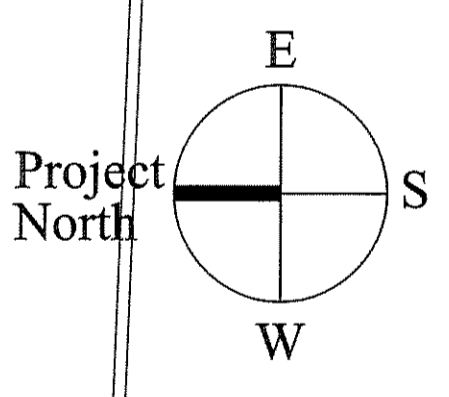


1 | SITE PLAN
SCALE: 1/8"=1'-0"



LICENSED ARCHITECT
DAVID LOYD
NO. 936
STATE OF MAINE

Prepared For: **NORTHLAND ENTERPRISES, LLC**
ONE CITY CENTER - 4TH FLOOR
PORTLAND, ME 04101

Consulting Engineer: **ARCHETYPE architects**
48 Union Wharf Portland, Maine 04101
(207) 772-6022 Fax (207) 772-4056

Project: **The BAXTER LIBRARY**
619 CONGRESS STREET
PORTLAND, MAINE

Revisions:
Issued for Pricing - 19 August 2009
Issued for Bid - 8 September 2009

Date: 19 August 2009
Scale: SEE DETAIL

SITE PLAN AND DETAILS

SD1.0