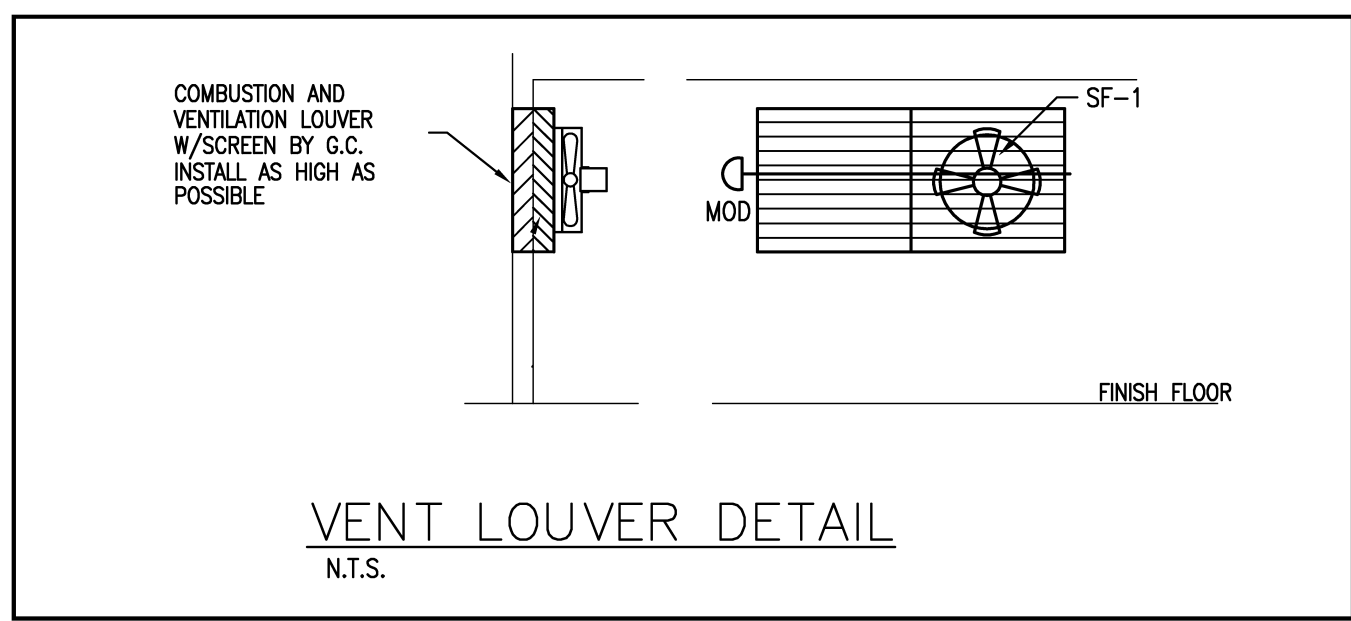
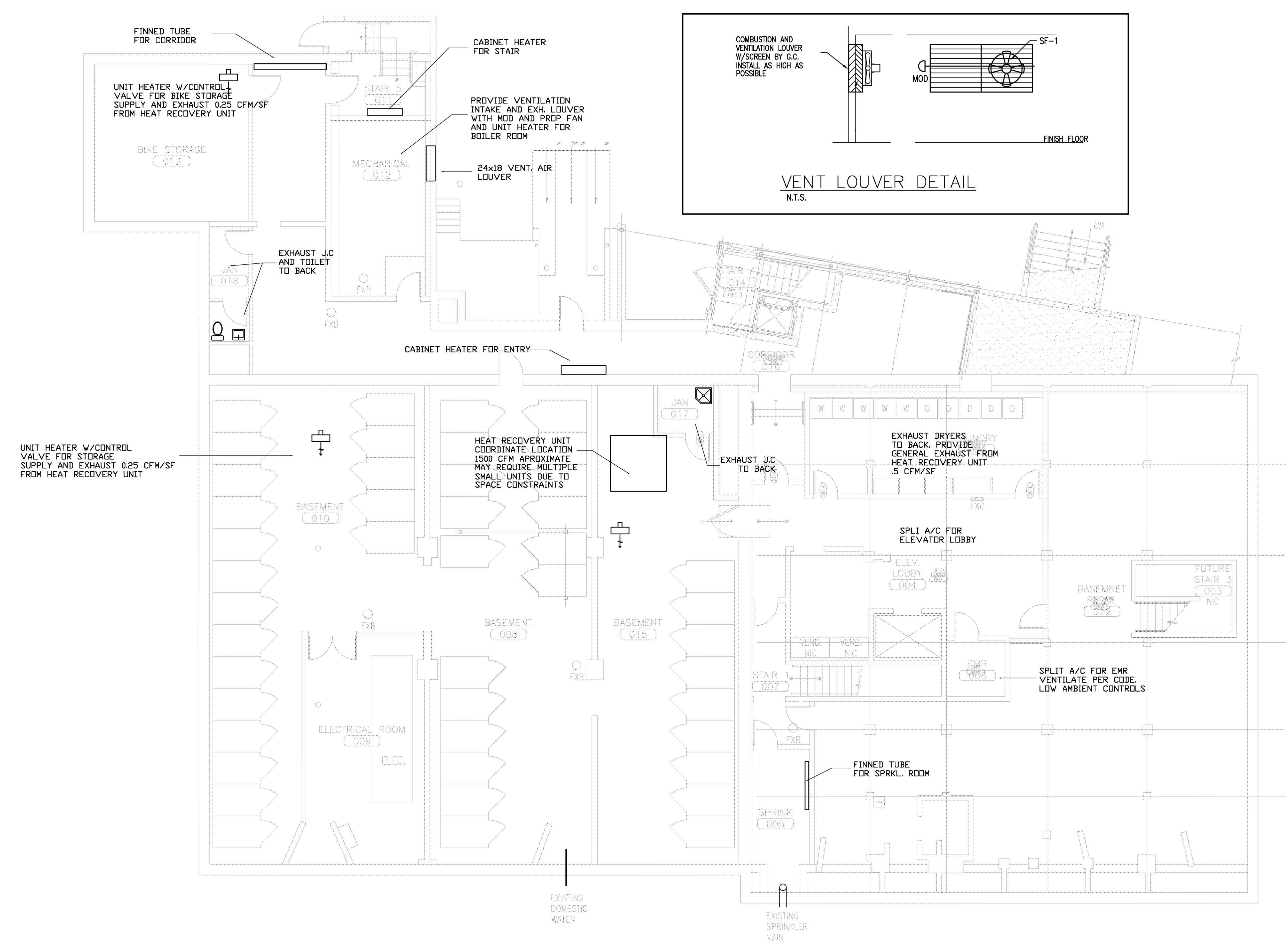


Development Consultant  
**SHINBERG**  
 CONSULTING  
 477 CONGRESS ST.  
 5TH FLOOR  
 PORTLAND, MAINE, 04101



RENOVATIONS TO  
 645 CONGRESS ST.  
 PORTLAND, ME 04101

Project No: 08.436

Drawing Title:

**BASEMENT  
 PLUMB. FLOOR  
 PLAN**

Scale: AS NOTED

Date: 5-27-09

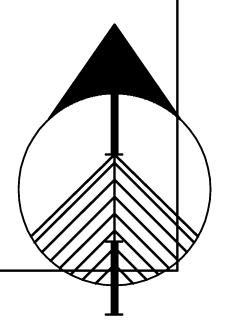
Revisions:

- ▲
- ▲
- ▲
- ▲
- ▲
- ▲

Drawing Number:

**MP1.0**

**ZADE ASSOCIATES LLC**  
 CONSULTING ENGINEERS  
 140 BEACH STREET, BOSTON, MA 02111  
 TEL. (617) 338-4406  
 FAX. (617) 451-2540  
 E-MAIL: zadecc@aol.com



North

A BASEMENT PLUMB. FLOOR PLAN

SCALE: 1/8" = 1'-0"

NOT FOR CONSTRUCTION