

EROSION AND SEDIMENTATION NOTES

1. THIS PLAN HAS BEEN DEVELOPED TO PROVIDE A STRATEGY FOR DEALING WITH SOIL EROSION AND SEDIMENTATION DURING AND AFTER PROJECT CONSTRUCTION. THIS PLAN IS BASED ON THE STANDARD AND SPECIFICATIONS FOR EROSION PREVENTION AS CONTAINED IN THE MAINE EROSION AND SEDIMENT CONTROL HANDBOOK FOR CONSTRUCTION: MAINE EROSION AND SEDIMENT CONTROL BMP'S PUBLISHED BY THE MAINE DEP, LATEST EDITION.

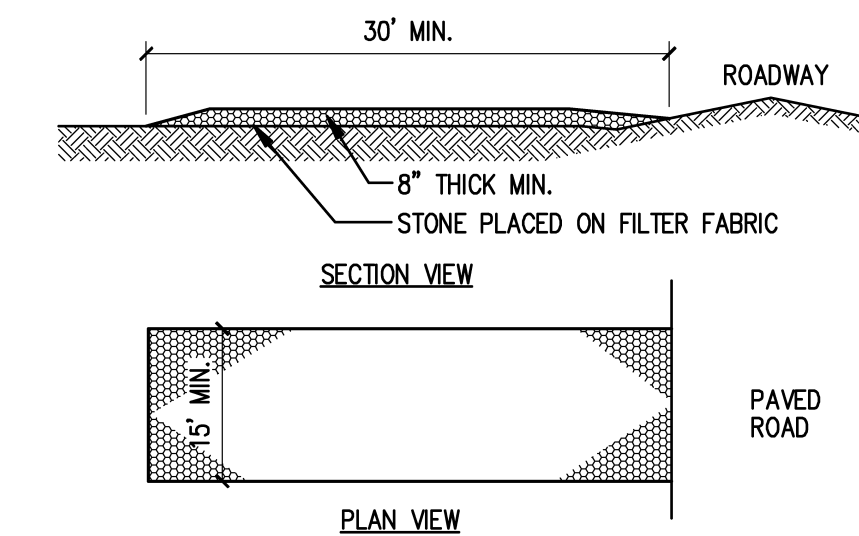
GENERAL EROSION AND SEDIMENTATION CONTROL PRACTICES

- EROSION/SEDIMENT CONTROL DEVICES
THE FOLLOWING EROSION/SEDIMENTATION CONTROL DEVICES ARE PROPOSED FOR CONSTRUCTION ON THIS PROJECT. INSTALL THESE DEVICES AS INDICATED ON THE PLANS.
- SILT FENCE: SILT FENCE WILL BE INSTALLED ALONG THE DOWN GRADING EDGES OF DISTURBED AREAS TO TRAP RUNOFF BORNE SEDIMENTS UNTIL THE SITE IS STABILIZED. IN AREAS WHERE STORMWATER DISCHARGES THE SILT FENCE WILL BE REINFORCED WITH HAY BALES TO HELP MAINTAIN THE INTEGRITY OF THE SILT FENCE AND TO PROVIDE ADDITIONAL TREATMENT.
- HAY BALES TO BE PLACED IN LOW FLOW DRAINAGE SWALES AND PATHS TO TRAP SEDIMENTS AND REDUCE RUNOFF VELOCITIES. DO NOT PLACE HAY BALES IN FLOWING WATER OR STREAMS.
- RRIPRAP: PROVIDE RRIPRAP IN AREAS WHERE CULVERTS DISCHARGE OR AS SHOWN ON THE PLANS.
- LOAM, SEED, & MULCH: ALL DISTURBED AREAS, WHICH ARE NOT OTHERWISE TREATED, SHALL RECEIVE PERMANENT SEEDING AND MULCH TO STABILIZE THE DISTURBED AREAS. THE DISTURBED AREAS WILL BE REVEGETATED WITHIN 5 DAYS OF FINAL GRADING. SEEDING REQUIREMENTS ARE PROVIDED AT THE END OF THIS SPECIFICATION.
- STRAW AND HAY MULCH: USED TO COVER DENUDED AREAS UNTIL PERMANENT SEED OR EROSION CONTROL MEASURES ARE IN PLACE. MULCH BY ITSELF CAN BE USED ON SLOPES LESS THAN 15% IN SUMMER AND 8% IN WINTER. ALL OTHER SLOPES MUST BE COVERED WITH JUTE MESH OVER MULCH, OR CURLEX II OR EXCELSIOR MAY BE USED IN PLACE OF JUTE MESH AND MULCH OVER LOAM AND SEED.
- MULCH NETTING SHALL BE USED TO ANCHOR MULCH IN ALL DRAINAGE WAYS WITH A SLOPE GREATER THAN 3% FOR SLOPES EXPOSED TO DIRECT WINDS AND FOR ALL OTHER SLOPES GREATER THAN 8%. VEGETATED DRAINAGE SWALES SHALL BE LINED WITH EXCELSIOR OR CURLEX.
- TEMPORARY EROSION/SEDIMENTATION CONTROL MEASURES
PROVIDE THE FOLLOWING TEMPORARY EROSION/SEDIMENTATION CONTROL MEASURES DURING CONSTRUCTION OF THE DEVELOPMENT:
 - SILTATION FENCE ALONG THE DOWNGRADIENT SIDE OF THE PARKING AREAS AND OF ALL FILL SECTIONS. THE SILTATION FENCE WILL REMAIN IN PLACE UNTIL THE SITE IS 85% COVERED.
 - HAY BALES PLACED AT KEY LOCATIONS TO SUPPLEMENT THE SILT FENCE.
 - PROTECT TEMPORARY STOCKPILES OF STUMPS, GRUBBINGS, OR COMMON EXCAVATION AS FOLLOWS:
 - SOIL STOCKPILE SIDE SLOPES SHALL NOT EXCEED 2:1.
 - AVOID PLACING TEMPORARY STOCKPILES IN AREAS WITH SLOPES OVER 10 PERCENT, OR NEAR DRAINAGE SWALES. SEE ITEM 3 IN CONSTRUCTION PHASE NOTES BELOW.
 - STABILIZE STOCKPILES WITHIN 15 DAYS BY TEMPORARILY SEEDING WITH A HYDROSEED METHOD CONTAINING AN EMULSIFIED MULCH TACKIFIER OR BY COVERING THE STOCKPILE WITH MULCH.
 - SURROUND STOCKPILE SOIL WITH SILTATION FENCE AT BASE OF PILE.
 - ALL DENUDED AREAS WHICH HAVE BEEN ROUGH GRADED AND ARE NOT LOCATED WITHIN THE BUILDING PAD, OR PARKING AND DRIVEWAY SUBBASE AREA SHALL RECEIVE MULCH WITHIN 30 DAYS OF INITIAL DISTURBANCE OF SOIL OR WITHIN 15 DAYS AFTER COMPLETING THE ROUGH GRADING OPERATIONS. IN THE EVENT THE CONTRACTOR COMPLETES FINAL GRADING AND INSTALLATION OF LOAM AND SOO WITHIN THE TIME PERIODS PRESENTED ABOVE, INSTALLATION OF MULCH AND NETTING, WHERE APPLICABLE, IS NOT REQUIRED.
 - IF WORK IS CONDUCTED BETWEEN OCTOBER 15 AND APRIL 15, ALL DENUDED AREAS ARE TO BE COVERED WITH HAY MULCH, APPLIED AT TWICE THE NORMAL APPLICATION RATE, AND ANCHORED WITH FABRIC NETTING. THE PERIOD BETWEEN FINAL GRADING AND MULCHING SHALL BE REDUCED TO A 15 DAY MAXIMUM.
 - TEMPORARY EROSION CONTROL MEASURES SHALL BE REMOVED ONCE THE SITE HAS BEEN STABILIZED OR IN AREAS WHERE PERMANENT EROSION CONTROL MEASURES HAVE BEEN INSTALLED.
 - PERMANENT EROSION CONTROL MEASURES
THE FOLLOWING PERMANENT EROSION CONTROL MEASURES ARE REQUIRED BY THIS EROSION/SEDIMENTATION CONTROL PLAN:
 - ALL AREAS DISTURBED DURING CONSTRUCTION, BUT NOT SUBJECT TO OTHER RESTORATION (PAVING, RRIPRAP, ETC.), WILL BE LOAMED, LIMED, FERTILIZED AND SEEDED. NATIVE TOPSOIL SHALL BE STOCKPILED AND REUSED FOR FINAL RESTORATION WHEN IT IS OF SUFFICIENT QUALITY.
 - SLOPES GREATER THAN 2:1 WILL RECEIVE RRIPRAP.

CONSTRUCTION PHASE

THE FOLLOWING GENERAL PRACTICES WILL BE USED TO PREVENT EROSION DURING CONSTRUCTION OF THIS PROJECT.

- ONLY THOSE AREAS UNDER ACTIVE CONSTRUCTION WILL BE CLEARED AND LEFT IN AN UNTREATED OR UNVEGETATED CONDITION. IF FINAL GRADING, LOAMING AND SEEDING WILL NOT OCCUR WITHIN 15 DAYS, SEE ITEM NO. 4.
- PRIOR TO THE START OF CONSTRUCTION IN A SPECIFIC AREA, SILT FENCING AND/OR HAY BALES WILL BE INSTALLED AT THE TOE OF SLOPE AND IN AREAS AS LOCATED ON THE PLANS TO PROTECT AGAINST ANY CONSTRUCTION RELATED EROSION. IMMEDIATELY FOLLOWING CONSTRUCTION OF CULVERTS AND SWALES, RIP RAP APRONS SHALL BE INSTALLED, AS SHOWN ON THE PLANS.
- TOPSOIL WILL BE STOCKPILED WHEN NECESSARY IN AREAS WHICH HAVE MINIMUM POTENTIAL FOR EROSION AND WILL BE KEPT AS FAR AS POSSIBLE FROM THE EXISTING DRAINAGE COURSE. NO STOCKPILE SHALL BE CLOSER THAN 100' OF A RESOURCE INCLUDING, BUT NOT LIMITED TO, WETLANDS, STREAMS, AND OPEN WATER BODIES. ALL STOCKPILES SHALL HAVE A SILTATION FENCE BELOW THEM REGARDLESS OF TIME OF PRESENCE. ALL STOCKPILES EXPECTED TO REMAIN LONGER THAN 15 DAYS SHALL BE:
 - TREATED WITH ANCHORED MULCH (WITHIN 5 DAYS OF THE LAST DEPOSIT OF STOCKPILED SOIL).
 - SEEDED WITH CONSERVATION MIX AND MULCHED IMMEDIATELY.
 - INSTALL SILT FENCE AROUND STOCKPILE AT BASE OF PILE. STOCKPILES TO HAVE SILT FENCE INSTALLED AT TIME OF ESTABLISHMENT AT BASE OF PILE.
- ALL DISTURBED AREAS EXPECTED TO REMAIN LONGER THAN 30 DAYS SHALL BE EITHER:
 - TREATED WITH ANCHORED MULCH IMMEDIATELY, OR
 - SEEDED WITH CONSERVATION MIX OF ANNUAL RYE GRASS (0.9 LBS/1000 SQ. FT) AND MULCHED IMMEDIATELY.
- ALL GRADING WILL BE HELD TO A MAXIMUM 2:1 SLOPE WHERE PRACTICAL. ALL SLOPES WILL BE STABILIZED WITH PERMANENT SEEDING, OR WITH STONE, WITHIN 5 DAYS AFTER FINAL GRADING IS COMPLETE. (SEE POST-CONSTRUCTION REVEGETATION FOR SEEDING SPECIFICATION.)
- ALL CATCH BASINS SHALL HAVE A CASCO TRAP (BY ETHELRIDGE FOUNDRY) INSTALLED IMMEDIATELY AFTER INSTALLATION. CATCH BASINS SHALL BE MAINTAINED DURING AND CLEANED AFTER CONSTRUCTION.



- NOTES:**
- STONE SIZE: 2 1/2" TO 1 1/2" USE CRUSHED STONE.
 - THICKNESS: MINIMUM OF 8".
 - MAINTENANCE: THE ENTRANCE SHALL BE MAINTAINED IN A CONDITION WHICH WILL PREVENT TRACKING OR FLOWING OF SEDIMENT ONTO PUBLIC TRAVELED WAY. THIS MAY REQUIRE PERIODIC TOP DRESSING WITH ADDITIONAL STONE.

STABILIZED CONSTRUCTION ENTRANCE

NTS

POST-CONSTRUCTION REVEGETATION

THE FOLLOWING GENERAL PRACTICES WILL BE USED TO PREVENT EROSION AS SOON AS AN AREA IS READY TO UNDERGO FINAL GRADING.

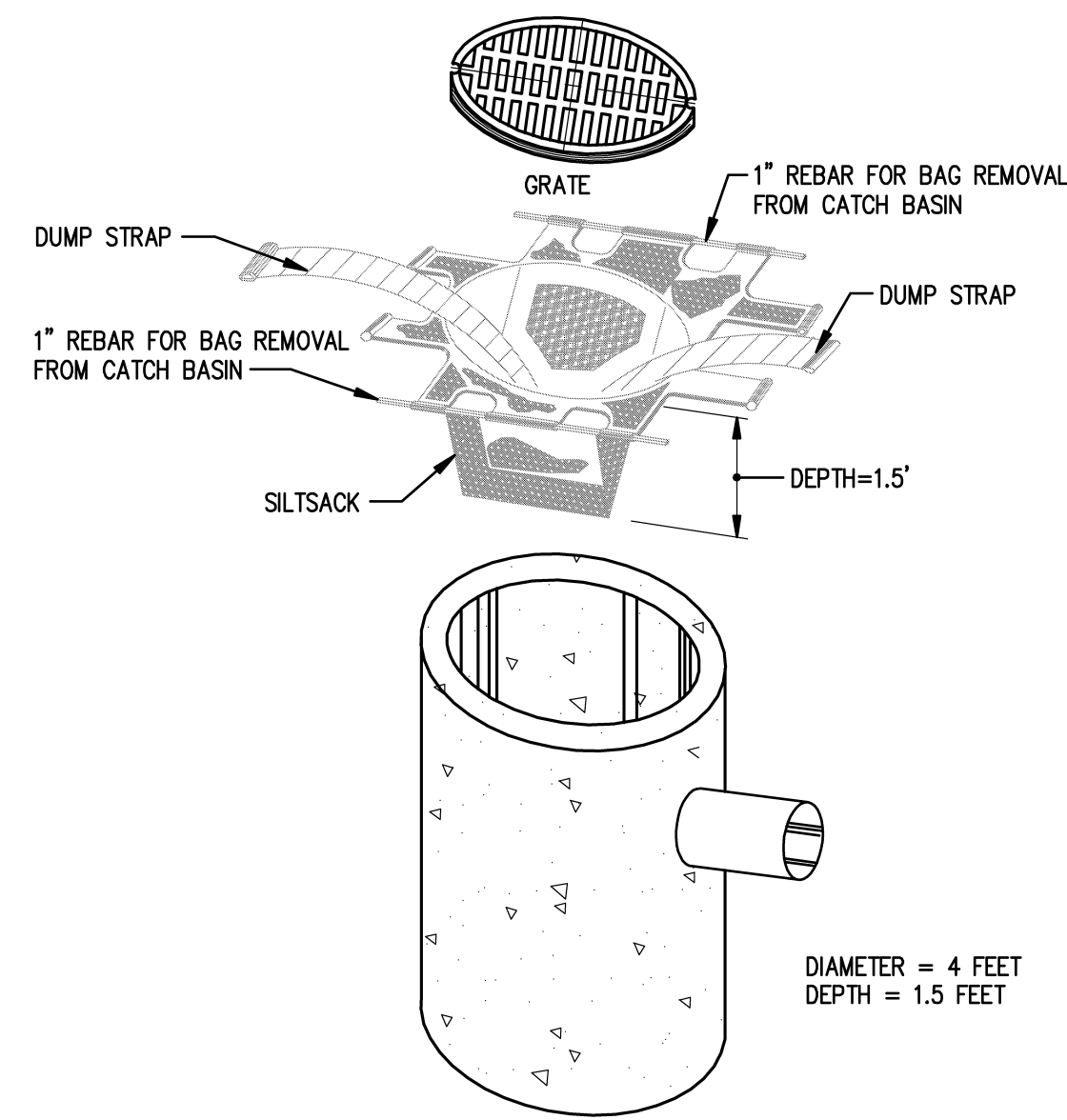
- A MINIMUM OF 4" OF LOAM WILL BE SPREAD OVER DISTURBED AREAS AND GRADED TO A UNIFORM DEPTH AND NATURAL APPEARANCE, OR STONE WILL BE PLACED ON SLOPES TO STABILIZE SURFACES.
- IF FINAL GRADING IS REACHED DURING THE NORMAL GROWING SEASON (4/15 TO 9/15), PERMANENT SEEDING WILL BE DONE AS SPECIFIED BELOW. PRIOR TO SEEDING, LIMESTONE SHALL BE APPLIED AT A RATE OF 138 LBS/1000 SQ. FT. AND 10:20:20 FERTILIZER AT A RATE OF 18.4 LBS/1000 SQ.FT WILL BE APPLIED. BROADCAST SEEDING AT THE FOLLOWING RATES:

LAWNS	SWALES
KENTUCKY BLUEGRASS 0.46 LBS/1000 SF.	RED TOP 0.05 LBS/1000 SF.
CREeping RED FESCUE 0.46 LBS/1000 SF.	TALL FESCUE 0.46 LBS/1000 SF.
PERENNIAL RYE GRASS 0.11 LB/1000 SF.	
- AN AREA SHALL BE MULCHED IMMEDIATELY AFTER IS HAS BEEN SEED. MULCHING SHALL CONSIST OF HAY MULCH, HYDRO-MULCH, JUTE NET OVER MULCH, PRE-MANUFACTURED EROSION MATS OR ANY SUITABLE SUBSTITUTE DEEMED ACCEPTABLE BY THE DESIGNER.
 - HAY MULCH SHALL BE APPLIED AT THE RATE OF 2 TONS PER ACRE. HAY MULCH SHALL BE SECURED BY EITHER: (NOTE: SOIL SHALL NOT BE VISIBLE)
 - BEING DRIVEN OVER BY TRACKED CONSTRUCTION EQUIPMENT ON GRADES OF 5% AND LESS.
 - BLANKETTED BY TACKED PHOTODEGRADABLE/BIODEGRADABLE NETTING, OR WITH SPRAY, ON GRADES GREATER THAN 5%.
 - SEE NOTE 6, GENERAL NOTES, AND NOTE 8, WINTER CONSTRUCTION.
 - HYDRO-MULCH SHALL CONSIST OF A MIXTURE OF EITHER ASPHALT, WOOD FIBER OR PAPER FIBER AND WATER SPRAYED OVER A SEEDED AREA. HYDRO-MULCH SHALL NOT BE USED BETWEEN 9/15 AND 4/15.
- CONSTRUCTION SHALL BE PLANNED TO ELIMINATE THE NEED FOR SEEDING BETWEEN SEPTEMBER 15 AND APRIL 15. SHOULD SEEDING BE NECESSARY BETWEEN SEPTEMBER 15 AND APRIL 15 THE FOLLOWING PROCEDURE SHALL BE FOLLOWED. ALSO REFER TO NOTE 9 OF WINTER CONSTRUCTION.
 - ONLY UNFROZEN LOAM SHALL BE USED.
 - LOAMING, SEEDING AND MULCHING WILL NOT BE DONE OVER SNOW OR ICE COVER. IF SNOW EXISTS, IT MUST BE REMOVED PRIOR TO PLACEMENT OF SEED.
 - WHERE PERMANENT SEEDING IS NECESSARY, ANNUAL WINTER RYE (1.2 LBS/1000 SQ.FT) SHALL BE ADDED TO THE PREVIOUSLY NOTED AREAS.
 - WHERE TEMPORARY SEEDING IS REQUIRED, ANNUAL WINTER RYE (2.6 LBS/1000 SQ. FT.) SHALL BE SOWN INSTEAD OF THE PREVIOUSLY NOTED SEEDING RATE.
 - FERTILIZING, SEEDING AND MULCHING SHALL BE APPLIED TO LOAM THE DAY THE LOAM IS SPREAD BY MACHINERY.
 - ALTERNATIVE HAY MULCH SHALL BE SECURED WITH PHOTODEGRADABLE/BIODEGRADABLE NETTING. TRACKING BY MACHINERY ALONE WILL NOT SUFFICE.
- FOLLOWING FINAL SEEDING, THE SITE WILL BE INSPECTED EVERY 30 DAYS UNTIL 85% COVER HAS BEEN ESTABLISHED. RESEEDING WILL BE CARRIED OUT BY THE CONTRACTOR WITHIN 10 DAYS OF NOTIFICATION BY THE ENGINEER THAT THE EXISTING CATCH IS INADEQUATE.

MONITORING SCHEDULE

THE CONTRACTOR IS RESPONSIBLE FOR INSTALLING, MONITORING, MAINTAINING, REPAIRING, REPLACING AND REMOVING ALL OF THE EROSION AND SEDIMENTATION CONTROLS OR APPOINTING A QUALIFIED SUBCONTRACTOR TO DO SO. MAINTENANCE MEASURES WILL BE APPLIED AS NEEDED DURING THE ENTIRE CONSTRUCTION CYCLE. AFTER EACH RAINFALL, A VISUAL INSPECTION WILL BE MADE OF ALL EROSION AND SEDIMENTATION CONTROLS AS FOLLOWS:

- HAY BALE BARRIERS, SILT FENCE, AND STONE CHECK DAMS SHALL BE INSPECTED AND REPAIRED ONCE A WEEK OR IMMEDIATELY FOLLOWING ANY SIGNIFICANT RAINFALL. SEDIMENT TRAPPED BEHIND THESE BARRIERS SHALL BE EXCAVATED WHEN IT REACHES A DEPTH OF 6" AND REDISTRIBUTED TO AREAS UNDERGOING FINAL GRADING. SHOULD THE HAY BALE BARRIERS PROVE TO BE INEFFECTIVE, THE CONTRACTOR SHALL INSTALL SILT FENCE BEHIND THE HAY BALES.
- VISUALLY INSPECT RRIPRAP ONCE A WEEK OR AFTER EACH SIGNIFICANT RAINFALL AND REPAIR AS NEEDED. REMOVE SEDIMENT TRAPPED BEHIND THESE DEVICES ONCE IT ATTAINS A DEPTH EQUAL TO 1/2 THE HEIGHT OF THE DAM OR RISER. DISTRIBUTE REMOVED SEDIMENT OFF-SITE OR TO AN AREA UNDERGOING FINAL GRADING.
- REVEGETATION OF DISTURBED AREAS WITHIN 25' OF DRAINAGE-COURSE/STREAM WILL BE SEEDED WITH THE "MEADOW AREA MIX" AND INSPECTED ON A WEEKLY BASIS OR AFTER EACH SIGNIFICANT RAINFALL AND RESEEDED AS NEEDED. EXPOSED AREAS WILL BE RESEEDED AS NEEDED UNTIL THE AREA HAS OBTAINED 100% GROWTH RATE. PROVIDE PERMANENT RRIPRAP FOR SLOPES IN EXCESS OF 3:1 AND WITHIN 25' OF DRAINAGE COURSE.



"SILTSACK" INSTALLATION INSTRUCTION

- REMOVE THE CATCH BASIN GRATE AND PLACE THE SACK INTO THE OPENING. HOLD OUT APPROXIMATELY SIX (6) INCHES OF THE SACK BEYOND THE BASIN FRAME TO ALLOW ACCESS TO THE "SILTSACK" LIFTING STRAPS. REPLACING THE GRATE BACK INSIDE OF ITS FRAME WILL HOLD THE SACK IN PLACE.
- THE CONTRACTOR SHALL BE RESPONSIBLE FOR MONITORING AND MAINTAINING THIS SEDIMENT CONTROL DEVICE. THE SACK IS CONSIDERED FULL AND READY TO EMPTY WHEN THE "RESTRAINT CORD" IS NO LONGER VISIBLE.
- THE "SILTSACK" IS REMOVED BY PLACING TWO (2) PIECES IF 1 INCH DIAMETER REBAR THROUGH THE LIFTING LOOPS LOCATED ON EACH SIDE OF THE SACK AND LIFTING WITH AN APPROPRIATE PIECE OF CONSTRUCTION EQUIPMENT. THE LIFTING STRAPS ARE CONNECTED TO THE BOTTOM OF THE SACK AND THE LIFTING ACTION WILL CAUSE THE SACK TO TURN INSIDE OUT, AND EMPTYING THE CONTENTS. THE SACK SHOULD THEN BE CLEANED, RINSED AND RETURNED TO ITS ORIGINAL SHAPE AND PLACED BACK IN THE BASIN.
- THE "SILTSACK" IS REUSABLE, THEREFORE, ONCE THE CONSTRUCTION CYCLE IS COMPLETE, REMOVE THE SACK FROM THE BASIN, CLEAN AND STORE OUT OF DIRECT SUNLIGHT UNTIL ITS NEXT USE.
- THE "SILTSACK" SEDIMENT CONTROL DEVICE IS MANUFACTURED BY: ACF ENVIRONMENTAL

EROSION CONTROL DURING WINTER CONSTRUCTION

- WINTER CONSTRUCTION PERIOD: NOVEMBER 1 THROUGH APRIL 15.
- WINTER EXCAVATION AND EARTHWORK SHALL BE COMPLETED SUCH THAT NO MORE THAN 1 ACRE OF THE SITE IS WITHOUT STABILIZATION AT ANY ONE TIME.
- EXPOSED AREA SHALL BE LIMITED TO THOSE AREAS TO BE MULCHED IN ONE DAY PRIOR TO ANY SNOW EVENT. AT THE END OF EACH WORK WEEK NO AREAS MAY BE LEFT UNSTABILIZED OVER THE WEEKEND.
- CONTINUATION OF EARTHWORK OPERATIONS ON ADDITIONAL AREAS SHALL NOT BEGIN UNTIL THE EXPOSED SOIL SURFACE ON THE AREA BEING WORKED HAS BEEN STABILIZED, SUCH THAT NO LARGER AREA OF THE SITE IS WITHOUT EROSION CONTROL PROTECTION AS LISTED IN ITEM 2 ABOVE.
- AN AREA SHALL BE CONSIDERED TO HAVE BEEN STABILIZED WHEN EXPOSED SURFACES HAVE BEEN EITHER MULCHED WITH STRAW OR HAY AT A RATE OF 150 LB. PER 1000 SF. (WITH OR WITHOUT SEEDING) OR DORMANT SEED, MULCHED AND ANCHORED SUCH THAT SOIL SURFACE IS NOT VISIBLE THROUGH THE MULCH. NOTE: AN AREA IS ALSO CONSIDERED STABLE IF SOODED, COVERED WITH GRAVEL (PARKING LOTS) OR STRUCTURAL SAND.
- BETWEEN THE DATES OF OCTOBER 15 AND APRIL 1, LOAM OR SEED WILL NOT BE REQUIRED. DURING PERIODS OF ABOVE FREEZING TEMPERATURES THE SLOPES SHALL BE FINE GRADED AND EITHER PROTECTED WITH MULCH OR TEMPORARILY SEEDED AND MULCHED UNTIL SUCH TIME AS THE FINAL TREATMENT CAN BE APPLIED. IF THE DATE IS AFTER NOVEMBER 1 AND IF THE EXPOSED AREA HAS BEEN LOAMED, FINAL GRADED WITH A UNIFORM SURFACE, THEN THE AREA MAY BE DORMANT SEEDED AT A RATE OF 3 TIMES HIGHER THAN SPECIFIED FOR PERMANENT SEED AND THEN MULCHED. IF CONSTRUCTION CONTINUES DURING FREEZING WEATHER, ALL EXPOSED AREAS SHALL BE CONTINUOUSLY GRADED BEFORE FREEZING AND THE SURFACE TEMPORARILY PROTECTED FROM EROSION BY THE APPLICATION OF MULCH. SLOPES SHALL NOT BE LEFT UNEXPOSED OVER THE WINTER OR ANY OTHER EXTENDED TIME OF WORK SUSPENSION UNLESS TREATED IN THE ABOVE MANNER. UNTIL SUCH TIME AS WEATHER CONDITIONS ALLOW, DITCHES TO BE FINISHED WITH THE PERMANENT SURFACE TREATMENT, EROSION SHALL BE CONTROLLED BY THE INSTALLATION OF BALES OF HAY, SILT FENCE OR STONE CHECK DAMS IN ACCORDANCE WITH THE STANDARD DETAILS SHOWN ON THE DESIGN DRAWINGS. NOTE: DORMANT SEEDING SHOULD NOT BE ATTEMPTED UNLESS SOIL TEMPERATURE REMAINS BELOW 50 DEGREES AND DAY TIME TEMPERATURES REMAIN IN THE 30'S.
- MULCH NETTING SHALL BE USED TO ANCHOR MULCH IN ALL DRAINAGE WAYS WITH A SLOPE GREATER THAN 3% FOR SLOPES EXPOSED TO DIRECT WINDS AND FOR ALL OTHER SLOPES GREATER THAN 8%. VEGETATED DRAINAGE SWALES SHALL BE LINED WITH EXCELSIOR OR CURLEX.
- MULCH NETTING SHALL BE USED TO ANCHOR MULCH IN ALL DRAINAGE WAYS WITH SLOPES GREATER THAN 15% AFTER OCTOBER 1 THE SAME APPLIES FOR ALL SLOPES GREATER THAN 8%.
- BETWEEN THE DATES OF OCTOBER 15 TO NOVEMBER 1, WINTER RYE IS RECOMMENDED FOR STABILIZATION. AFTER NOVEMBER 1, WINTER RYE IS NOT EFFECTIVE. AROUND NOVEMBER 15 OR LATER, ONCE TEMPERATURES OF THE AIR AND SOIL PERMIT, DORMANT SEEDING IS EFFECTIVE.
- IN THE EVENT OF SNOWFALL (FRESH OR CUMULATIVE) GREATER THAN 1 INCH DURING WINTER CONSTRUCTION PERIOD ALL SNOW SHALL BE REMOVED FROM THE AREAS OF SEEDING AND MULCHING PRIOR TO PLACEMENT.

SITE INSPECTION AND MAINTENANCE

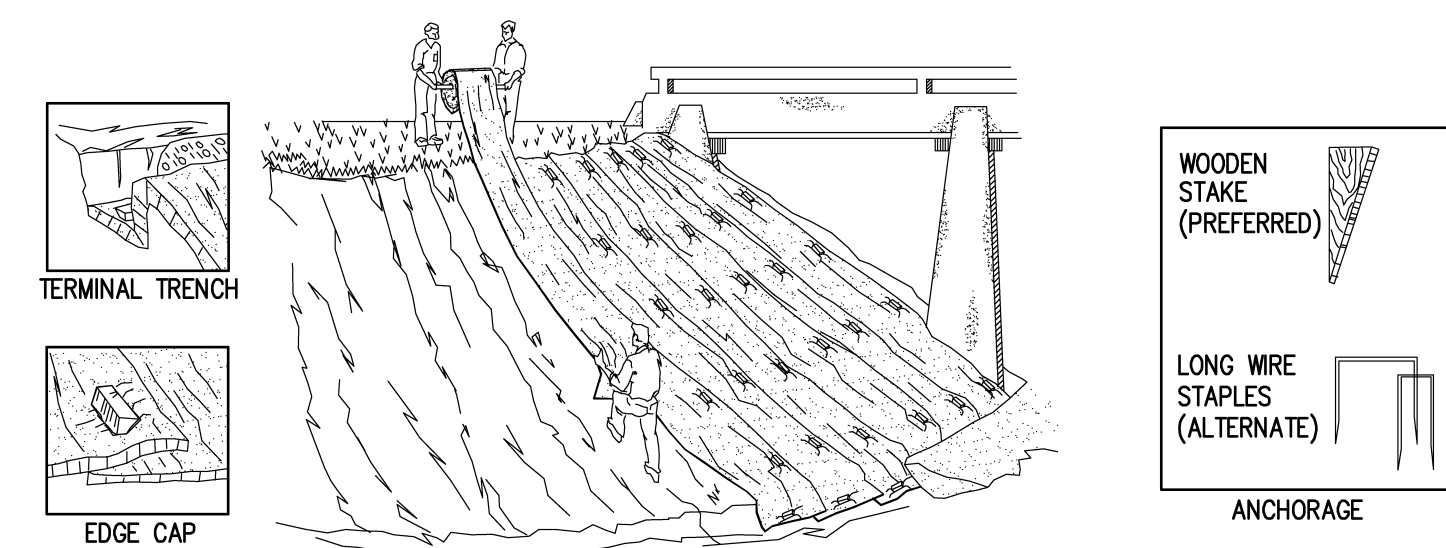
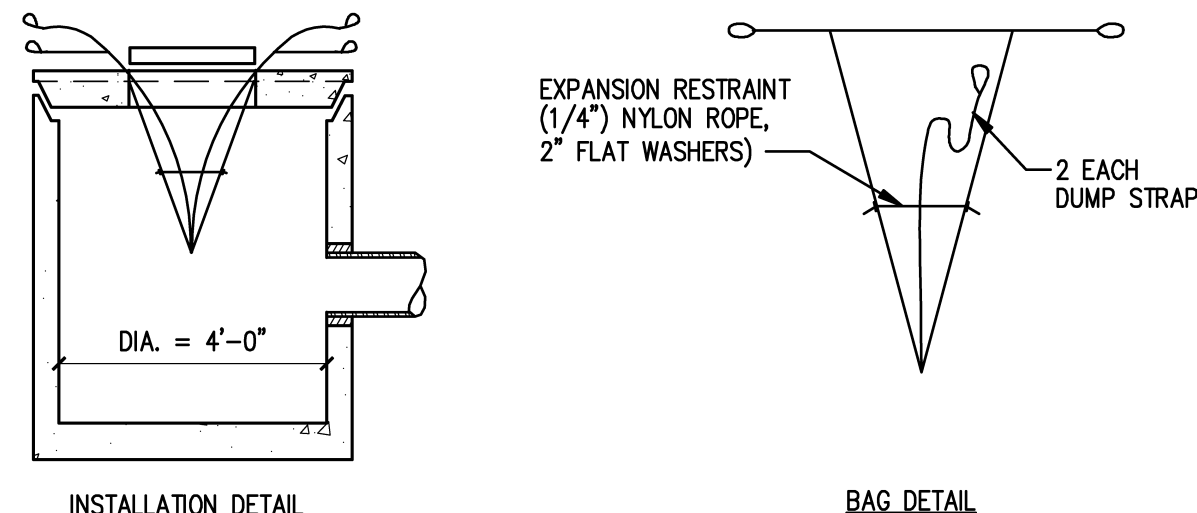
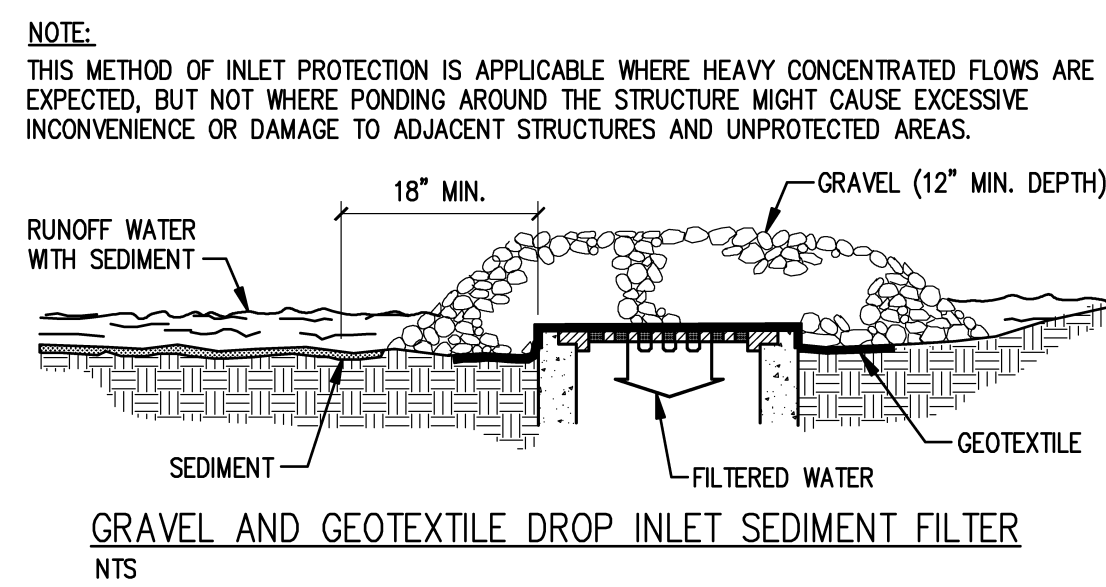
- WEEKLY INSPECTIONS, AS WELL AS ROUTINE INSPECTIONS FOLLOWING RAIN FALLS, SHALL BE CONDUCTED BY THE GENERAL CONTRACTOR OF ALL TEMPORARY AND PERMANENT EROSION CONTROL DEVICES UNTIL FINAL ACCEPTANCE OF THE PROJECT (85% GRASS CATCH). NECESSARY REPAIRS SHALL BE MADE TO CORRECT UNDERMINING OR DETERIORATION. FINAL ACCEPTANCE SHALL INCLUDE A SITE INSPECTION TO VERIFY THE STABILITY OF ALL DISTURBED AREAS AND SLOPES. UNTIL FINAL INSPECTION, ALL EROSION AND SEDIMENTATION CONTROL MEASURES SHALL IMMEDIATELY BE CLEANED, AND REPAIRED BY THE GENERAL CONTRACTOR AS REQUIRED. DISPOSAL OF ALL TEMPORARY EROSION AND CONTROL DEVICES SHALL BE THE RESPONSIBILITY OF THE GENERAL CONTRACTOR.

IT IS RECOMMENDED THAT THE OWNER HIRE THE SERVICES OF THE DESIGN ENGINEER TO PROVIDE COMPLIANCE INSPECTIONS (DURING ACTIVE CONSTRUCTION) RELATIVE TO IMPLEMENTATION OF THE STORMWATER AND EROSION CONTROL PLANS. SUCH INSPECTIONS SHOULD BE LIMITED TO ONCE A WEEK OR AS NECESSARY AND BE REPORTABLE TO THE OWNER, TOWN AND DEP.

- SHORT-TERM SEDIMENTATION MAINTENANCE SHALL BE THE RESPONSIBILITY OF THE CONTRACTOR TO CLEAN OUT ALL SWALES AND STRUCTURES PRIOR TO TURNING PROJECT OVER TO THE CITY.

MAINTENANCE AFTER CONSTRUCTION

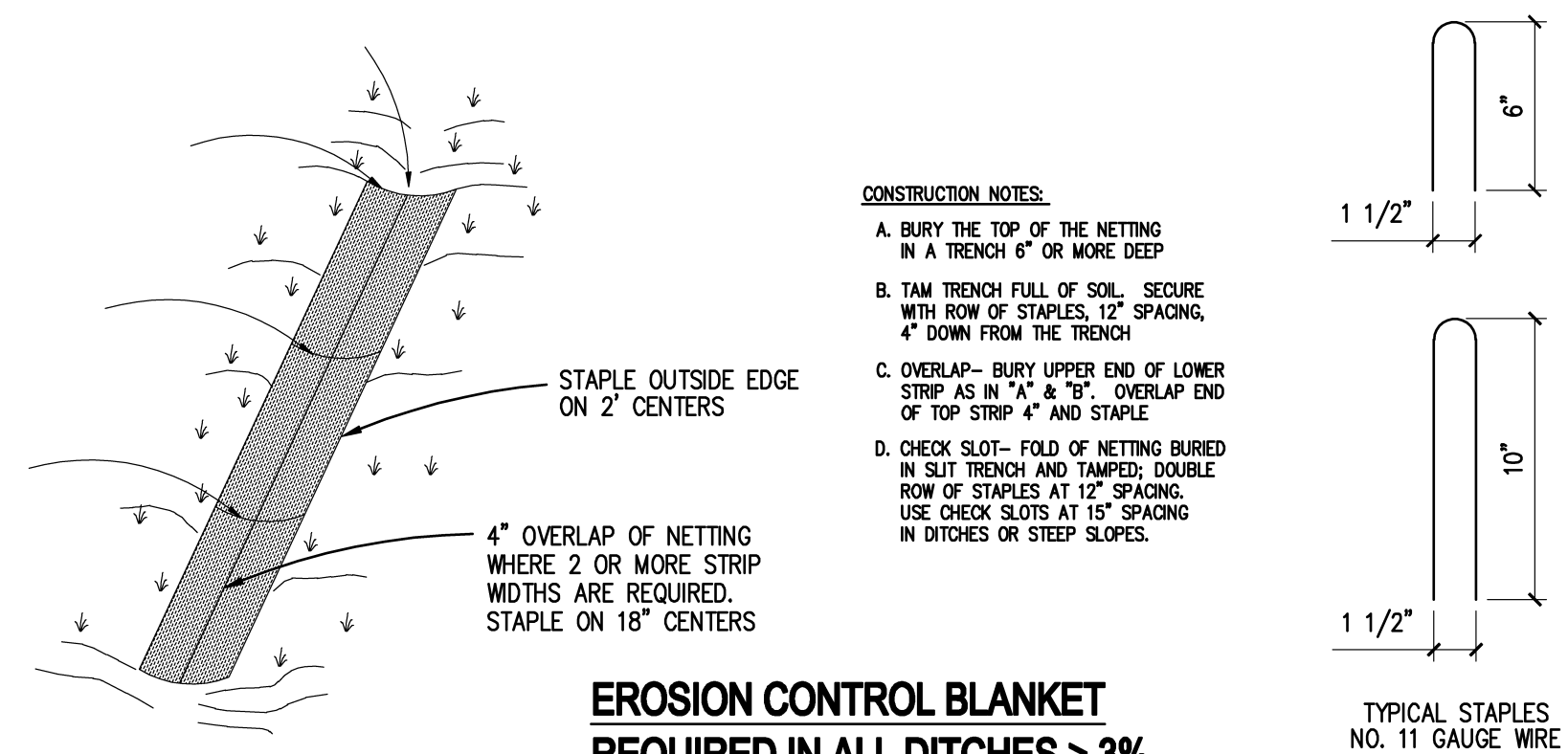
- LONG-TERM PROVISIONS FOR PERMANENT MAINTENANCE OF ALL EROSION AND SEDIMENTATION CONTROL FACILITIES AFTER ACCEPTANCE OF THE PROJECT SHALL BE THE RESPONSIBILITY OF THE OWNER OR THEIR DESIGNEE. SUCH RESPONSIBILITIES INCLUDE BUT ARE NOT LIMITED TO THOSE DETAILED AS FOLLOWS:
 - PARKING LOT SHALL BE MECHANICALLY SWEEPED TWICE PER YEAR. THE FIRST SHALL TAKE PLACE IN THE MID WINTER (JANUARY THRU) TO REMOVE ACCUMULATED SANDS FROM WINTER STANDING TO THIS POINT. THE SECOND SWEEPING SHALL TAKE PLACE AFTER WINTER SANDING OPERATIONS TERMINATE BUT PRIOR TO MAY 1.
 - INSPECTION OF STORMWATER OUTLET STRUCTURE SHOULD BE CONDUCTED TWICE PER YEAR. ACCESS TO THE STRUCTURE IS THROUGH THE TOP. THE OIL/WATER SEPARATOR UNIT SHALL BE PUMPED DOWN AND THE SEDIMENT AND TRASH SHALL BE REMOVED AT THE TIME OF THE INSPECTION. THE REMOVAL OF ALL SEDIMENT AND TRASH WILL HELP MINIMIZE VOLUME LOSS.
- THE OWNER SHALL FILE A YEARLY MAINTENANCE REPORT TO THE CITY DOCUMENTING THE REQUIRED MAINTENANCE FOR THE STORMWATER SYSTEM.



- UNROLL MAT ONTO GROUND IN DIRECTION OF WATER FLOW.
- MAT SHOULD LIE FLAT. DO NOT STRETCH MAT OVER GROUND. STRETCHING MAY CAUSE MAT TO BRIDGE DEPRESSIONS IN THE SURFACE AND ALLOW EROSION UNDERNEATH.
- BURY TRANSVERSE TERMINAL ENDS OF MAT TO SECURE AND PREVENT EROSION UNDERNEATH.
- SECURE MAT SNUGLY INTO ALL TRANSVERSE CHECK SLOTS.
- BACKFILL AND COMPACT TRENCHES AND CHECK SLOTS AFTER STAKING THE MAT IN BOTTOM OF TRENCH.
- OVERLAP ROLL ENDS BY THREE (3) FEET (MIN.) WITH UPSLOPE MAT ON TOP TO PREVENT UPLIFT OF MAT END BY WATER FLOW. IF INSTALLING IN THE DIRECTION OF A CONCENTRATED WATER FLOW, START NEW ROLLS IN A TRANSVERSE DITCH.
- OVERLAP ADJACENT EDGES OF MAT BY THREE (3) INCHES (MIN.) AND STAKE.
- WOOD STAKES ARE RECOMMENDED FOR PINNING MAT TO THE GROUND SURFACE. STAKES SHOULD BE 1" X 3" NOMINAL STOCK CUT IN A TRIANGULAR SHAPE. STAKES SHOULD BE 12" TO 18" LONG, DEPENDING ON SOIL DENSITY.
- DRIVE WOODEN STAKES TO WITHIN THREE (3) INCHES OF GROUND SURFACE. DO NOT DRIVE FLUSH TO SURFACE.
- IN ALL TRANSVERSE TERMINAL TRENCHES AND CHECK SLOTS, STAKE EACH MAT AT ITS CENTER AND OVERLAP EDGES BEFORE BACKFILLING AND COMPACTING.
- STAKE OVERLAPS LONGITUDINALLY AT THREE (3) TO FIVE (5) FOOT INTERVALS.
- FOLLOW COLORED DOT PATTERNS BY MANUFACTURER

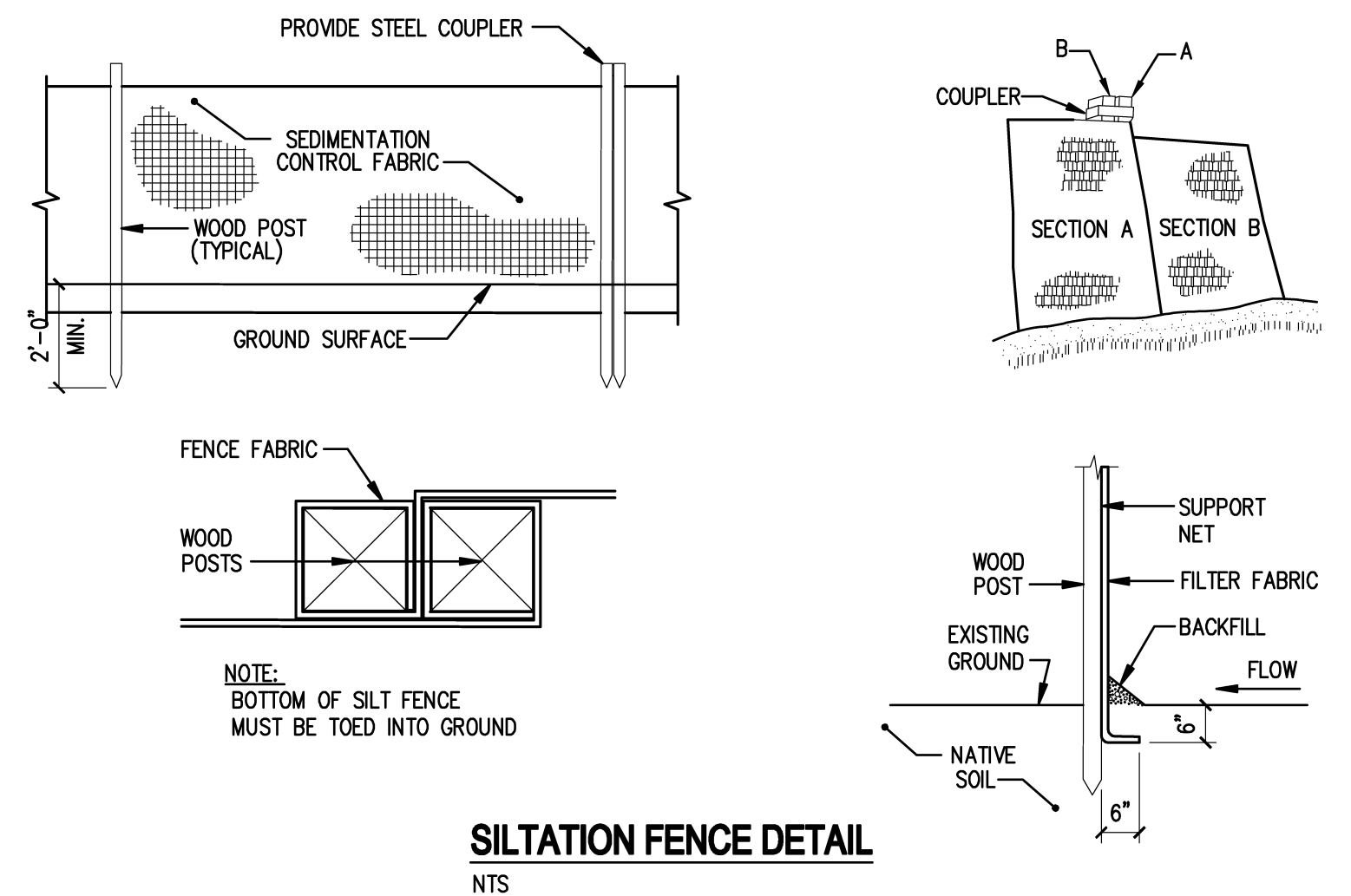
REQUIRED ON ALL SLOPES > 8% (WINTER CONSTRUCTION)
REQUIRED ON ALL SLOPES > 15% (SUMMER CONSTRUCTION)

**EROSION CONTROL BLANKET
GENERAL INSTALLATION GUIDELINES ON SLOPES**



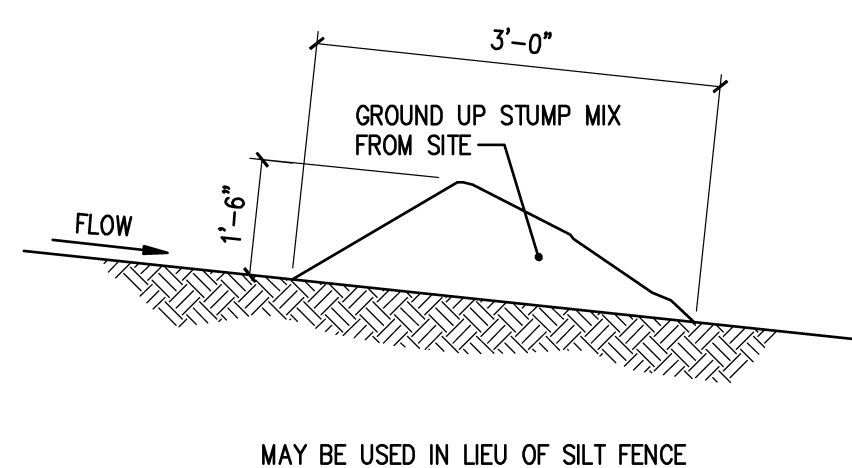
**EROSION CONTROL BLANKET
REQUIRED IN ALL DITCHES > 3%**

NOTE: GRADING PLAN GOVERNS IN ALL LOCATIONS



SILTATION FENCE DETAIL

NTS



EROSION CONTROL MIX DETAIL

NTS.

SILTATION FENCE INSTALLATION

- EXCAVATE A 6"x6" TRENCH ALONG THE LINE OF PLACEMENT FOR THE FILTER BARRIER.
- UNROLL A SECTION AT A TIME AND POSITION THE POSTS AGAINST THE BACK (DOWNSTREAM) WALL OF THE TRENCH.
- DRIVE POSTS INTO THE GROUND UNTIL APPROXIMATELY 2" OF FABRIC IS LYING ON THE TRENCH BOTTOM. JOIN SECTION AS SHOWN ABOVE.
- LAY THE TOE-IN FLAP OF FABRIC ONTO THE UNDISTURBED BOTTOM OF THE TRENCH, BACKFILL THE TRENCH AND TAMP THE SOIL. TOE-IN CAN ALSO BE ACCOMPLISHED BY LAYING THE FABRIC FLAP ON UNDISTURBED GROUND AND PILING AND TAMPING FILL AT THE BASE, BUT MUST BE ACCOMPLISHED BY AN INTERCEPTION DITCH.
- BARRIER SHALL BE MIRAFI SILT FENCE OR APPROVED EQUAL.

NTS

EROSION CONTROL DETAILS

CASCO BAY ENGINEERING
424 Fore Street
Portland, ME 04101
Phone 207.842.2800
Fax 207.842.2828
www.cascobayengineering.com

Mitchell & Associates
LANDSCAPE ARCHITECTS
The Shattuck School, 70 Center Street, Portland, Maine 04101
Phone: 207.754.4277 Fax: 207.754.5497

CWS ARCHITECTS
CWS ARCHITECTS
1000 BROADWAY
SUITE 200
PORTLAND, ME 04101
TEL: (207) 772-0700
www.cwsarchitects.com

shinberg CONSULTING, LLC

CLIENT: BAYSIDE MAINE, LLC
477 CONGRESS STREET
SUITE 1012
PORTLAND, ME 04101
TEL: (207) 772-0700
CONTACT: GREG SHINBERG



645 CONGRESS STREET
PORTLAND
MAINE
BUILDING RENOVATION

NO.	DATE	ISSUE
A	2-3-09	PLANNING REVIEW
B	3-17-09	PLANNING REVIEW
C	4-7-09	PLANNING REVIEW
D	4-21-09	PLANNING REVIEW
E	5-4-09	FINAL PLANNING REVIEW
F	5-27-09	ISSUED FOR BIDDING AND PERMITTING
G	6-8-09	ADDENDUM #2
H		

SHEET TITLE:

EROSION CONTROL DETAILS

DESIGNED:	ED
DRAWN:	ED
DATE:	1-29-09
CADD FILE:	8104-C1.DWG
PROJECT NUMBER:	8104

C4