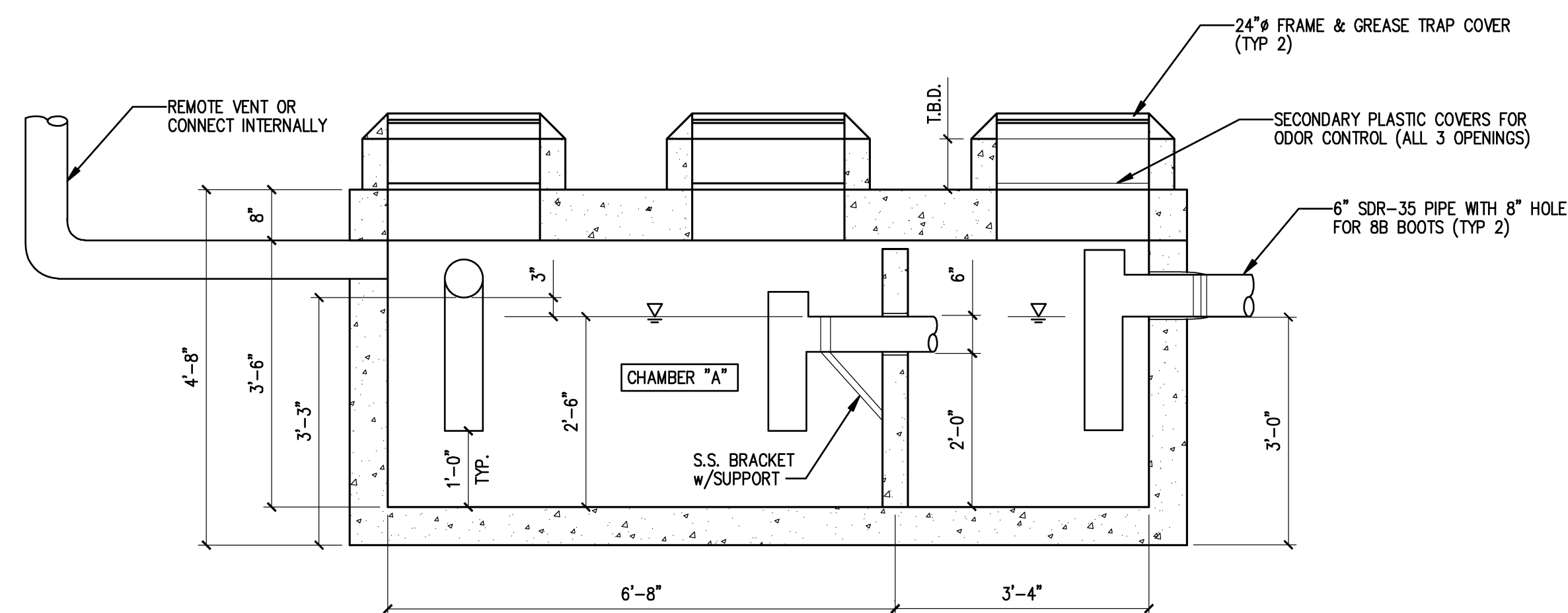


NOTE:
THIS DETAIL IS SHOWN FOR REFERENCE ONLY AT THIS TIME. A GREASE TRAP WILL NEED TO BE SIZED ACCORDING TO CITY OF PORTLAND STANDARDS "IF AND WHEN" A RESTAURANT TENANT WILL OCCUPY SPACE AT THE SUBJECT PROPERTY. AT THE TIME OF SUCH OCCUPANCY, THE GREASE TRAP WILL NEED TO BE INSTALLED TO THE CITY OF PORTLAND STANDARDS.

TOP VIEW



FRONT VIEW

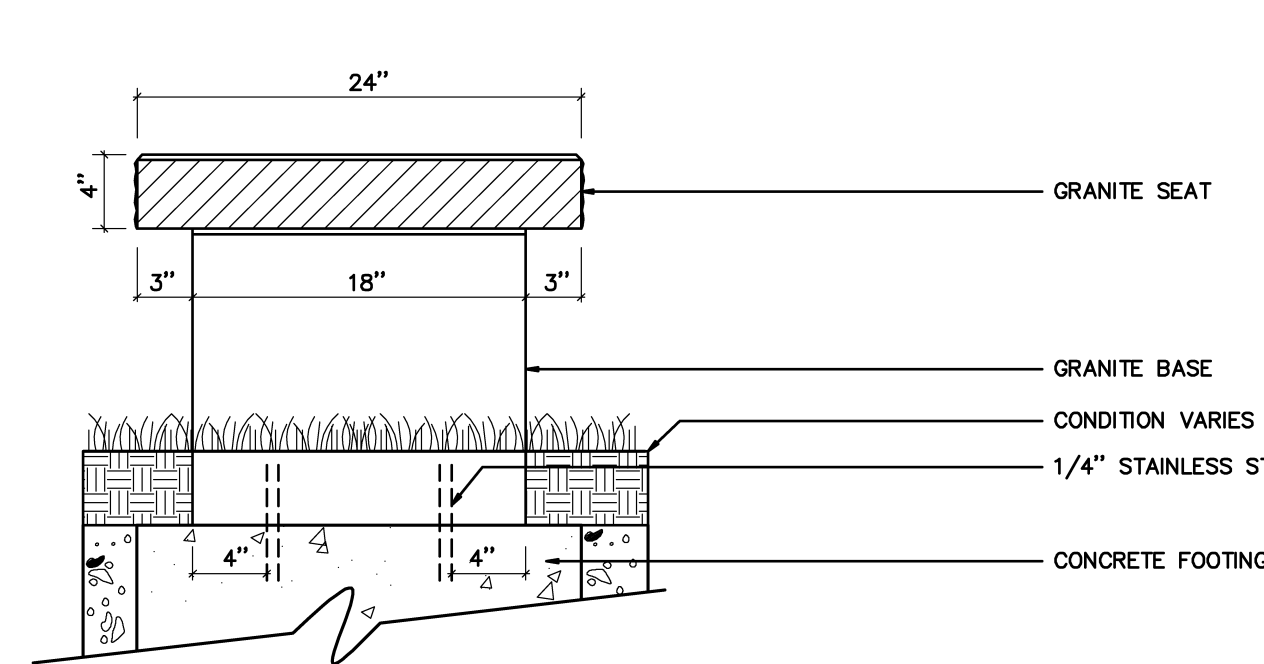
THIS STRUCTURE MUST DISCHARGE TO A CITY OF PORTLAND STANDARD MANHOLE WITH CHANNEL (CONTROL/SAMPLING M/H).
FORMULA FOR SIZING THE TRAP: CHAMBER "A" (2/3 OF TANK VOLUME) MUST BE EQUIVALENT TO THE AVERAGE DAILY PROCESS FLOW FROM THE FACILITY WITH NO SANITARY OR OTHER EXTRANEIOUS WASTES FLOWING THOUGH IT.
CONTRACTOR SHALL REFER TO THE CITY OF PORTLAND DESIGN GUIDELINES, SECTIONS I AND II.

- DESIGN NOTES
1. CONCRETE 28-DAY STRENGTH SHALL BE 5000 PSI.
 2. TANK SHALL HAVE DESIGN STRENGTH OF H-20 LOADING.
 3. JOINTS SHALL BE SEALED WITH BUTYL RUBBER JOINT SEALANT. AASHTO M-19.
 4. ALL TEES/BAFFLES PROVIDED BY PRECAST FABRICATOR.

PRECAST 1000 GALLON GREASE TRAP DETAIL

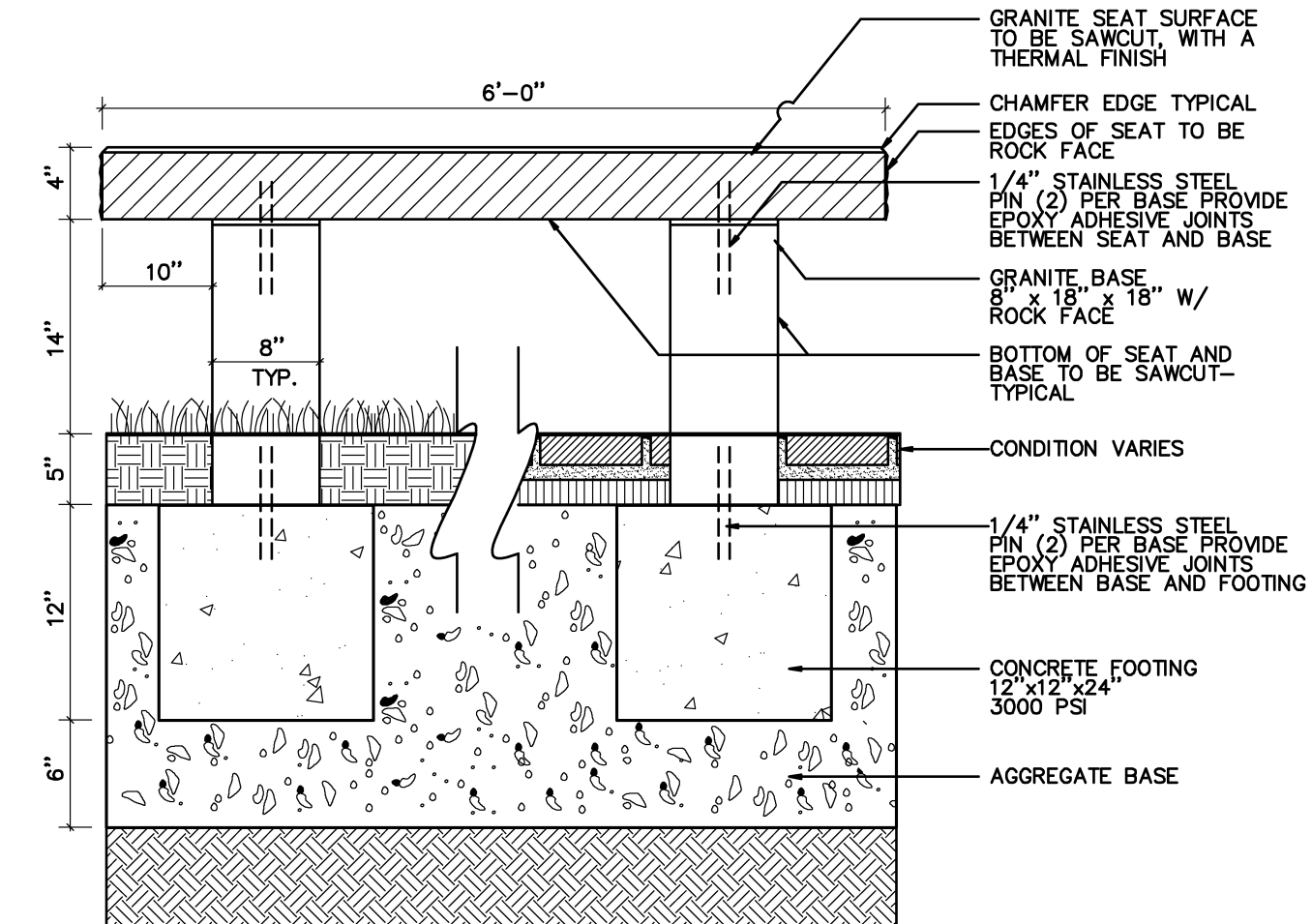
NOT IN CONTRACT

NTS



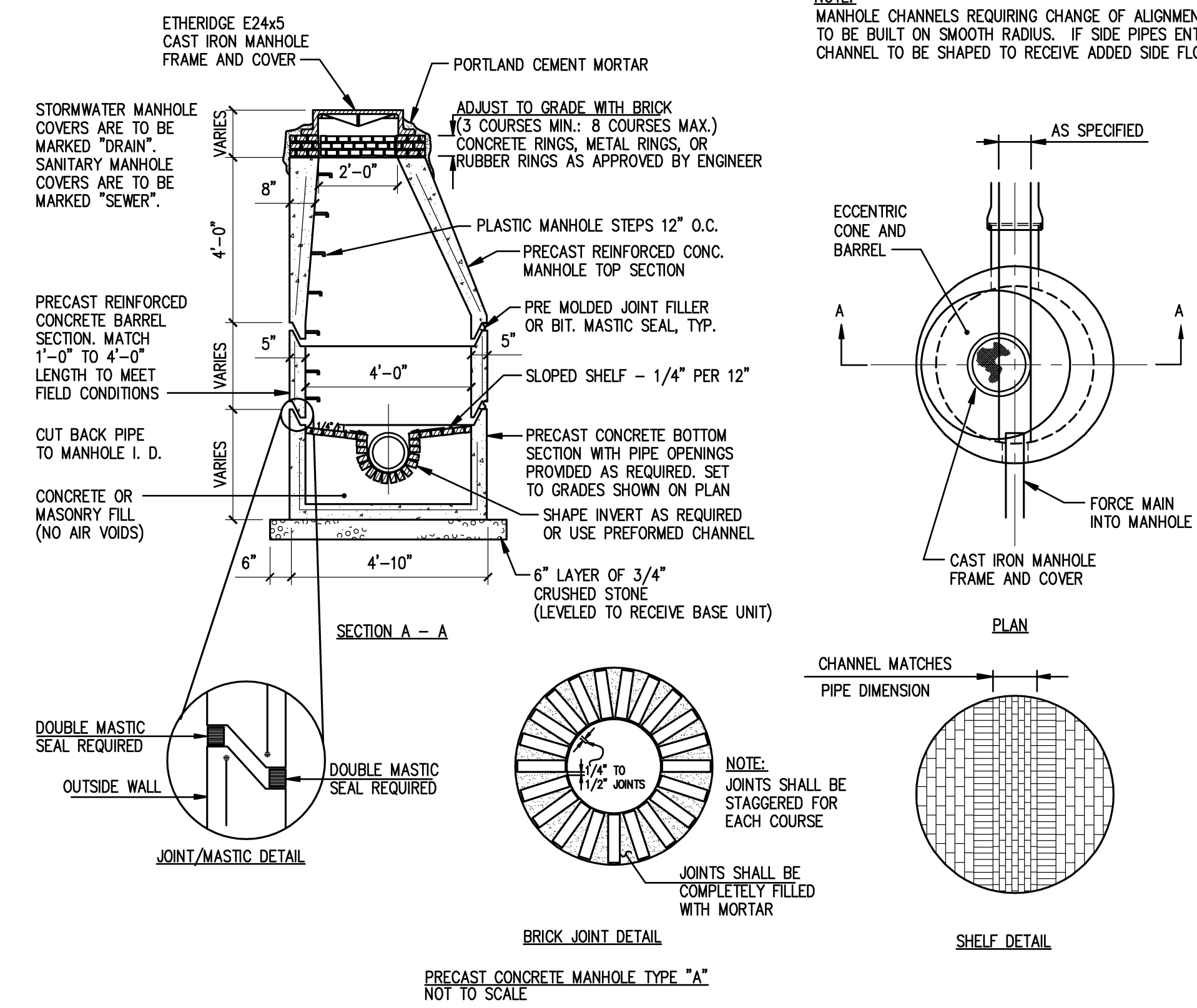
GRANITE BENCH DETAIL

NTS



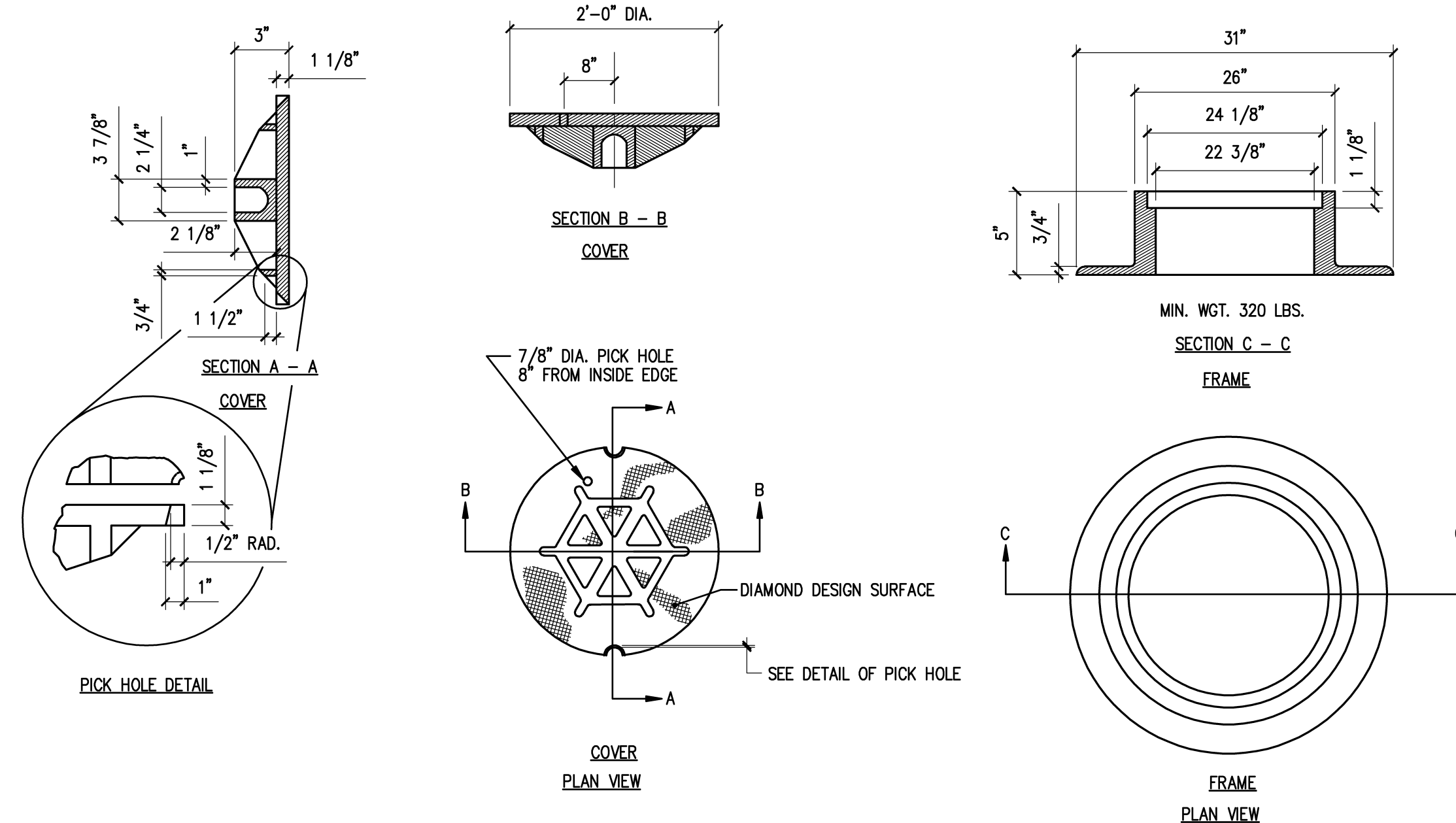
TYPE "A" MANHOLE COVER AND FRAME

NTS



PRECAST CONCRETE MANHOLE TYPE "A"

NTS



NOTE:
ALL MANHOLE COVERS SHALL BE SOLID AND SHALL HAVE ONE 7/8" DIAMETER DRILLED PICK HOLE, LOCATED 8" FROM THE CENTER OF THE COVER.
ALL SANITARY MANHOLE COVERS SHALL HAVE "SEWER" CAST INTO THE COVER. ALL STORMWATER/RAIN MANHOLE COVERS SHALL HAVE "DRAIN" CAST INTO THE COVER.

CASCO BAY ENGINEERING
424 Fore Street
Portland, ME 04101
Phone 207.842.2800
Fax 207.842.2828
www.cascobayengineering.com

Mitchell & Associates
LANDSCAPE ARCHITECTS
The Starline School, 70 Center Street, Portland, Maine 04101
Phone: 607.754.6277 Fax: 207.874.5545

CWS ARCHITECTS
CIVIL ENGINEERS
100 Commercial Street, Portland, ME 04101
Phone: 207.842.2828 Fax: 207.842.2828

shinberg CONSULTING, LLC

CLIENT:
BAYSIDE MAINE, LLC
477 CONGRESS STREET
SUITE 1012
PORTLAND, ME 04101
TEL: (207) 772-7070
CONTACT: GREG SHINBERG



645 CONGRESS STREET
PORTLAND
MAINE
BUILDING RENOVATION

NO.	DATE	ISSUE
A	4-7-09	ISSUED FOR BIDDING AND PERMITTING
B	4-21-09	FINAL PLANNING REVIEW
C	5-4-09	PLANNING REVIEW
D	5-27-09	APPENDIX #2
E	6-8-09	
F		
G		
H		

SHEET TITLE:

SITE DETAILS, SHEET 3

DESIGNED:	ED
DRAWN:	ED
DATE:	1-29-09
CADD FILE:	8104-C1.DWG
PROJECT NUMBER:	8104

C3.2