

CWS Architects

Architecture
Space Planning
Value Design

434 Cumberland Avenue
Portland, ME 04101
Phone: (207)774-4441
Fax: (207)774-4016
www.CWSarch.com

Development Consultant:
BAYSIDE
MAINE LLC.
477 CONGRESS ST
SUITE 002
PORTLAND MAINE 04101



647 A - 647 B
FIT UP

RENOVATIONS TO
645 CONGRESS ST.
PORTLAND, ME 04101

Project No: 08.436

Drawing Title:

DOOR ELEVATIONS
AND SCHEDULE

Scale: AS NOTED
Date: 08-20-10

Revisions:

- Revisions list with triangles and numbers

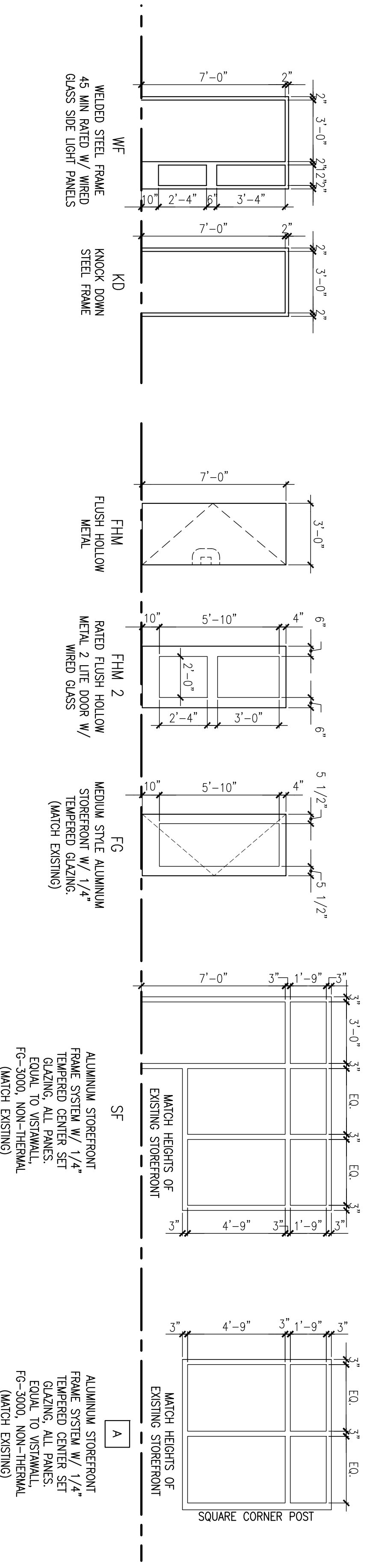
Drawing Number:

A2.0

Table with 10 columns: ITEM NO., W, H, T, DOOR TYPE, FRAME TYPE, LOCK FUNCTION, HARDWARE, LABEL, REMARKS. Contains 6 rows of door specifications.

1 DOOR AND HARDWARE SCHEDULE

SCALE: NTS



2 DOORS, FRAMES, AND STORE FRONT ELEVATIONS

SCALE: 1/4"=1'-0"

ISSUED FOR PERMIT