

Submittal

Job: 1523
667 Congress
667 Congress Street
Portland, ME

Spec Section No: M6-0

Submittal No: 1

Revision No: 2

Sent Date:

Spec Section Title:

Submittal Title: Rooftop Units

Contractor:

Ranor Mechanical
Wes Sirois

Contractor's Stamp

GC (Primary):

PC Construction

Architect's Stamp

Engineer's Stamp

No Exceptions Taken:

No Comments:



Tag: **MAU-1**
 Project Number: 1735
 Project Name: **32646**
 Representative: Taz Roopnarine
 Location:

Comments:

Unit Information Package Unit - DOAS

Model:	PROA	Unit Length:	in	Weight Operating:	lb
Size:	84 B1	Unit Width:	in		
Quantity:	1	Unit Height:	in		

Note: *Dimensions and weight are for base unit only and do not include Exhaust and ECW options. See catalog for dimensions and weights.*

Design Conditions

Supply Airflow:	1540 CFM	Ambient Air DB:	87.0 F
Outside Airflow:	1540 CFM		

Cooling Performance

Gross Total Capacity:	86.5 MBh	Evaporator Face Area:	4.72 sq ft
Gross Sensible Capacity:	54.5 MBh	Evaporator Rows:	6
Net Total Capacity:	82.9 MBh	Evaporator FPI:	12
Net Sensible Capacity:	50.9 MBh	Condenser Face Area:	13.5 sq ft
Entering Air DB / WB (Coil):	87.0 / 72.0 F	Condenser Rows:	3
Leaving Air DB / WB (Coil):	55.1 / 55.0 F	Condenser FPI:	12
Leaving Air DB / WB (Subcooling):	/ F		
Leaving Air DB / WB (Max. Reheat):	85.3 / 66.0 F	Air Velocity:	326 fpm
Leaving Air DB / WB (Unit):	87.5 / 66.7 F	Cooling Coil Air PD:	0.42 in H2O
EER:	13.2		
Watts:	6269.0 / 6269.0		

Heating Performance

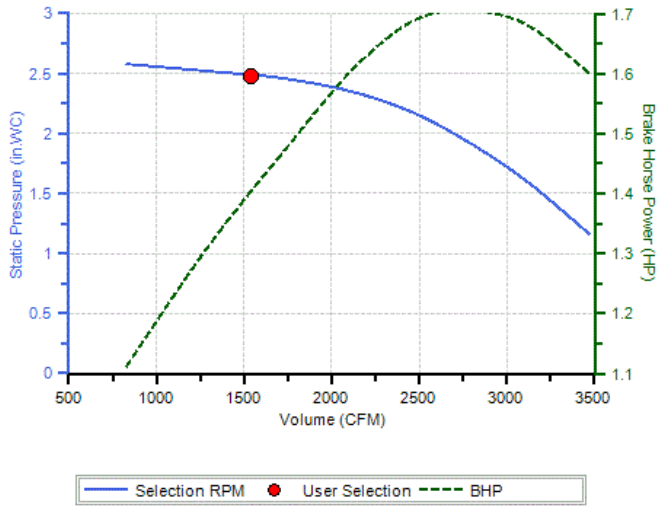
Heat Type:	Gas	Entering Air DB:	1.0 F
Input Capacity:	150.0 MBh	Leaving Air DB:	73.2 F
Output Capacity:	120.0 MBh	Heating Coil Air PD:	in H2O



Tag: **MAU-1**
Project Number: 1735
Project Name: **32646**
Representative: Taz Roopnarine
Location:

Comments:

Supply Fan GKHM 450



Supply Pressure Drop Summary

External Static Pressure:	1.00	in H2O
Internal Pressure Drop:	1.48	in H2O
<hr/>		
Total Static Pressure:	2.48	in H2O

Supply Fan Conditions

Fan Motor BHP:	1.40	BHP
Fan RPM:	1550	RPM



Tag: **MAU-1**
 Project Number: 1735
 Project Name: **32646**
 Representative: Taz Roopnarine
 Location:

Comments:

Unit Electrical Data

Unit Voltage-Ph-Hz: **208-3-60**
 Unit Amps - FLA: **33.5** Amps
 Min Circuit Ampacity - MCA: **39.3** Amps
 Maximum Fuse Size - MFS: **60** Amps

Motors

<u>Name/Type</u>	<u>Fan Service</u>	<u>Qty</u>	<u>HP (ea.)</u>	<u>FLA (ea.)</u>	<u>RLA (ea.)</u>	<u>LRA (ea.)</u>
Digital Scroll		1			23.2	164.0
ECM -450	Supply	1	3.8	7.5		
Condenser Fan Motor	Condenser	1	1	2.8		

Notes

1. See project schedule for selected options for this selection.
2. See catalog for dimensions and weight.
3. For dual point power connections (electric heat), Unit Electrical Data does not include electric heat power requirements.



Comments:

Tag: **MAU-1**
Project Number: 1735
Project Name: **32646**
Representative: Taz Roopnarine
Location:

Terms of Use

These Terms of Use are a contract between you and Addison. By using any electronic media we produce for equipment sizing, design, selection and pricing ("Electronic Media"), you are agreeing to be bound by the following terms and conditions ("Terms of Use"). If you do not agree to these Terms of Use, do not use any Electronic Media we produce; instead, promptly return it to Addison. This contract is effective until terminated by Addison. This contract will be terminated immediately and without notice in the event that you fail to comply with any term or condition hereof.

1. Ownership of Content.

The Electronic Media is owned by Addison. The media can be in any form such as an actual CD that has to be installed or electronic file that has to be downloaded. The visual interfaces, graphics, design, compilation, information, computer code (including source code or object code), products, software, services, and all other elements of the Electronic Media (the "Materials") are protected by United States copyright, trade dress, patent, and trademark laws, international conventions, and all other relevant intellectual property and proprietary rights, and applicable laws. All Materials contained on the Electronic Media are the property of Addison or its subsidiaries or affiliated companies and/or third-party licensors. All trademarks, logos and service marks displayed on the Electronic Media, whether registered or unregistered, are owned exclusively by Addison or its affiliates and/or other third parties. Nothing contained in these Terms of Use, nor your use of the Materials, shall be construed as granting you any license or right in or to any trademark, logo, or service mark. Addison reserves all rights not expressly granted in this Terms of Use.

2. License

Addison hereby grants you a nontransferable, nonexclusive license to use the Materials contained on the Electronic Media solely for your information and own personal, noncommercial use, to be used with a single computer at a single location. You may download and/or print a single copy of any of the Materials contained herein for your personal use; however, you shall not otherwise reproduce, display, publish, distribute, sell, license, or modify the Materials or incorporate the Materials into other documents, Electronic Media, or publications. This license is not a sale of the electronic Media or any copy thereof. Addison retains the title and ownership of the Electronic Media and all copies, regardless of the form or media on or in which the original or any copy may exist. You may not copy, encourage or allow copying of the Electronic Media, except when you make a single copy for archival purposes only. You may be held legally responsible for any copyright infringement which is caused or encouraged by your failure to abide by this Terms of Use. You may not transfer, convey, rent, sublicense, or otherwise distribute the Electronic Media or accompanying documentation, or any rights therein to any person or entity. Any attempt to so distribute the Electronic Media or accompanying documentation shall be void.

3. Modification of these Terms of Use; Termination.

Addison reserves the right, at our discretion, to change, modify, add, or remove portions of these Terms of Use at any time.

4. Disclaimer of Warranties

The Electronic Media and Materials may contain inaccuracies and/or typographical errors. The Electronic Media and Materials are provided to you on an "AS IS" basis. ADDISON DISCLAIMS ANY AND ALL WARRANTIES EXPRESSED, STATUTORY OR IMPLIED WITH RESPECT TO THE ELECTRONIC MEDIA OR THE MATERIALS, INCLUDING BUT NOT LIMITED TO ANY IMPLIED WARRANTIES OF MERCHANTABILITY, NON-INFRINGEMENT OR THIRD PARTY RIGHTS AND FITNESS FOR A PARTICULAR PURPOSE.

5. Limitation of Liability and Damages

Addison does not warrant, guarantee or make any representations regarding the use or the results of the Electronic Media in terms of its correctness, accuracy, performance, reliability or otherwise. The entire risk as to the results and performance of the Electronic Media is assumed by you. This Electronic Media is merely a tool to aid you, the results of which should be checked against your own calculations. Addison makes no warranties, express or implied including without limitation the implied warranties of merchantability and fitness for a particular purpose. TO THE FULLEST EXTENT ALLOWED BY APPLICABLE LAW, ADDISON HEREBY DISCLAIMS, AND IN NO EVENT SHALL ADDISON OR ANY PARTY INVOLVED IN CREATING OR PRODUCING THE ELECTRONIC MEDIA, BE LIABLE FOR ANY DIRECT, INDIRECT OR CONSEQUENTIAL DAMAGES RESULTING FROM LOSS RELATED TO THE USE OF THE ELECTRONIC MEDIA OR ANY MATERIALS, WHETHER IN AN ACTION OF CONTRACT, NEGLIGENCE, OR OTHER TORTUOUS ACTION, EVEN IF ADDISON HAS BEEN ADVISED OF THE POSSIBILITY OF SUCH DAMAGES, INCLUDING DAMAGES FOR LOSS OF BUSINESS PROFITS, BUSINESS INTERRUPTIONS, LOSS OF BUSINESS INFORMATION AND THE LIKE, ARISING OUT THE USE OR LIABILITY TO USE THE ELECTRONIC MEDIA. FURTHERMORE, ADDISON SHALL NOT BE LIABLE FOR ANY DAMAGES TO YOUR PROPERTY OR LOSS OF DATA THAT RESULTS FROM THE DOWNLOAD OR USE OF THE MATERIALS.

6. Indemnification

You agree to indemnify, save, and hold ADDISON, its affiliated companies, contractors, employees, agents and its third-party suppliers, licensors, and partners harmless from any claims, losses, damages, liabilities, including legal fees and expenses, arising out of your use or misuse of the ELECTRONIC MEDIA, any violation by you of these Terms of Use, or any breach of the representations, warranties, and covenants made by you herein. ADDISON reserves the right, at your expense, to assume the exclusive defense and control of any matter for which you are required to indemnify ADDISON, and you agree to cooperate with ADDISON's defense of these claims. ADDISON will use reasonable efforts to notify you of any such claim, action, or proceeding upon becoming aware of it.

7. Miscellaneous

These Terms of Use constitute the entire agreement between you and ADDISON and govern your use of the ELECTRONIC MEDIA, superseding any prior agreements between you and ADDISON (including, but not limited to, any prior versions of the Terms of Use) and any prior representations by ADDISON. These Terms of Use shall be governed by and construed in accordance with the laws of the State of New York, without regard to conflicts of law principles. The failure of ADDISON to exercise or enforce any right or provision of the Terms of Use shall not constitute a waiver of such right or provision. If any provision of the Terms of Use is found by a court of competent jurisdiction to be invalid, the parties nevertheless agree that the court should endeavor to give effect to the parties' intentions as reflected in the provision, and the other provisions of the Terms of Use remain in full force and effect. You agree that regardless of any statute or law to the contrary, any claim or cause of



Comments:

Tag: **MAU-1**
Project Number: 1735
Project Name: **32646**
Representative: Taz Roopnarine
Location:

action brought against ADDISON and its subsidiaries, affiliates, officers, agents, co-branders or other partners and employees, arising out of or related to use of the ELECTRONIC MEDIA or the Terms of Use must be filed within one (1) year after such claim or cause of action arose or be forever barred. The section titles in the Terms of Use are for convenience only and have no legal or contractual effect.

8. In the Event of Merger or Sale

In the event that ADDISON is acquired by or merged with a third-party entity, we reserve the right, in any of these circumstances, to transfer or assign the information that we have collected from Users as part of such merger, acquisition, sale, or other change of control.

9. ADDISON Contact Information:

Please contact ADDISON with any questions or comments about this Terms of Use at: "Contact Us" <http://www.addison-hvac.com/>.



Tag: **MAU-2**
 Project Number: 1735
 Project Name: **32646**
 Representative: Taz Roopnarine
 Location:

Comments:

Unit Information Package Unit - DOAS

Model:	PROA	Unit Length:	113 in	Weight Operating:	1880 lb
Size:	48 A1	Unit Width:	64 in		
Quantity:	1	Unit Height:	60.375 in		

Note: *Dimensions and weight are for base unit only and do not include Exhaust and ECW options. See catalog for dimensions and weights.*

Design Conditions

Supply Airflow:	1085 CFM	Ambient Air DB:	87.0 F
Outside Airflow:	1085 CFM		

Cooling Performance

Gross Total Capacity:	54.9 MBh	Evaporator Face Area:	2.78 sq ft
Gross Sensible Capacity:	36.1 MBh	Evaporator Rows:	6
Net Total Capacity:	52.7 MBh	Evaporator FPI:	12
Net Sensible Capacity:	33.9 MBh	Condenser Face Area:	10 sq ft
Entering Air DB / WB (Coil):	87.0 / 72.0 F	Condenser Rows:	4
Leaving Air DB / WB (Coil):	57.0 / 57.0 F	Condenser FPI:	14
Leaving Air DB / WB (Subcooling):	/ F		
Leaving Air DB / WB (Max. Reheat):	84.2 / 66.7 F	Air Velocity:	390 fpm
Leaving Air DB / WB (Unit):	86.1 / 67.2 F	Cooling Coil Air PD:	0.57 in H2O
EER:	15.9		
Watts:	3315.0 / 3315.0		

Heating Performance

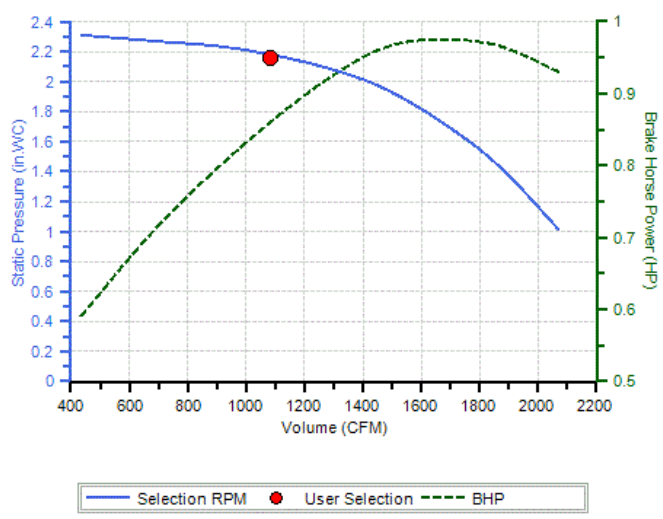
Heat Type:	Gas	Entering Air DB:	1.0 F
Input Capacity:	100.0 MBh	Leaving Air DB:	69.3 F
Output Capacity:	80.0 MBh	Heating Coil Air PD:	in H2O



Tag: **MAU-2**
Project Number: 1735
Project Name: **32646**
Representative: Taz Roopnarine
Location:

Comments:

Supply Fan GKHM 355



Supply Pressure Drop Summary

External Static Pressure:	1.00	in H2O
Internal Pressure Drop:	1.16	in H2O
<hr/>		
Total Static Pressure:	2.16	in H2O

Supply Fan Conditions

Fan Motor BHP:	0.86	BHP
Fan RPM:	1885	RPM



Comments:

Tag: MAU-2
Project Number: 1735
Project Name: 32646
Representative: Taz Roopnarine
Location:

Unit Electrical Data

Unit Voltage-Ph-Hz: 208-3-60
Unit Amps - FLA: 25.1 Amps
Min Circuit Ampacity - MCA: 29.1 Amps
Maximum Fuse Size - MFS: 45 Amps

Motors

<u>Name/Type</u>	<u>Fan Service</u>	<u>Qty</u>	<u>HP (ea.)</u>	<u>FLA (ea.)</u>	<u>RLA (ea.)</u>	<u>LRA (ea.)</u>
Digital Scroll		1			16.1	110.0
ECM -355	Supply	1	2.5	6.6		
Condenser Fan Motor	Condenser	1	0.97	2.4		

Notes

1. See project schedule for selected options for this selection.
2. See catalog for dimensions and weight.
3. For dual point power connections (electric heat), Unit Electrical Data does not include electric heat power requirements.



Comments:

Tag: **MAU-2**
Project Number: 1735
Project Name: **32646**
Representative: Taz Roopnarine
Location:

Terms of Use

These Terms of Use are a contract between you and Addison. By using any electronic media we produce for equipment sizing, design, selection and pricing ("Electronic Media"), you are agreeing to be bound by the following terms and conditions ("Terms of Use"). If you do not agree to these Terms of Use, do not use any Electronic Media we produce; instead, promptly return it to Addison. This contract is effective until terminated by Addison. This contract will be terminated immediately and without notice in the event that you fail to comply with any term or condition hereof.

1. Ownership of Content.

The Electronic Media is owned by Addison. The media can be in any form such as an actual CD that has to be installed or electronic file that has to be downloaded. The visual interfaces, graphics, design, compilation, information, computer code (including source code or object code), products, software, services, and all other elements of the Electronic Media (the "Materials") are protected by United States copyright, trade dress, patent, and trademark laws, international conventions, and all other relevant intellectual property and proprietary rights, and applicable laws. All Materials contained on the Electronic Media are the property of Addison or its subsidiaries or affiliated companies and/or third-party licensors. All trademarks, logos and service marks displayed on the Electronic Media, whether registered or unregistered, are owned exclusively by Addison or its affiliates and/or other third parties. Nothing contained in these Terms of Use, nor your use of the Materials, shall be construed as granting you any license or right in or to any trademark, logo, or service mark. Addison reserves all rights not expressly granted in this Terms of Use.

2. License

Addison hereby grants you a nontransferable, nonexclusive license to use the Materials contained on the Electronic Media solely for your information and own personal, noncommercial use, to be used with a single computer at a single location. You may download and/or print a single copy of any of the Materials contained herein for your personal use; however, you shall not otherwise reproduce, display, publish, distribute, sell, license, or modify the Materials or incorporate the Materials into other documents, Electronic Media, or publications. This license is not a sale of the electronic Media or any copy thereof. Addison retains the title and ownership of the Electronic Media and all copies, regardless of the form or media on or in which the original or any copy may exist. You may not copy, encourage or allow copying of the Electronic Media, except when you make a single copy for archival purposes only. You may be held legally responsible for any copyright infringement which is caused or encouraged by your failure to abide by this Terms of Use. You may not transfer, convey, rent, sublicense, or otherwise distribute the Electronic Media or accompanying documentation, or any rights therein to any person or entity. Any attempt to so distribute the Electronic Media or accompanying documentation shall be void.

3. Modification of these Terms of Use; Termination.

Addison reserves the right, at our discretion, to change, modify, add, or remove portions of these Terms of Use at any time.

4. Disclaimer of Warranties

The Electronic Media and Materials may contain inaccuracies and/or typographical errors. The Electronic Media and Materials are provided to you on an "AS IS" basis. ADDISON DISCLAIMS ANY AND ALL WARRANTIES EXPRESSED, STATUTORY OR IMPLIED WITH RESPECT TO THE ELECTRONIC MEDIA OR THE MATERIALS, INCLUDING BUT NOT LIMITED TO ANY IMPLIED WARRANTIES OF MERCHANTABILITY, NON-INFRINGEMENT OR THIRD PARTY RIGHTS AND FITNESS FOR A PARTICULAR PURPOSE.

5. Limitation of Liability and Damages

Addison does not warrant, guarantee or make any representations regarding the use or the results of the Electronic Media in terms of its correctness, accuracy, performance, reliability or otherwise. The entire risk as to the results and performance of the Electronic Media is assumed by you. This Electronic Media is merely a tool to aid you, the results of which should be checked against your own calculations. Addison makes no warranties, express or implied including without limitation the implied warranties of merchantability and fitness for a particular purpose. TO THE FULLEST EXTENT ALLOWED BY APPLICABLE LAW, ADDISON HEREBY DISCLAIMS, AND IN NO EVENT SHALL ADDISON OR ANY PARTY INVOLVED IN CREATING OR PRODUCING THE ELECTRONIC MEDIA, BE LIABLE FOR ANY DIRECT, INDIRECT OR CONSEQUENTIAL DAMAGES RESULTING FROM LOSS RELATED TO THE USE OF THE ELECTRONIC MEDIA OR ANY MATERIALS, WHETHER IN AN ACTION OF CONTRACT, NEGLIGENCE, OR OTHER TORTUOUS ACTION, EVEN IF ADDISON HAS BEEN ADVISED OF THE POSSIBILITY OF SUCH DAMAGES, INCLUDING DAMAGES FOR LOSS OF BUSINESS PROFITS, BUSINESS INTERRUPTIONS, LOSS OF BUSINESS INFORMATION AND THE LIKE, ARISING OUT THE USE OR LIABILITY TO USE THE ELECTRONIC MEDIA. FURTHERMORE, ADDISON SHALL NOT BE LIABLE FOR ANY DAMAGES TO YOUR PROPERTY OR LOSS OF DATA THAT RESULTS FROM THE DOWNLOAD OR USE OF THE MATERIALS.

6. Indemnification

You agree to indemnify, save, and hold ADDISON, its affiliated companies, contractors, employees, agents and its third-party suppliers, licensors, and partners harmless from any claims, losses, damages, liabilities, including legal fees and expenses, arising out of your use or misuse of the ELECTRONIC MEDIA, any violation by you of these Terms of Use, or any breach of the representations, warranties, and covenants made by you herein. ADDISON reserves the right, at your expense, to assume the exclusive defense and control of any matter for which you are required to indemnify ADDISON, and you agree to cooperate with ADDISON's defense of these claims. ADDISON will use reasonable efforts to notify you of any such claim, action, or proceeding upon becoming aware of it.

7. Miscellaneous

These Terms of Use constitute the entire agreement between you and ADDISON and govern your use of the ELECTRONIC MEDIA, superseding any prior agreements between you and ADDISON (including, but not limited to, any prior versions of the Terms of Use) and any prior representations by ADDISON. These Terms of Use shall be governed by and construed in accordance with the laws of the State of New York, without regard to conflicts of law principles. The failure of ADDISON to exercise or enforce any right or provision of the Terms of Use shall not constitute a waiver of such right or provision. If any provision of the Terms of Use is found by a court of competent jurisdiction to be invalid, the parties nevertheless agree that the court should endeavor to give effect to the parties' intentions as reflected in the provision, and the other provisions of the Terms of Use remain in full force and effect. You agree that regardless of any statute or law to the contrary, any claim or cause of



Comments:

Tag: **MAU-2**
Project Number: 1735
Project Name: **32646**
Representative: Taz Roopnarine
Location:

action brought against ADDISON and its subsidiaries, affiliates, officers, agents, co-branders or other partners and employees, arising out of or related to use of the ELECTRONIC MEDIA or the Terms of Use must be filed within one (1) year after such claim or cause of action arose or be forever barred. The section titles in the Terms of Use are for convenience only and have no legal or contractual effect.

8. In the Event of Merger or Sale

In the event that ADDISON is acquired by or merged with a third-party entity, we reserve the right, in any of these circumstances, to transfer or assign the information that we have collected from Users as part of such merger, acquisition, sale, or other change of control.

9. ADDISON Contact Information:

Please contact ADDISON with any questions or comments about this Terms of Use at: "Contact Us" <http://www.addison-hvac.com/>.



Tag: **MAU-3**
 Project Number: 1737
 Project Name: **32646A**
 Representative: Taz Roopnarine
 Location:

Comments:

Unit Information Package Unit - DOAS

Model:	PROA	Unit Length:	113 in	Weight Operating:	1880 lb
Size:	36 A1	Unit Width:	64 in		
Quantity:	1	Unit Height:	60.375 in		

Note: *Dimensions and weight are for base unit only and do not include Exhaust and ECW options. See catalog for dimensions and weights.*

Design Conditions

Supply Airflow:	820 CFM	Ambient Air DB:	87.0 F
Outside Airflow:	820 CFM		

Cooling Performance

Gross Total Capacity:	42.2 MBh	Evaporator Face Area:	2.78 sq ft
Gross Sensible Capacity:	27.5 MBh	Evaporator Rows:	4
Net Total Capacity:	40.9 MBh	Evaporator FPI:	12
Net Sensible Capacity:	26.2 MBh	Condenser Face Area:	10 sq ft
Entering Air DB / WB (Coil):	87.0 / 72.0 F	Condenser Rows:	4
Leaving Air DB / WB (Coil):	56.7 / 56.7 F	Condenser FPI:	14
Leaving Air DB / WB (Subcooling):	/ F		
Leaving Air DB / WB (Max. Reheat):	84.4 / 66.5 F	Air Velocity:	294 fpm
Leaving Air DB / WB (Unit):	85.8 / 67.0 F	Cooling Coil Air PD:	0.25 in H2O
EER:	14.7		
Watts:	2783.0 / 2783.0		

Heating Performance

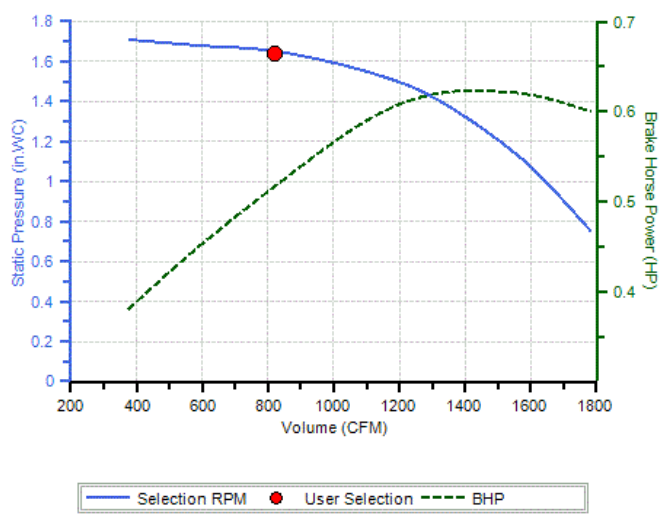
Heat Type:	Gas	Entering Air DB:	0.0 F
Input Capacity:	75.0 MBh	Leaving Air DB:	67.8 F
Output Capacity:	60.0 MBh	Heating Coil Air PD:	in H2O



Tag: **MAU-3**
Project Number: 1737
Project Name: **32646A**
Representative: Taz Roopnarine
Location:

Comments:

Supply Fan GKHM 355



Supply Pressure Drop Summary

External Static Pressure:	1.00	in H2O
Internal Pressure Drop:	0.64	in H2O
<hr/>		
Total Static Pressure:	1.64	in H2O

Supply Fan Conditions

Fan Motor BHP:	0.52	BHP
Fan RPM:	1623	RPM



Comments:

Tag: MAU-3
Project Number: 1737
Project Name: 32646A
Representative: Taz Roopnarine
Location:

Unit Electrical Data

Unit Voltage-Ph-Hz: **208-3-60**
Unit Amps - FLA: **20.7** Amps
Min Circuit Ampacity - MCA: **23.6** Amps
Maximum Fuse Size - MFS: **35** Amps

Motors

<u>Name/Type</u>	<u>Fan Service</u>	<u>Qty</u>	<u>HP (ea.)</u>	<u>FLA (ea.)</u>	<u>RLA (ea.)</u>	<u>LRA (ea.)</u>
Digital Scroll		1			11.7	88.0
ECM -355	Supply	1	2.5	6.6		
Condenser Fan Motor	Condenser	1	0.97	2.4		

Notes

1. See project schedule for selected options for this selection.
2. See catalog for dimensions and weight.
3. For dual point power connections (electric heat), Unit Electrical Data does not include electric heat power requirements.



Comments:

Tag: **MAU-3**
Project Number: 1737
Project Name: **32646A**
Representative: Taz Roopnarine
Location:

Terms of Use

These Terms of Use are a contract between you and Addison. By using any electronic media we produce for equipment sizing, design, selection and pricing ("Electronic Media"), you are agreeing to be bound by the following terms and conditions ("Terms of Use"). If you do not agree to these Terms of Use, do not use any Electronic Media we produce; instead, promptly return it to Addison. This contract is effective until terminated by Addison. This contract will be terminated immediately and without notice in the event that you fail to comply with any term or condition hereof.

1. Ownership of Content.

The Electronic Media is owned by Addison. The media can be in any form such as an actual CD that has to be installed or electronic file that has to be downloaded. The visual interfaces, graphics, design, compilation, information, computer code (including source code or object code), products, software, services, and all other elements of the Electronic Media (the "Materials") are protected by United States copyright, trade dress, patent, and trademark laws, international conventions, and all other relevant intellectual property and proprietary rights, and applicable laws. All Materials contained on the Electronic Media are the property of Addison or its subsidiaries or affiliated companies and/or third-party licensors. All trademarks, logos and service marks displayed on the Electronic Media, whether registered or unregistered, are owned exclusively by Addison or its affiliates and/or other third parties. Nothing contained in these Terms of Use, nor your use of the Materials, shall be construed as granting you any license or right in or to any trademark, logo, or service mark. Addison reserves all rights not expressly granted in this Terms of Use.

2. License

Addison hereby grants you a nontransferable, nonexclusive license to use the Materials contained on the Electronic Media solely for your information and own personal, noncommercial use, to be used with a single computer at a single location. You may download and/or print a single copy of any of the Materials contained herein for your personal use; however, you shall not otherwise reproduce, display, publish, distribute, sell, license, or modify the Materials or incorporate the Materials into other documents, Electronic Media, or publications. This license is not a sale of the electronic Media or any copy thereof. Addison retains the title and ownership of the Electronic Media and all copies, regardless of the form or media on or in which the original or any copy may exist. You may not copy, encourage or allow copying of the Electronic Media, except when you make a single copy for archival purposes only. You may be held legally responsible for any copyright infringement which is caused or encouraged by your failure to abide by this Terms of Use. You may not transfer, convey, rent, sublicense, or otherwise distribute the Electronic Media or accompanying documentation, or any rights therein to any person or entity. Any attempt to so distribute the Electronic Media or accompanying documentation shall be void.

3. Modification of these Terms of Use; Termination.

Addison reserves the right, at our discretion, to change, modify, add, or remove portions of these Terms of Use at any time.

4. Disclaimer of Warranties

The Electronic Media and Materials may contain inaccuracies and/or typographical errors. The Electronic Media and Materials are provided to you on an "AS IS" basis. ADDISON DISCLAIMS ANY AND ALL WARRANTIES EXPRESSED, STATUTORY OR IMPLIED WITH RESPECT TO THE ELECTRONIC MEDIA OR THE MATERIALS, INCLUDING BUT NOT LIMITED TO ANY IMPLIED WARRANTIES OF MERCHANTABILITY, NON-INFRINGEMENT OR THIRD PARTY RIGHTS AND FITNESS FOR A PARTICULAR PURPOSE.

5. Limitation of Liability and Damages

Addison does not warrant, guarantee or make any representations regarding the use or the results of the Electronic Media in terms of its correctness, accuracy, performance, reliability or otherwise. The entire risk as to the results and performance of the Electronic Media is assumed by you. This Electronic Media is merely a tool to aid you, the results of which should be checked against your own calculations. Addison makes no warranties, express or implied including without limitation the implied warranties of merchantability and fitness for a particular purpose. TO THE FULLEST EXTENT ALLOWED BY APPLICABLE LAW, ADDISON HEREBY DISCLAIMS, AND IN NO EVENT SHALL ADDISON OR ANY PARTY INVOLVED IN CREATING OR PRODUCING THE ELECTRONIC MEDIA, BE LIABLE FOR ANY DIRECT, INDIRECT OR CONSEQUENTIAL DAMAGES RESULTING FROM LOSS RELATED TO THE USE OF THE ELECTRONIC MEDIA OR ANY MATERIALS, WHETHER IN AN ACTION OF CONTRACT, NEGLIGENCE, OR OTHER TORTUOUS ACTION, EVEN IF ADDISON HAS BEEN ADVISED OF THE POSSIBILITY OF SUCH DAMAGES, INCLUDING DAMAGES FOR LOSS OF BUSINESS PROFITS, BUSINESS INTERRUPTIONS, LOSS OF BUSINESS INFORMATION AND THE LIKE, ARISING OUT OF THE USE OR LIABILITY TO USE THE ELECTRONIC MEDIA. FURTHERMORE, ADDISON SHALL NOT BE LIABLE FOR ANY DAMAGES TO YOUR PROPERTY OR LOSS OF DATA THAT RESULTS FROM THE DOWNLOAD OR USE OF THE MATERIALS.

6. Indemnification

You agree to indemnify, save, and hold ADDISON, its affiliated companies, contractors, employees, agents and its third-party suppliers, licensors, and partners harmless from any claims, losses, damages, liabilities, including legal fees and expenses, arising out of your use or misuse of the ELECTRONIC MEDIA, any violation by you of these Terms of Use, or any breach of the representations, warranties, and covenants made by you herein. ADDISON reserves the right, at your expense, to assume the exclusive defense and control of any matter for which you are required to indemnify ADDISON, and you agree to cooperate with ADDISON's defense of these claims. ADDISON will use reasonable efforts to notify you of any such claim, action, or proceeding upon becoming aware of it.

7. Miscellaneous

These Terms of Use constitute the entire agreement between you and ADDISON and govern your use of the ELECTRONIC MEDIA, superseding any prior agreements between you and ADDISON (including, but not limited to, any prior versions of the Terms of Use) and any prior representations by ADDISON. These Terms of Use shall be governed by and construed in accordance with the laws of the State of New York, without regard to conflicts of law principles. The failure of ADDISON to exercise or enforce any right or provision of the Terms of Use shall not constitute a waiver of such right or provision. If any provision of the Terms of Use is found by a court of competent jurisdiction to be invalid, the parties nevertheless agree that the court should endeavor to give effect to the parties' intentions as reflected in the provision, and the other provisions of the Terms of Use remain in full force and effect. You agree that regardless of any statute or law to the contrary, any claim or cause of



Comments:

Tag: **MAU-3**
Project Number: 1737
Project Name: **32646A**
Representative: Taz Roopnarine
Location:

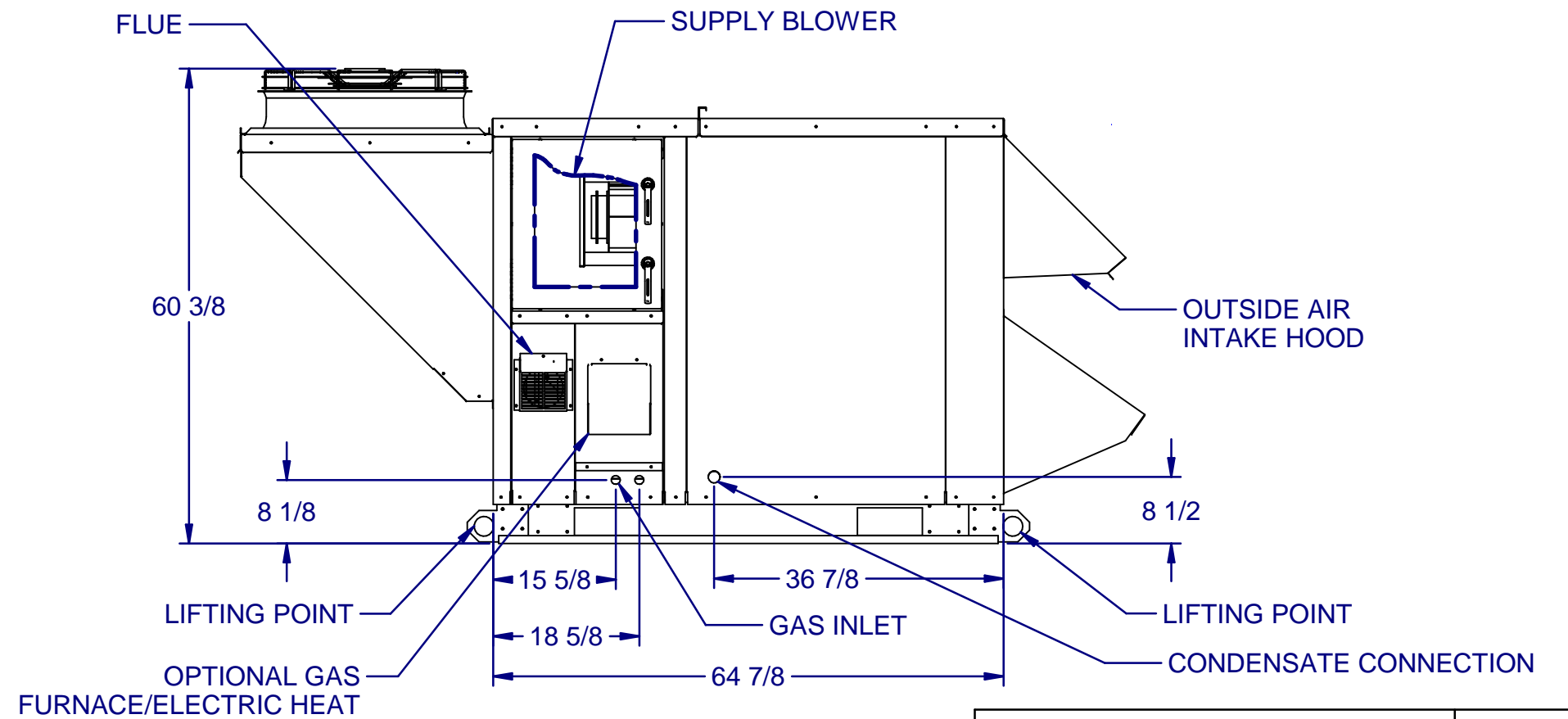
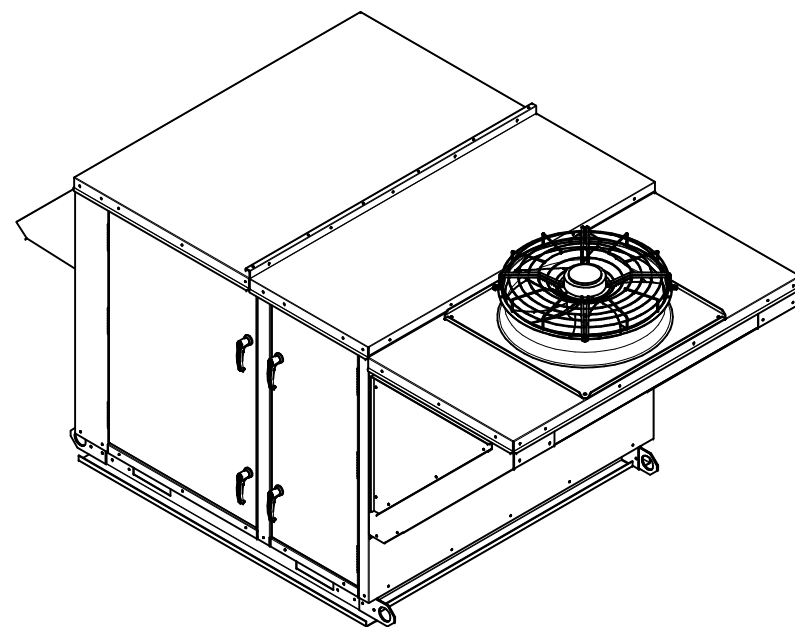
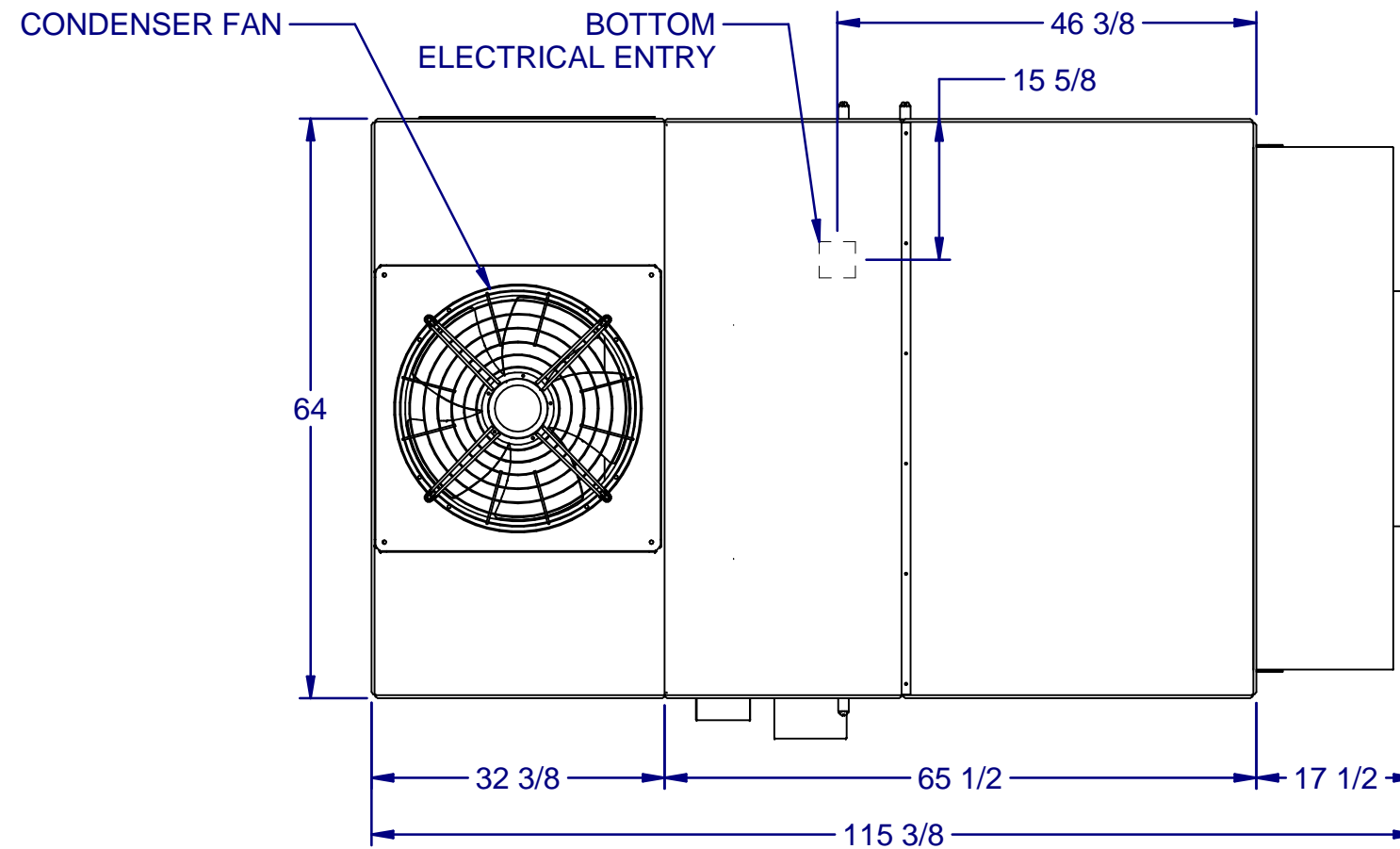
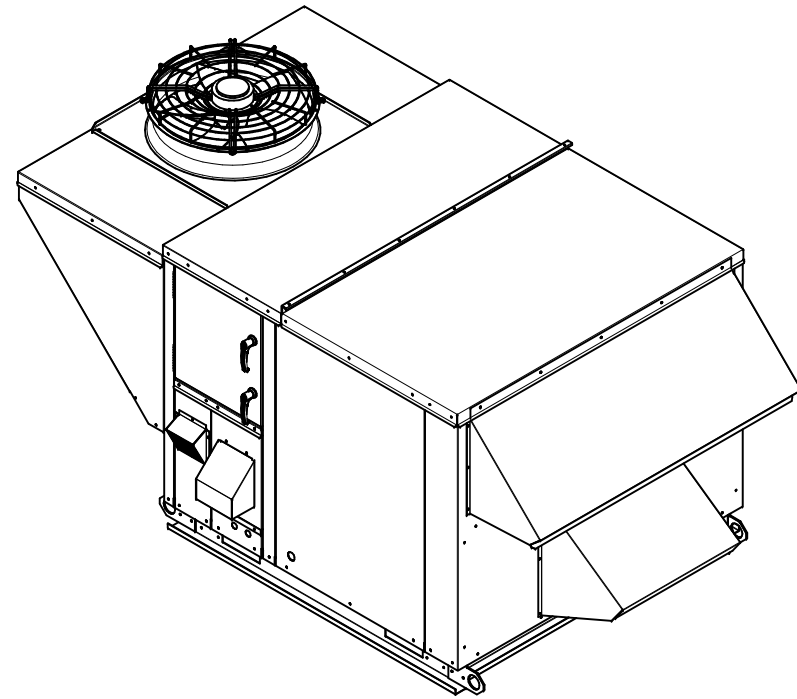
action brought against ADDISON and its subsidiaries, affiliates, officers, agents, co-branders or other partners and employees, arising out of or related to use of the ELECTRONIC MEDIA or the Terms of Use must be filed within one (1) year after such claim or cause of action arose or be forever barred. The section titles in the Terms of Use are for convenience only and have no legal or contractual effect.

8. In the Event of Merger or Sale

In the event that ADDISON is acquired by or merged with a third-party entity, we reserve the right, in any of these circumstances, to transfer or assign the information that we have collected from Users as part of such merger, acquisition, sale, or other change of control.

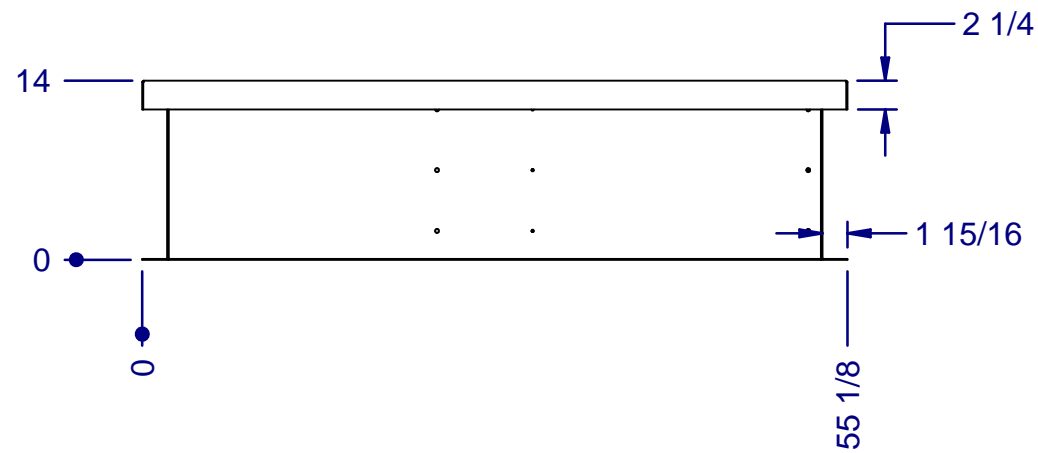
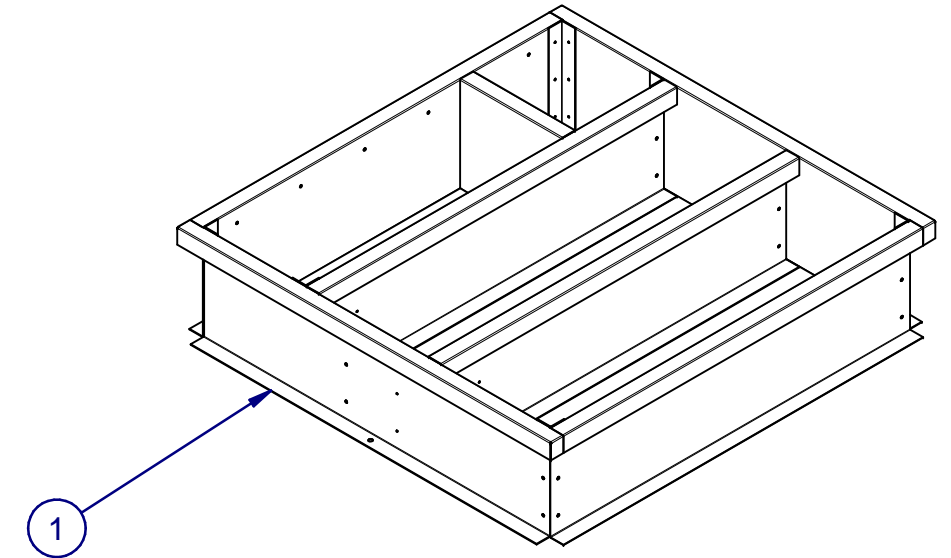
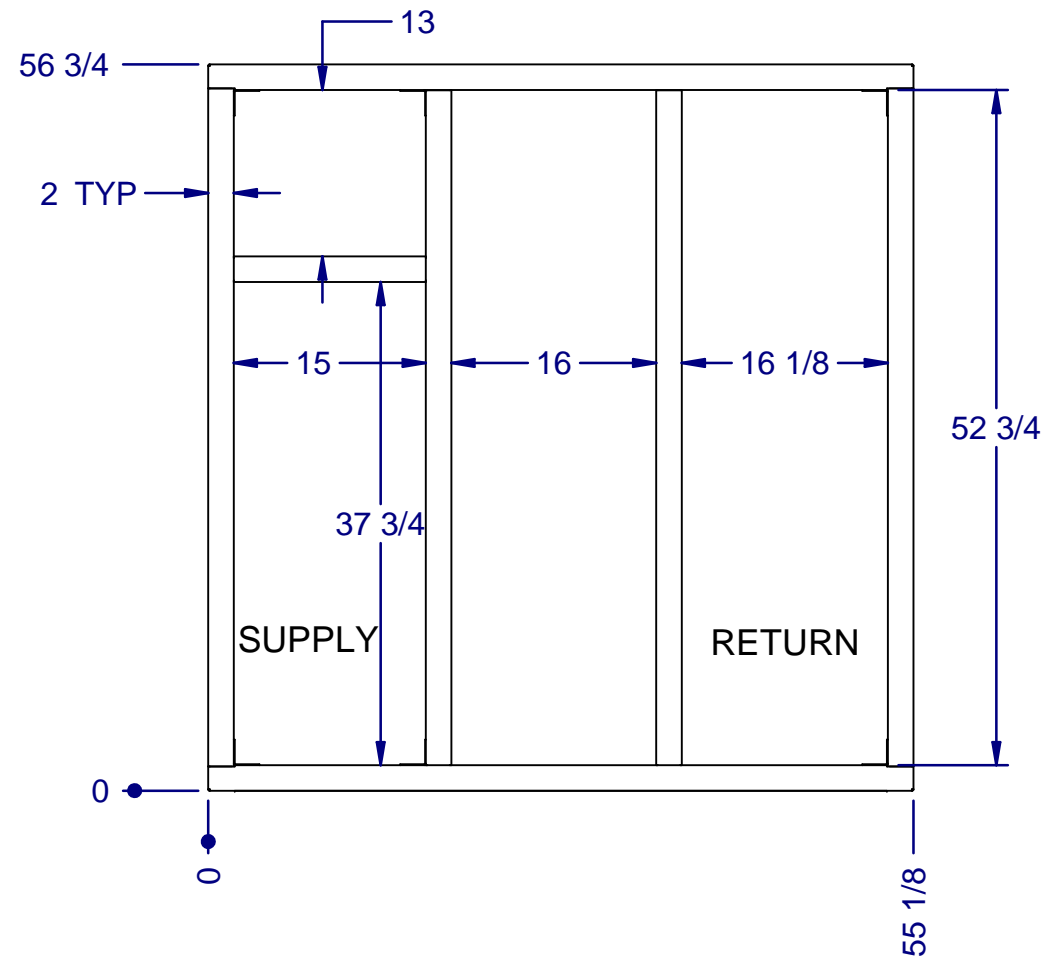
9. ADDISON Contact Information:

Please contact ADDISON with any questions or comments about this Terms of Use at: "Contact Us" <http://www.addison-hvac.com/>.



DRAWING NUMBER: 05041-2476-1	12/21/2015
TITLE: PR A1 CAB NO EXH	1 OF 1

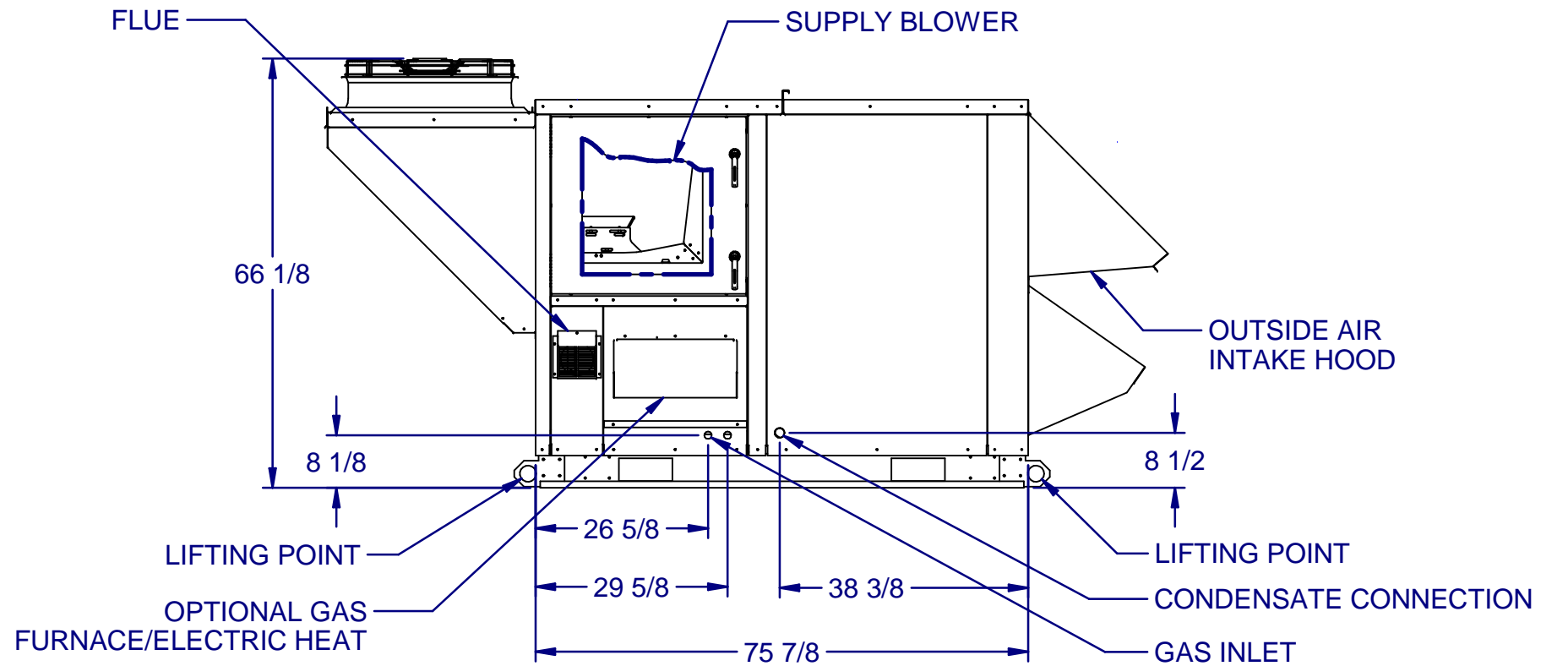
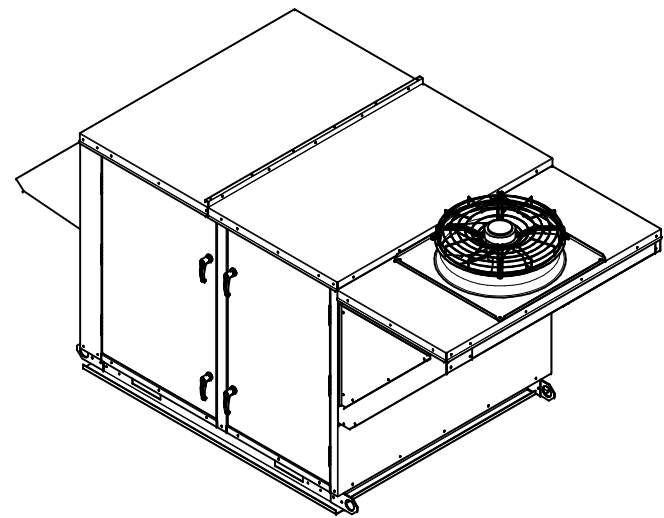
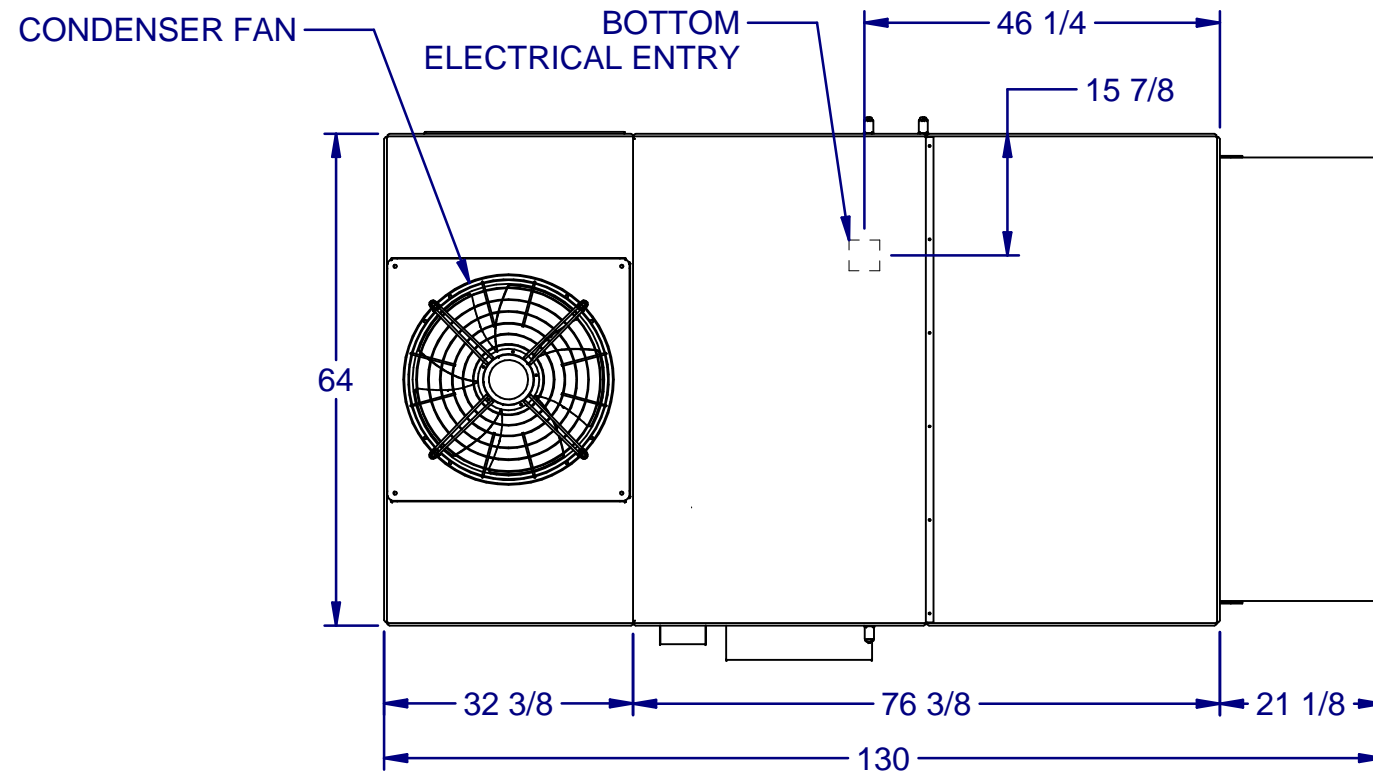
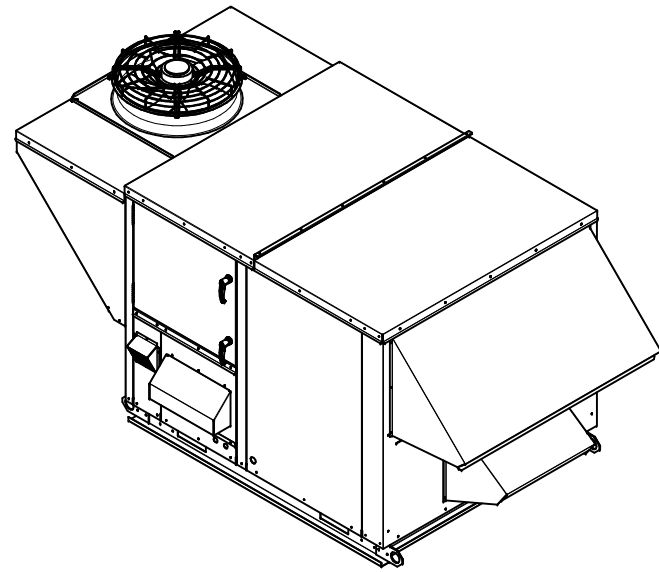
REV	DESCRIPTION	DATE	BY	CKD BY	PCN
A	INITIAL RELEASE	09/28/2015	nelson.rodulfo	DC	EPR 1516



*** ESTIMATED WEIGHT: 118 LBS ***

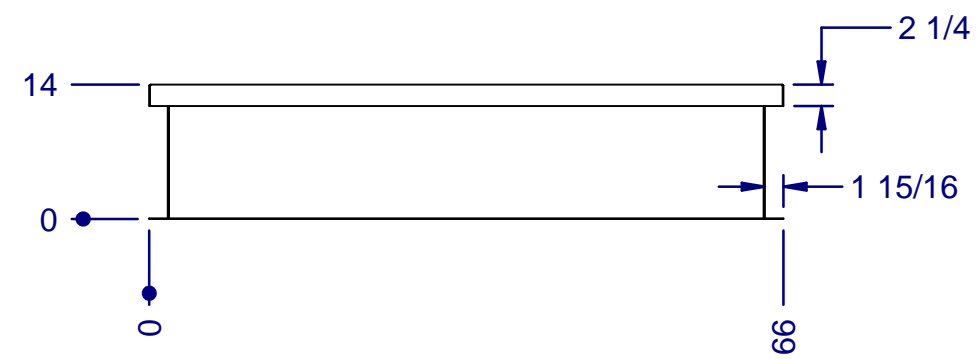
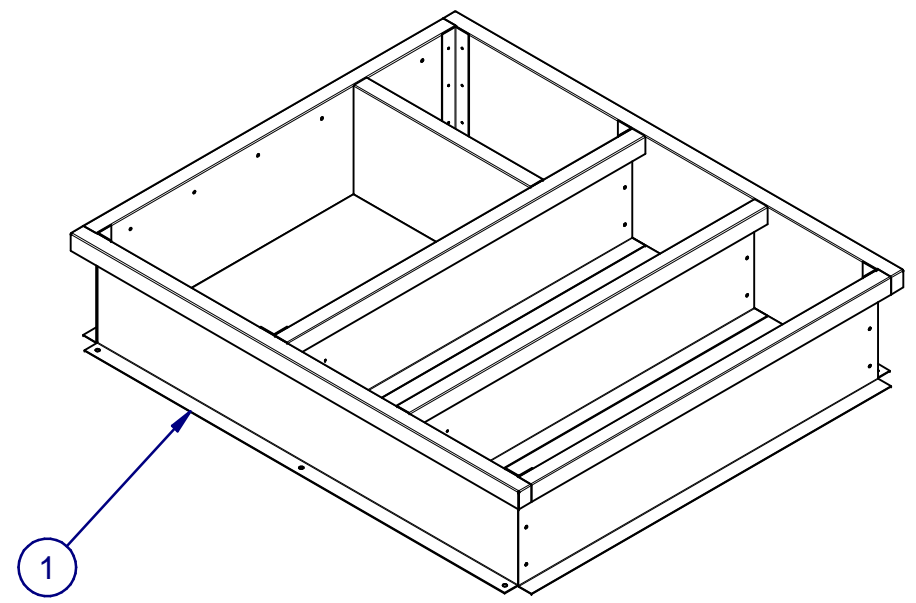
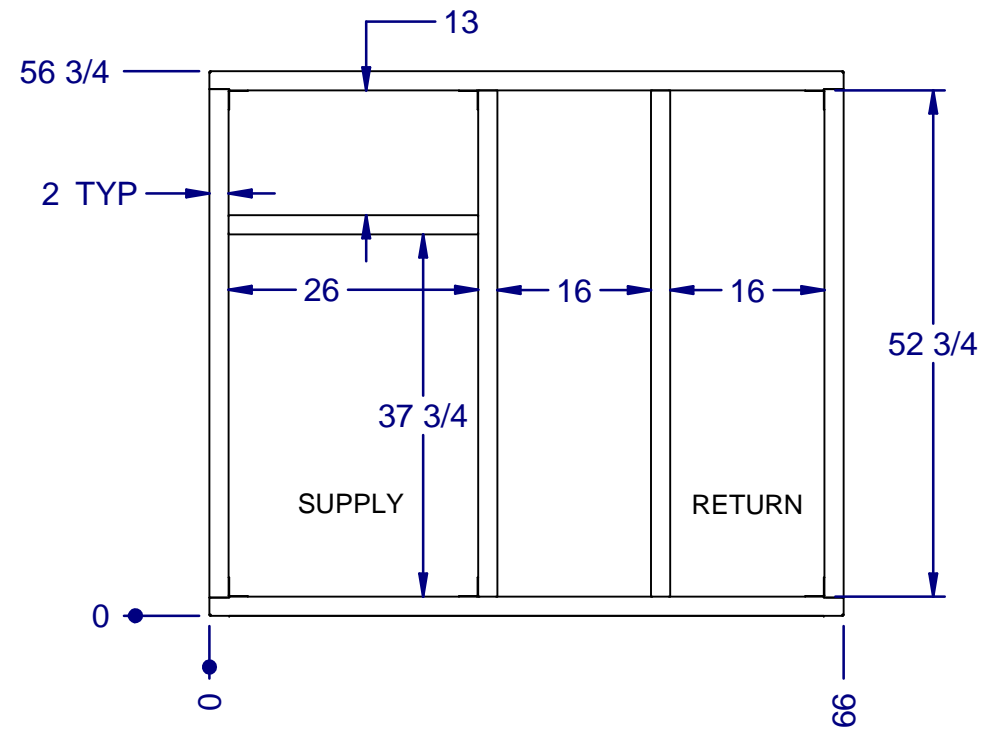
ITEM #	PART #	DESCRIPTION	QTY	NOTE
1	0851P-1937	CURB ASY 14IN PR A CAB NO EXH	1	

TOLERANCES UNLESS OTHERWISE SPECIFIED PIPE OTHER FRACTIONS ± 1/8 ± 1/32 DECIMALS ± .125 ± .032 ANGLES ± 3° ± 1/2° DO NOT SCALE DRAWING ALL DIMENSIONS IN INCHES	TITLE CURB ASY 14IN PR A CAB NO EXH				
	ADDISON ORLANDO, FL				
	MATERIAL	DATE 05/01/2014	DRWN BY nelson.rodulfo	CKD DP	APPD JN
	DWG NO. 0851I-1887				REV A



DRAWING NUMBER: 05041-2492-1	5/6/2015
TITLE: PR B1 CAB NO EXH	1 OF 1

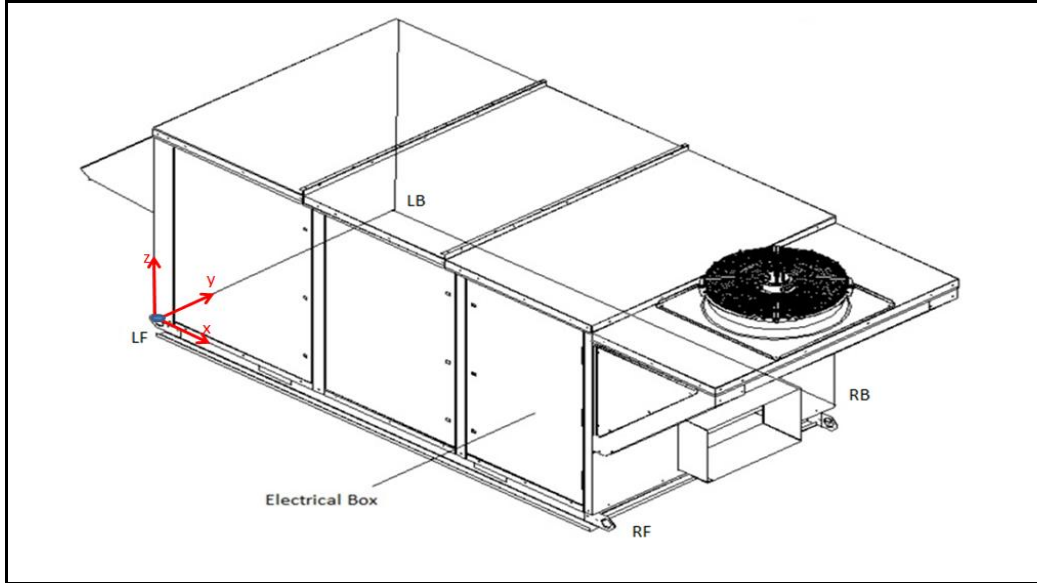
REV	DESCRIPTION	DATE	BY	CKD BY	PCN
A	INITIAL RELEASE	09/28/2015	DC	DC	EPR 1516



*** ESTIMATED WEIGHT: 125 LBS ***

ITEM #	PART #	DESCRIPTION	QTY	NOTE
1	0851P-1939	CURB ASY 14IN PR B CAB NO EXH	1	

TOLERANCES UNLESS OTHERWISE SPECIFIED <table border="1"> <tr> <td>PIPE</td> <td>OTHER</td> </tr> <tr> <td>FRACTIONS ± 1/8</td> <td>± 1/32</td> </tr> <tr> <td>DECIMALS ± .125</td> <td>± .032</td> </tr> <tr> <td>ANGLES ± 3°</td> <td>± 1/2°</td> </tr> </table> DO NOT SCALE DRAWING ALL DIMENSIONS IN INCHES	PIPE	OTHER	FRACTIONS ± 1/8	± 1/32	DECIMALS ± .125	± .032	ANGLES ± 3°	± 1/2°	TITLE CURB ASY 14IN PR B CAB NO EXH <h1 style="text-align: center;">ADDISON</h1> ORLANDO, FL			
	PIPE	OTHER										
	FRACTIONS ± 1/8	± 1/32										
	DECIMALS ± .125	± .032										
ANGLES ± 3°	± 1/2°											
MATERIAL	DATE 06/03/2013	DRWN BY DC	CKD DP	APPD JN								
DWG NO. <h2 style="text-align: center;">0851I-1863</h2>				REV <h1 style="text-align: center;">A</h1>								



* Unit Shown: PR A1 Cabinet

Quote/Job#	32646 MAU-1
Customer	

PROA084B1A2AECM0M3B30AKB0C16000C00000BLB1000000A0BABH

32646 MAU-1: RHSC 6-Row Evap. ECM 150MBH B1 Cab									
PROA	Shipping Weight	Operating Weight	Center of Gravity			Corner Weights			
	lbs (kg)	lbs (kg)	X	Y	Z	LF	LB	RF	RB
084	2300	2300	56.2	29.4	42.0	330	280	920	780
	(1041.90)	(1041.90)	(1427)	(746)	(1066)	(149.5)	(126.8)	(416.8)	(353.3)

Approx. Main Cabinet LXW: 80 X 64

8/22/2016

* Corner weights along the main cabinet.

* Weights include condenser section.



ADDISON®

7050 Overland Road, Orlando, FL 32810 USA

Telephone: 407.292.4400

Fax: 407.290.1329

www.addison-hvac.com

Date: December 6, 2016

Serial # 160800801,802, 803

Job Name: 667 Congress Street

Re: Warranty

Dear: Ranor Inc.

Addison has no intentions of not honoring a warranty for the above listed job. We understand that the unit had the wrong configuration and along as all the work is completed with the information that was provided. We will continue to honor the 1year part and 5 year compressor warranty.

Thank you for your business.

Very truly yours,

Taz Roopnarine
Regional Sales Manger
Addison