

**REFLECTED CEILING PLAN NOTES**

- 1.) G.C. TO COORDINATE LOCATIONS OF PLUMBING CLEAN OUTS WITH ACCESS PANELS AS SHOWN ON REFLECTED CEILING PLANS
- 2.) G.C. TO PROVIDE ACCESS PANELS AS REQUIRED FOR ALL ELEMENTS (SPRINKLER, VALVES, ETC) NOT SHOWN ON THIS REFLECTED CEILING PLAN
- 3.) G.C. TO PROVIDE METAL FRAMING AND BLOCKING REQUIRED FOR ALL ACCESS PANELS AND CONTROL JOINTS
- 4.) ALL ACCESS PANELS TO BE FIRE RATED TO MATCH THE CEILING THEY ARE INSTALLED WITHIN

**UNIT NOTES**

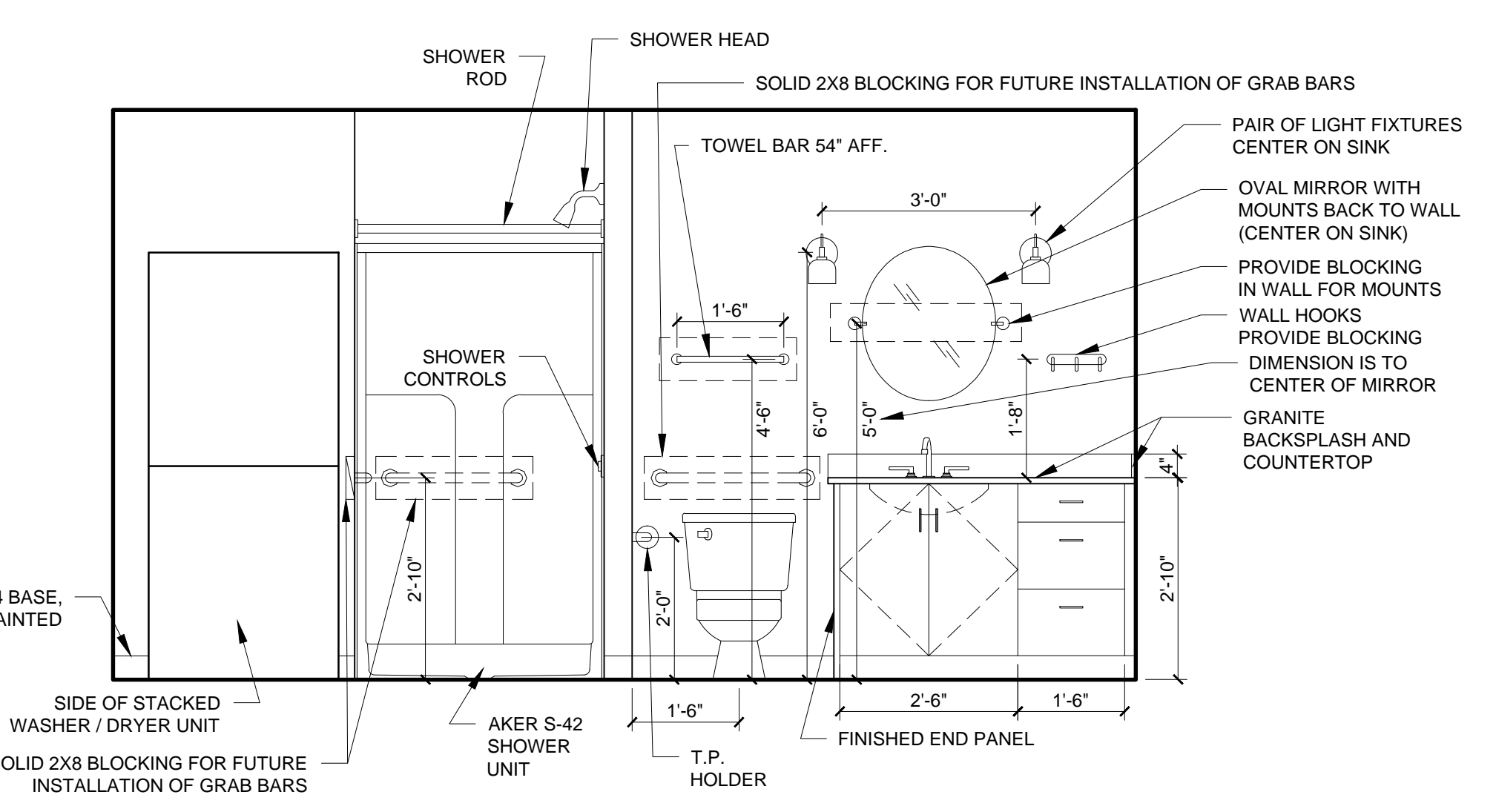
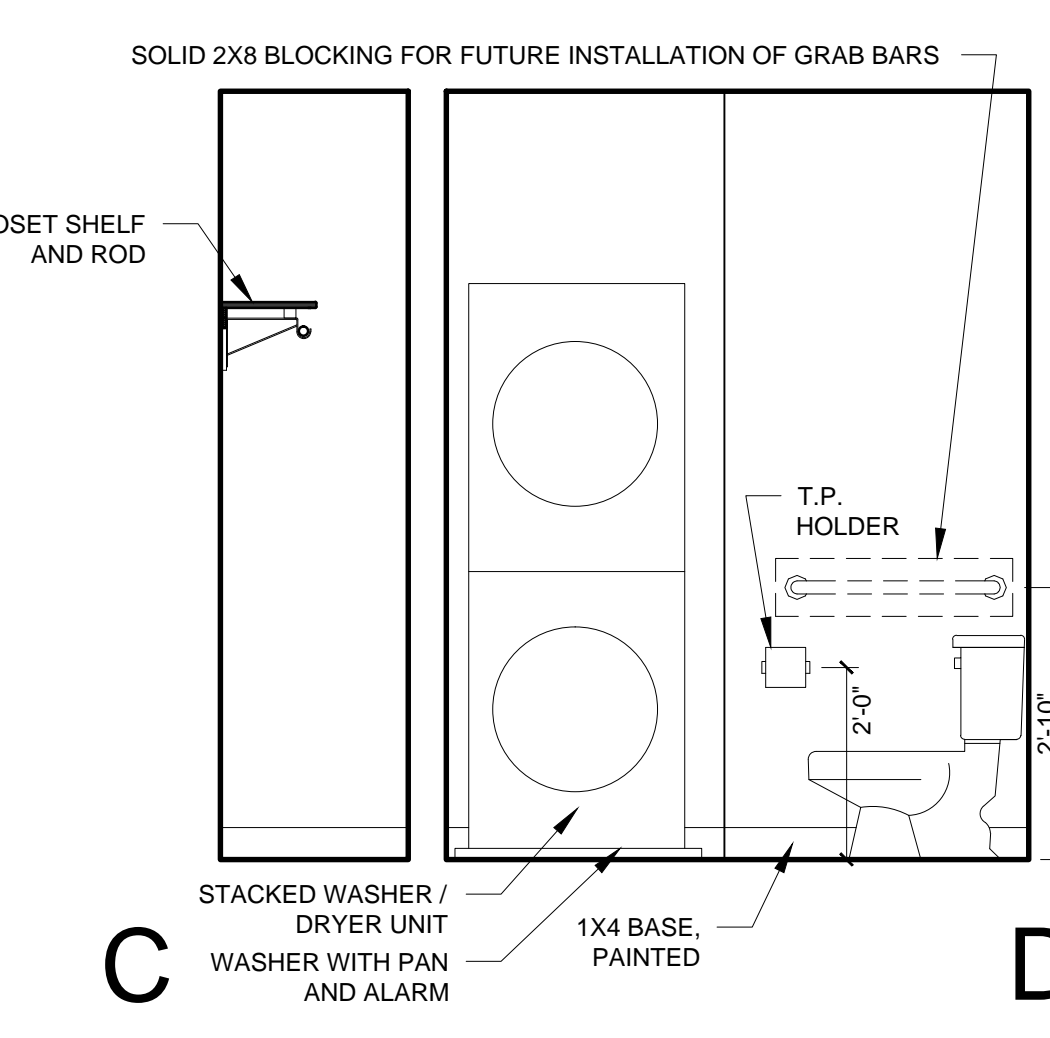
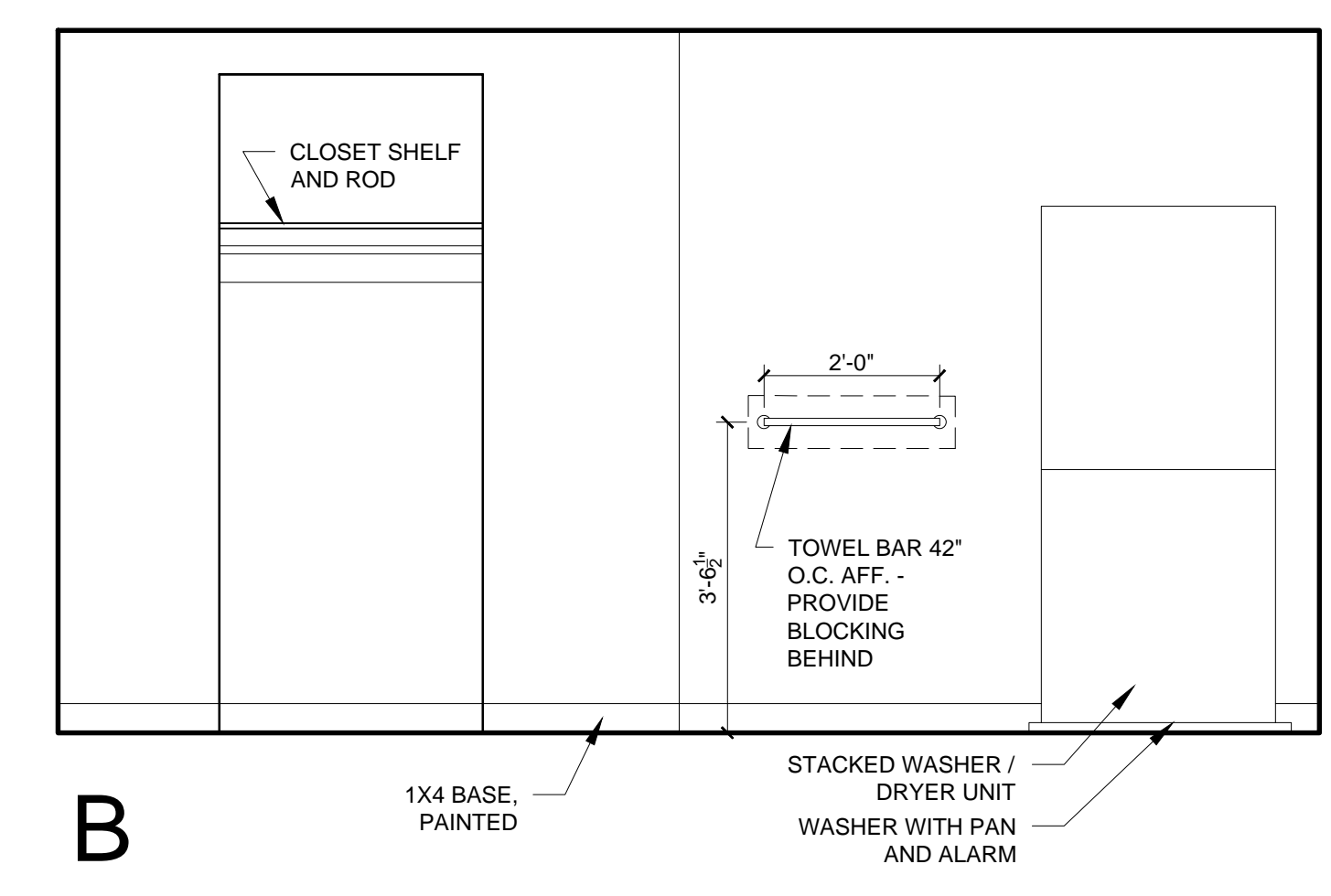
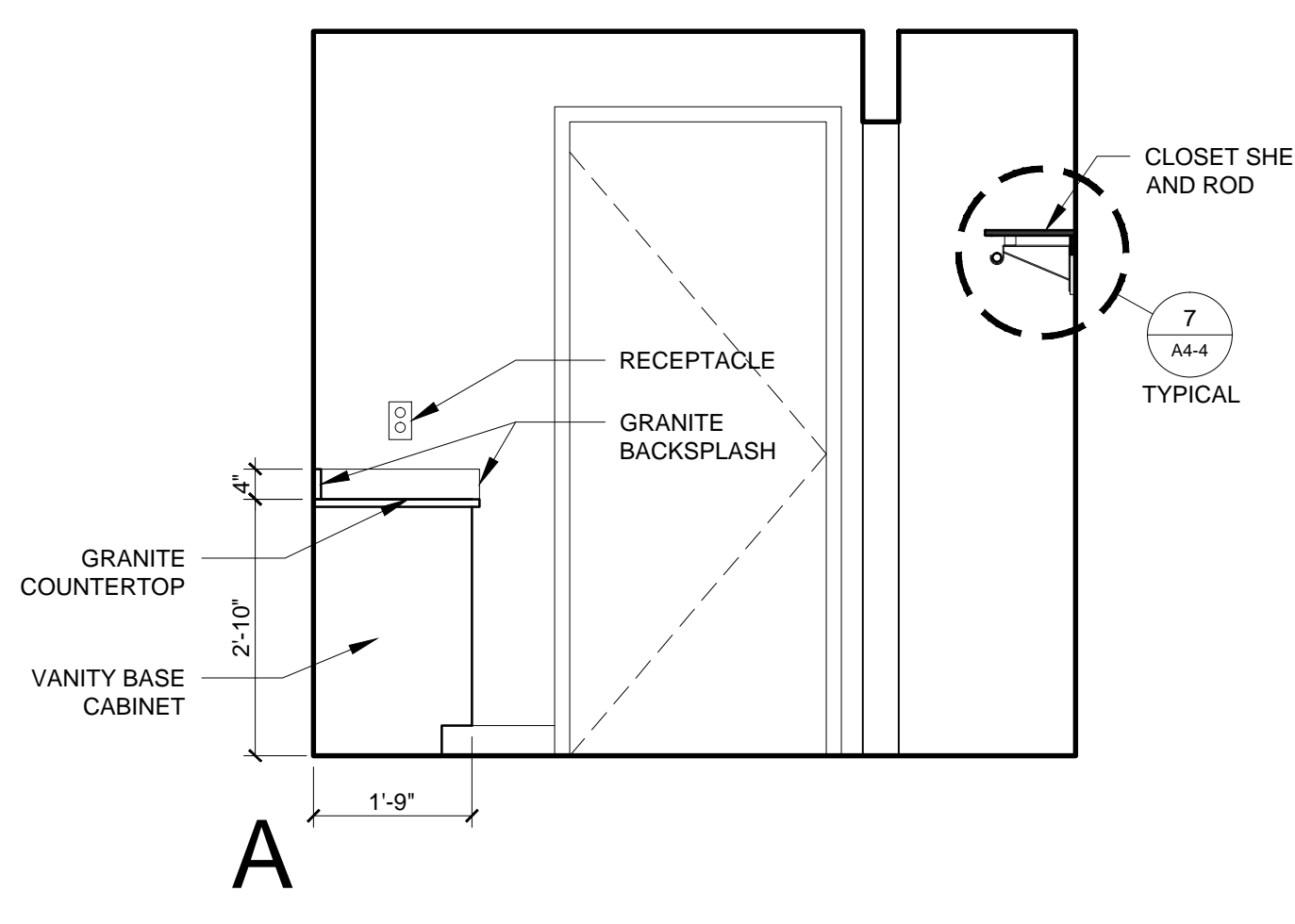
- 1.) CEILING HEIGHTS, WINDOW HEAD AND SILL HEIGHTS VARY FROM FLOOR TO FLOOR, INTERIOR ELEVATIONS GRAPHICALLY DEPICT ONE FLOOR ONLY, FOR HEIGHT INFORMATION REFER TO BUILDING SECTIONS AND WALL SECTIONS
- 2.) G.C. TO CONFIRM AND COORDINATE ALL ROUGH FRAMING DIMENSIONS FOR TUBS, SHOWERS, BUILT IN FIXTURES ETC. G.C. TO CONFIRM AND COORDINATE ALL CABINERY AND APPLIANCE DIMENSIONS
- 3.) PROVIDE APPROPRIATE FIRE TREATED BLOCKING IN WALLS BEHIND ALL FIXTURES, PARTITIONS AND ACCESSORIES. BLOCKING FOR GRAB BARS TO BE PROVIDED IN WALLS OF BATHROOMS IN ALL UNITS
- 4.) PROVIDE MOISTURE RESISTANT GWB AT ALL WALLS AND CEILING IN BATHROOMS TYPICAL
- 5.) SET ALL CLOTHES WASHERS IN PANS WITH WATER SENSOR
- 6.) REFER TO ELECTRICAL AND MECHANICAL DRAWINGS FOR ADDITIONAL INFORMATION REGARDING LIGHTING, DIFFUSERS, ETC.
- 7.) PROVIDE FIRE EXTINGUISHER ON BRACKET IN BASE CABINET BELOW KITCHEN SINK - TYPICAL
- 8.) HANG HOT WATER HEATER FROM DECK ABOVE. (SEE DETAIL ON TYPICAL UNIT DETAILS SHEET)
- 9.) WHERE DROPPED SOFFITS AND CEILING ARE SHOWN, THESE ARE IN ADDITION TO THE FIRE RATED GWB CEILING ABOVE WHICH IS PART OF THE RATED ASSEMBLY
- 10.) WHERE PLUMBING VALVES (TUB, SHOWER, ETC) ARE LOCATED IN FIRE RATED WALLS, PROVIDE FIRE RATED BOX IN WALL FOR VALVE TO BE INSTALLED WITHIN

**CABINERY AND APPLIANCE ABBREVIATIONS**

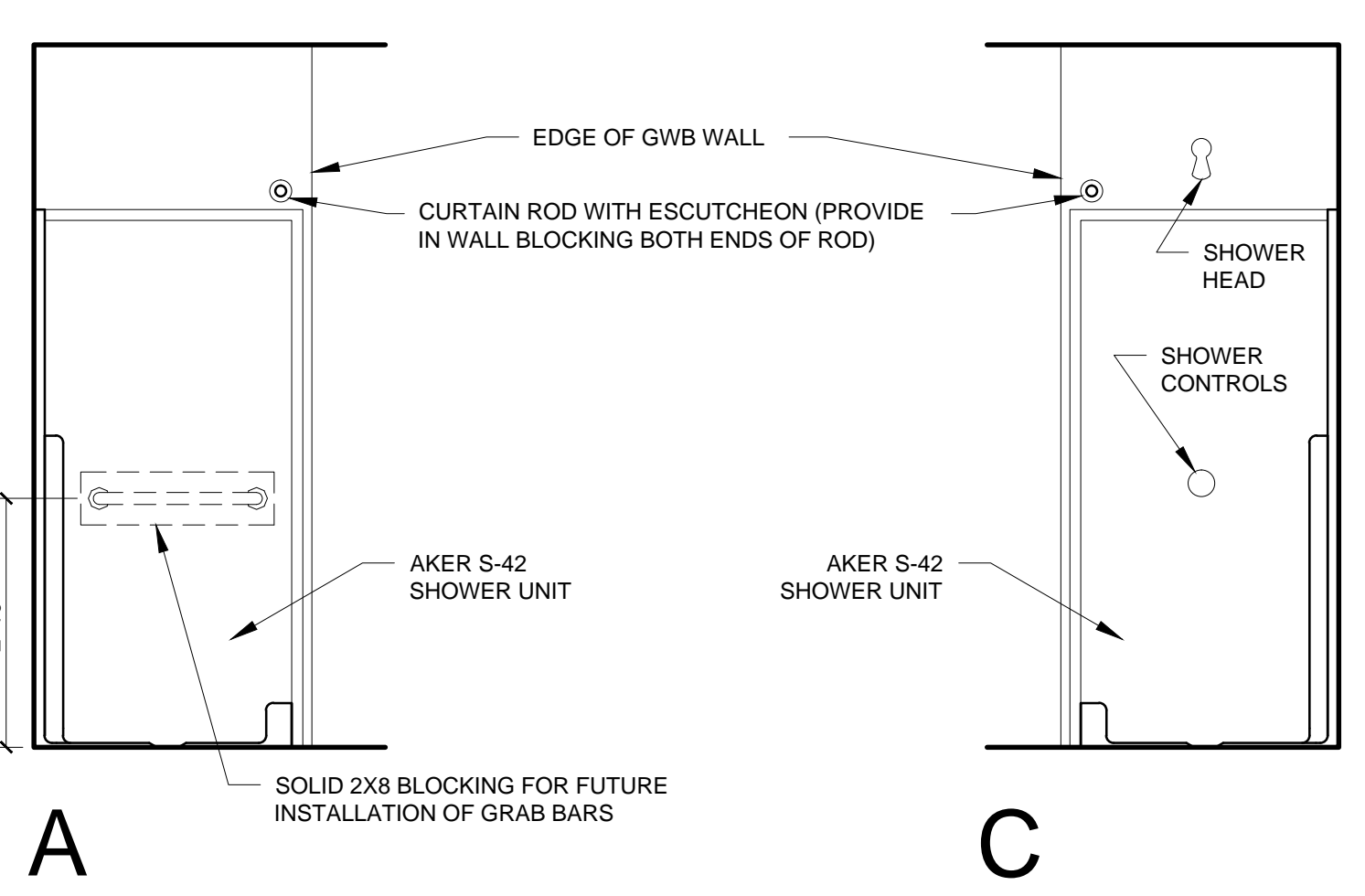
- DB = DRAWER BASE
- DRB = DOOR BASE
- SB = SINK BASE
- WC = WALL CABINET
- WC(24) = WALL CABINET 24" DEEP
- FU = PANTRY UNIT 24" DEEP
- OS = OPEN SHELVES
- RA = RANGE
- DW = DISHWASHER
- REF = REFRIGERATOR

**REFLECTED CEILING PLAN AND LIGHTING LEGEND**

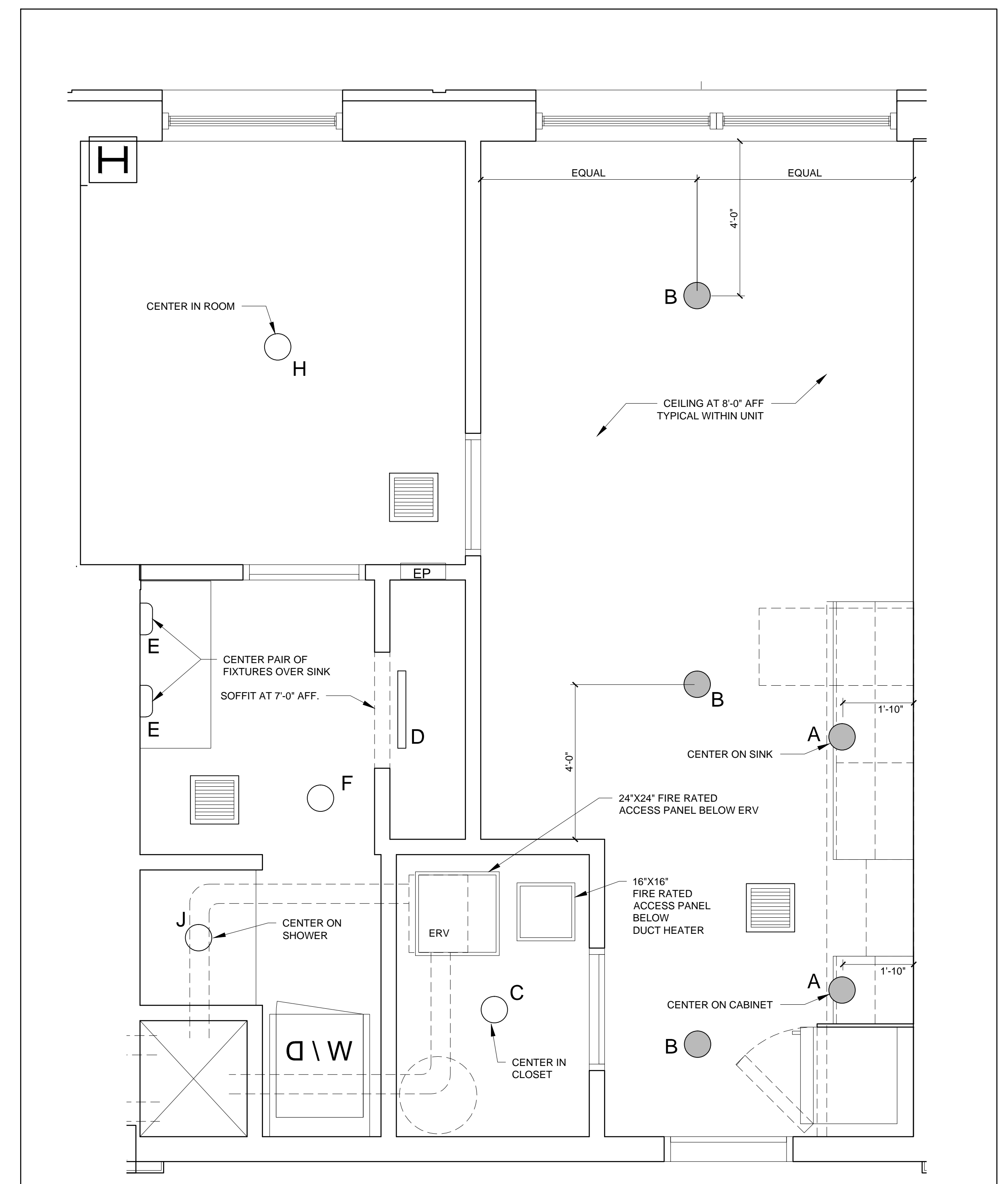
SYMBOL	TAG	DESCRIPTION
○	A	SURFACE MOUNT - TBD
○	B	SURFACE MOUNTED - TBD
○	C	SURFACE MOUNT - IN CLOSETS
○	D	SURFACE MOUNTED ON WALL ABOVE DOOR
○	E	WALL SCONCE IN BATHROOM OVER VANITY
○	F	SURFACE MOUNT - WET LOCATION
○	H	SURFACE MOUNT CENTER IN BEDROOMS
○	J	SURFACE MOUNT - WET LOCATION
○	K	EXTERIOR CUT OFF DOWN LIGHT
■		CEILING GRILLE



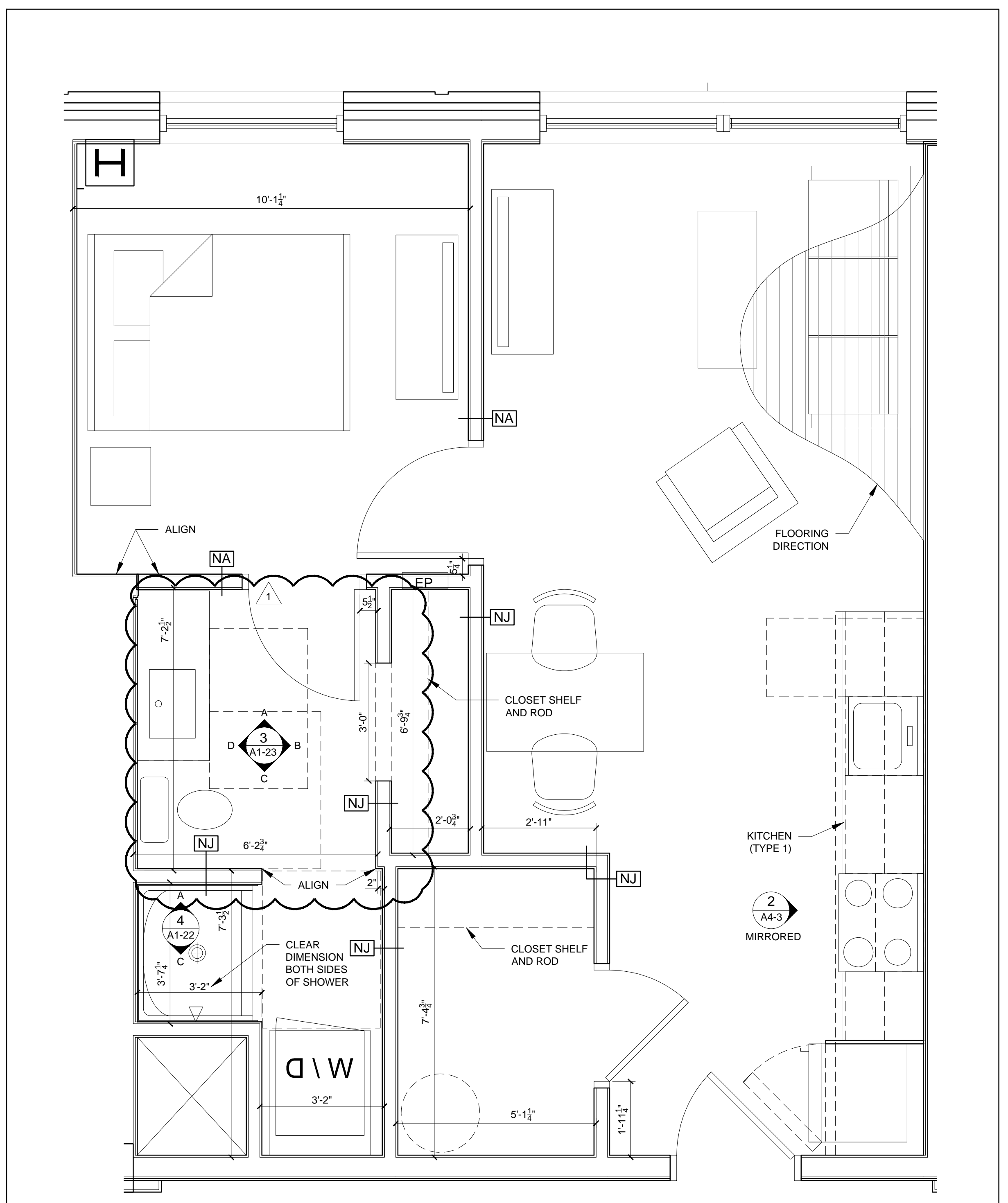
3 UNIT 204-804 INTERIOR ELEVATIONS  
1/2" = 1'-0"



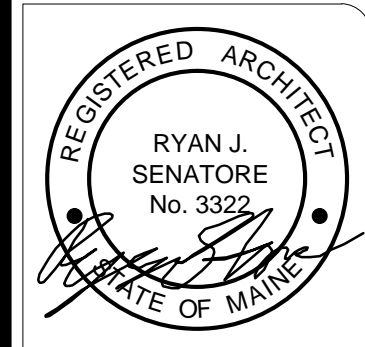
4 SHOWER ELEVATIONS  
1/2" = 1'-0"



2 UNIT 204-804 REFLECTED CEILING PLAN  
1/2" = 1'-0"



1 UNIT 204-804 FLOOR PLAN  
1/2" = 1'-0"



© 2015 RYAN SENATORE ARCHITECTURE

667 CONGRESS STREET  
APARTMENTS  
PORTLAND, MAINE



RYAN SENATORE ARCHITECTURE  
565 CONGRESS STREET  
PORTLAND, MAINE 04101  
207-659-6414  
senatorearchitecture.com

CONSULTANTS:  
STRUCTURAL: Structural Integrity  
77 Oak Street  
Portland, ME 04101  
207-774-8614

REVISIONS:  
1 REVISION #1 - 05/17/16

DATE: FEBRUARY 15, 2016  
PROJECT NO.: 1503  
DRAWN BY: RJS / RRT  
CHECKED BY: RJS  
SCALE: AS NOTED

SHEET TITLE:  
UNIT 204-804  
PLANS AND  
INTERIOR  
ELEVATIONS

A1-23