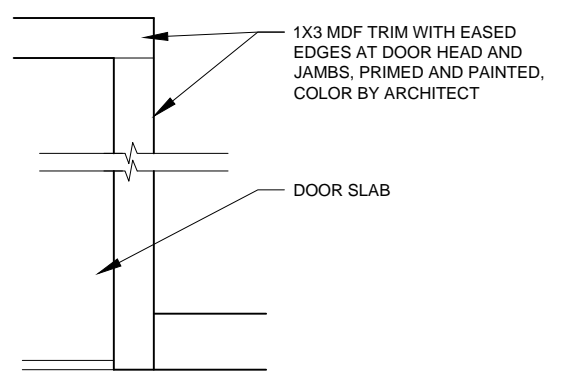
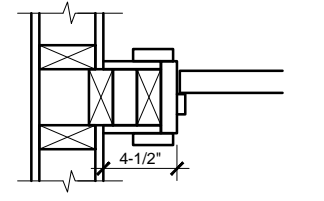


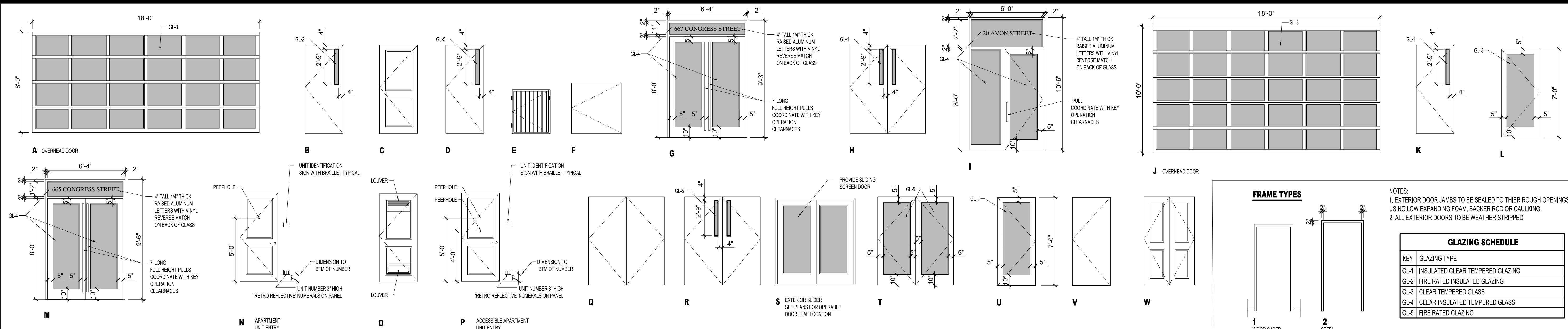
© 2015 RYAN SENATORE ARCHITECTURE



2 TYPICAL DOOR TRIM WITHIN DWELLING UNIT (NOT TO SCALE)



3 TYPICAL DOOR WITHIN DWELLING UNIT AT INTERSECTING WALL (UNLESS OTHERWISE NOTED)



1 DOOR TYPES (NOT TO SCALE)

DOOR SCHEDULE															FOB ACCESS
DOOR NO.	TYPE	SIZE		MATERIAL	FINISH	INSULATED	FRAME			DETAILS			REMARKS		
		WIDTH	HEIGHT				TYPE	THRESHOLD	HEAD	JAMB	SILL	CLOSER		PEERHOLE	LOCK SET
001.1	A	18'-0"	8'-0"	AL	PTD	N	-	-	-	-	-	-	-	OVERHEAD DOOR WITH AUTOMATIC OPERATOR. PROVIDE 142 REMOTES	Y
002.1	B	3'-0"	7'-0"	1-3/4" STL	PTD	Y	2	STL	AL	-	-	-	-	PANIC HARDWARE	Y
003.1	-	5'-0"	7'-0"	-	-	-	-	-	-	-	-	-	-	SMOKE CURTAIN TIED TO FIRE ALARM SYSTEM TO PROTECT ELEVATOR SHAFT FROM SMOKE	-
004.1	V	3'-0"	7'-0"	1-3/4" STL	PTD	Y	2	STL	AL	-	-	-	-	PANIC HARDWARE	Y
007.1	B	3'-0"	7'-0"	1-3/4" STL	PTD	Y	2	STL	AL	-	-	-	-	PANIC HARDWARE	Y
023.1	D	3'-0"	7'-0"	1-3/4" STL	PTD	Y	2	STL	AL	-	-	-	-	PANIC HARDWARE	Y
023.2	E	3'-0"	3'-2"	1-1/2" STL	PTD	-	-	-	-	-	-	-	-	GATE WITH LATCH HARDWARE	-
024.1	B	3'-0"	7'-0"	1-3/4" STL	PTD	Y	2	STL	AL	-	-	-	-	ELEVATOR DOOR WITH FOB ACCESS	Y
024.2	-	-	-	-	-	-	-	-	-	-	-	-	-	-	-
025.1	D	3'-0"	7'-0"	1-3/4" STL	PTD	Y	2	STL	AL	-	-	-	-	PANIC HARDWARE	Y
025.2	D	3'-0"	7'-0"	1-3/4" STL	PTD	Y	2	STL	AL	-	-	-	-	PANIC HARDWARE	Y
025.3	E	3'-0"	3'-2"	1-1/2" STL	PTD	-	-	-	-	-	-	-	-	GATE WITH LATCH HARDWARE	Y
026.1	B	3'-0"	7'-0"	1-3/4" STL	PTD	Y	2	STL	AL	-	-	-	-	PANIC HARDWARE	Y
026.2	-	-	-	-	-	-	-	-	-	-	-	-	-	-	-
100.1	G	6'-0"	8'-0"	1-3/4" AL	PTD	Y	2	STL	AL	-	-	-	-	ELEVATOR DOOR WITH TRANSOM AND PANIC HARDWARE. AUTOMATIC ADA OPERATOR ON LEAF	Y
100.2	D	3'-0"	7'-0"	1-3/4" STL	PTD	Y	2	STL	AL	-	-	-	-	PANIC HARDWARE. FOB ACCESS FROM LOBBY SIDE	Y
100.3	V	3'-0"	7'-0"	1-3/4" STL	PTD	Y	2	STL	AL	-	-	-	-	PANIC HARDWARE	Y
101.1	V	3'-0"	7'-0"	1-3/4" STL	PTD	Y	2	STL	AL	-	-	-	-	PANIC HARDWARE	Y
102.1	H	6'-0"	7'-0"	1-3/4" STL	PTD	Y	2	STL	AL	-	-	-	-	PAIR OF EXTERIOR DOORS	Y
102.2	D	3'-0"	7'-0"	1-3/4" STL	PTD	Y	2	STL	AL	-	-	-	-	PANIC HARDWARE	Y
104.1	J	18'-0"	10'-0"	AL	PTD	N	-	-	-	-	-	-	-	OVERHEAD DOOR WITH AUTOMATIC OPERATOR. PROVIDE 142 REMOTES	Y
104.2	K	3'-0"	7'-0"	1-3/4" STL	PTD	N	2	STL	AL	-	-	-	-	EXTERIOR DOOR WITH PANIC HARDWARE	Y
105.1	V	3'-0"	7'-0"	1-3/4" STL	PTD	Y	2	STL	AL	-	-	-	-	PANIC HARDWARE	Y
106.1	V	3'-0"	7'-0"	1-3/4" STL	PTD	Y	2	STL	AL	-	-	-	-	PANIC HARDWARE	Y
107.1	I	3'-0"	8'-0"	1-3/4" AL	PTD	Y	2	STL	AL	-	-	-	-	STOREFRONT DOOR WITH SIDELIGHT, TRANSOM AND PANIC HARDWARE	Y
108.1	D	3'-0"	7'-0"	1-3/4" STL	PTD	Y	2	STL	AL	-	-	-	-	PANIC HARDWARE	Y
108.3	L	3'-0"	7'-0"	1-3/4" AL	PTD	Y	2	STL	AL	-	-	-	-	STOREFRONT DOOR WITH GASKETED SEALS	Y
108.4	M	6'-0"	8'-0"	1-3/4" AL	PTD	Y	2	STL	AL	-	-	-	-	STOREFRONT DOORS WITH TRANSOM AND PANIC HARDWARE	Y
108.5	V	3'-0"	7'-0"	1-3/4" STL	PTD	Y	2	STL	AL	-	-	-	-	PANIC HARDWARE	Y
108.6	V	3'-0"	7'-0"	1-3/4" STL	PTD	Y	2	STL	AL	-	-	-	-	PANIC HARDWARE	Y
108.7	K	3'-0"	7'-0"	1-3/4" STL	PTD	Y	2	STL	AL	-	-	-	-	EXTERIOR DOOR WITH PANIC HARDWARE	Y
121.1	D	3'-0"	7'-0"	1-3/4" STL	PTD	Y	2	STL	AL	-	-	-	-	PANIC HARDWARE. FOB ACCESS ON STAIR SIDE	Y
124.1	B	3'-0"	7'-0"	1-3/4" STL	PTD	Y	2	STL	AL	-	-	-	-	PANIC HARDWARE	Y
124.2	-	-	-	-	-	-	-	-	-	-	-	-	-	ELEVATOR DOOR WITH FOB ACCESS	Y
125.1	D	3'-0"	7'-0"	1-3/4" STL	PTD	Y	2	STL	AL	-	-	-	-	PANIC HARDWARE. FOB ACCESS FROM LOBBY SIDE	Y
125.2	-	-	-	-	-	-	-	-	-	-	-	-	-	ELEVATOR DOOR WITH FOB ACCESS	Y
125.3	-	-	-	-	-	-	-	-	-	-	-	-	-	ELEVATOR DOOR WITH FOB ACCESS	Y

DOOR SCHEDULE															FOB ACCESS
DOOR NO.	TYPE	SIZE		MATERIAL	FINISH	INSULATED	FRAME			DETAILS			REMARKS		
		WIDTH	HEIGHT				TYPE	THRESHOLD	HEAD	JAMB	SILL	CLOSER		PEERHOLE	LOCK SET
211.1, 311.1, 411.1, 511.1, 611.1, 711.1, 811.1	N	3'-0"	7'-0"	1-3/4" WD	PTD	N	2	STL	AL	-	-	-	-	APARTMENT ENTRY DOOR WITH SPRING HINGES, GASKETED FRAME	Y
211.2, 311.2, 411.2, 511.2, 611.2, 711.2, 811.2	C	2'-0"	6'-8"	1-3/8" WD	PTD	N	1	WD	-	-	-	-	-	PANIC HARDWARE	Y
211.3, 311.3, 411.3, 511.3, 611.3, 711.3, 811.3	C	2'-0"	6'-8"	1-3/8" WD	PTD	N	1	WD	-	-	-	-	-	PANIC HARDWARE	Y
212.1, 312.1, 412.1, 512.1, 612.1, 712.1, 812.1	C	2'-0"	6'-8"	1-3/8" WD	PTD	N	1	WD	-	-	-	-	-	PANIC HARDWARE	Y
212.2, 312.2, 412.2, 512.2, 612.2, 712.2, 812.2	C	2'-0"	6'-8"	1-3/8" WD	PTD	N	1	WD	-	-	-	-	-	PANIC HARDWARE	Y
212.3, 312.3, 412.3, 512.3, 612.3, 712.3, 812.3	C	2'-0"	6'-8"	1-3/8" WD	PTD	N	1	WD	-	-	-	-	-	PANIC HARDWARE	Y
212.4, 312.4, 412.4, 512.4, 612.4, 712.4, 812.4	C	2'-0"	6'-8"	1-3/8" WD	PTD	N	1	WD	-	-	-	-	-	PANIC HARDWARE	Y
212.5, 312.5, 412.5, 512.5, 612.5, 712.5, 812.5	C	2'-0"	6'-8"	1-3/8" WD	PTD	N	1	WD	-	-	-	-	-	PANIC HARDWARE	Y
213.1, 313.1, 413.1, 513.1, 613.1, 713.1, 813.1	N	3'-0"	7'-0"	1-3/4" WD	PTD	N	2	STL	AL	-	-	-	-	APARTMENT ENTRY DOOR WITH SPRING HINGES, GASKETED FRAME	Y
213.2, 313.2, 413.2, 513.2, 613.2, 713.2, 813.2	C	2'-0"	6'-8"	1-3/8" WD	PTD	N	1	WD	-	-	-	-	-	PANIC HARDWARE	Y
213.3, 313.3, 413.3, 513.3, 613.3, 713.3, 813.3	C	2'-0"	6'-8"	1-3/8" WD	PTD	N	1	WD	-	-	-	-	-	PANIC HARDWARE	Y
213.4, 313.4, 413.4, 513.4, 613.4, 713.4, 813.4	C	2'-0"	6'-8"	1-3/8" WD	PTD	N	1	WD	-	-	-	-	-	PANIC HARDWARE	Y
214.1, 314.1, 414.1, 514.1, 614.1, 714.1, 814.1	N	3'-0"	7'-0"	1-3/4" WD	PTD	N	2	STL	AL	-	-	-	-	APARTMENT ENTRY DOOR WITH SPRING HINGES, GASKETED FRAME	Y
214.2, 314.2, 414.2, 514.2, 614.2, 714.2, 814.2	C	2'-0"	6'-8"	1-3/8" WD	PTD	N	1	WD	-	-	-	-	-	PANIC HARDWARE	Y
214.3, 314.3, 414.3, 514.3, 614.3, 714.3, 814.3	C	2'-0"	6'-8"	1-3/8" WD	PTD	N	1	WD	-	-	-	-	-	PANIC HARDWARE	Y
214.4, 314.4, 414.4, 514.4, 614.4, 714.4, 814.4	C	2'-0"	6'-8"	1-3/8" WD	PTD	N	1	WD	-	-	-	-	-	PANIC HARDWARE	Y
215.1, 315.1, 415.1, 515.1, 615.1, 715.1, 815.1	N	3'-0"	7'-0"	1-3/4" WD	PTD	N	2	STL	AL	-	-	-	-	APARTMENT ENTRY DOOR WITH SPRING HINGES, GASKETED FRAME	Y
215.2, 315.2, 415.2, 515.2, 615.2, 715.2, 815.2	C	2'-0"	6'-8"	1-3/8" WD	PTD	N	1	WD	-	-	-	-	-	PANIC HARDWARE	Y
215.3, 315.3, 415.3, 515.3, 615.3, 715.3, 815.3	C	2'-0"	6'-8"	1-3/8" WD	PTD	N	1	WD	-	-	-	-	-	PANIC HARDWARE	Y
215.4, 315.4, 415.4, 515.4, 615.4, 715.4, 815.4	C	2'-0"	6'-8"	1-3/8" WD	PTD	N	1	WD	-	-	-	-	-	PANIC HARDWARE	Y
216.1, 316.1, 416.1, 516.1, 616.1, 716.1, 816.1	N	3'-0"	7'-0"	1-3/4" WD	PTD	N	2	STL	AL	-	-	-	-	APARTMENT ENTRY DOOR WITH SPRING HINGES, GASKETED FRAME	Y
216.2, 316.2, 416.2, 516.2, 616.2, 716.2, 816.2	C	2'-0"	6'-8"	1-3/8" WD	PTD	N	1	WD	-	-	-	-	-	PANIC HARDWARE	Y
216.3, 316.3, 416.3, 516.3, 616.3, 716.3, 816.3	C	2'-0"	6'-8"	1-3/8" WD	PTD	N	1	WD	-	-	-	-	-	PANIC HARDWARE	Y
216.4, 316.4, 416.4, 516.4, 616.4, 716.4, 816.4	C	2'-0"	6'-8"	1-3/8" WD	PTD	N	1	WD	-	-	-	-	-	PANIC HARDWARE	Y
217.1, 317.1, 417.1, 517.1, 617.1, 717.1, 817.1	N	3'-0"	7'-0"	1-3/4" WD	PTD	N	2	STL	AL	-	-	-	-	APARTMENT ENTRY DOOR WITH SPRING HINGES, GASKETED FRAME	Y
217.2, 317.2, 417.2, 517.2, 617.2, 717.2, 817.2	C	2'-0"	6'-8"	1-3/8" WD	PTD	N	1	WD	-	-	-	-	-	PANIC HARDWARE	Y
217.3, 317.3, 417.3, 517.3, 617.3, 717.3, 817.3	C	2'-0"	6'-8"	1-3/8" WD	PTD	N	1	WD	-	-	-	-	-	PANIC HARDWARE	Y
217.4, 317.4, 417.4, 517.4, 617.4, 717.4, 817.4	C	2'-0"	6'-8"	1-3/8" WD	PTD	N	1	WD	-	-	-	-	-	PANIC HARDWARE	Y
217.5, 317.5, 417.5, 517.5, 617.5, 717.5, 817.5	C	2'-0"	6'-8"	1-3/8" WD	PTD	N	1	WD	-	-	-	-	-	PANIC HARDWARE	Y
221.1, 321.1, 421.1, 521.1, 621.1, 721.1, 821.1	D	3'-0"	7'-0"	1-3/4" STL	PTD	Y	2	STL	AL	-	-	-	-	PANIC HARDWARE. FOB ACCESS ON STAIR SIDE	Y
224.1, 324.1, 424.1, 524.1, 624.1, 724.1, 824.1	R	6'-0"	7'-0"	1-3/4" STL	PTD	Y	2	STL	AL	-	-	-	-	PAIR OF DOORS. PANIC HARDWARE. 2 MAGNETIC HOLD OPENS TIED TO FIRE ALARM SYSTEM	Y
225.1, 325.1, 425.1, 525.1, 625.1, 725.1, 825.1	D	3'-0"	7'-0"	1-3/4" STL	PTD	Y	2	STL	AL	-	-	-	-	PANIC HARDWARE. FOB ACCESS FROM STAIR SIDE	Y
226.1, 326.1, 426.1, 526.1, 626.1, 726.1, 826.1	D	3'-0"	7'-0"	1-3/4" STL	PTD	Y	2	STL	AL	-	-	-	-	PANIC HARDWARE. MAGNETIC HOLD OPENS TIED TO FIRE ALARM SYSTEM	Y
227.1, 327.1, 427.1, 527.1, 627.1, 727.1, 827.1	G	6'-0"	7'-0"	1-3/4" STL	PTD	Y	2	STL	AL	-	-	-	-	PAIR OF DOORS	Y
228.1, 328.1, 428.1, 528.1, 628.1, 728.1, 828.1	G	6'-0"	7'-0"	1-3/4" STL	PTD	Y	2	STL	AL	-	-	-	-	PAIR OF DOORS	Y
229.1, 329.1, 429.1, 529.1, 629.1, 729.1, 829.1	V	3'-0"	7'-0"	1-3/4" STL	PTD	Y	2	STL	AL	-	-	-	-	PANIC HARDWARE	Y
229.2, 329.2, 429.2, 529.2, 629.2, 729.2, 829.2	V	3'-0"													