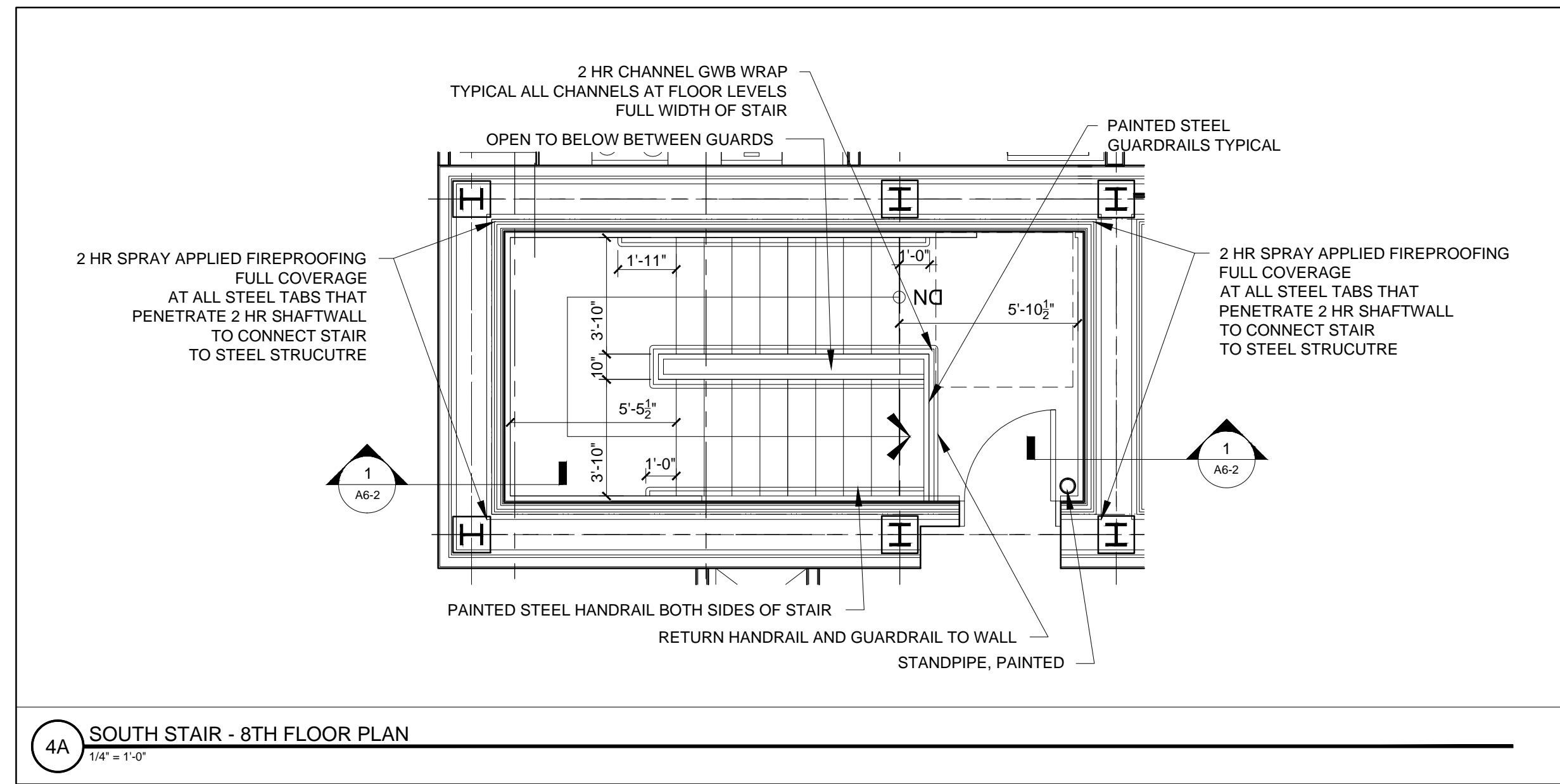
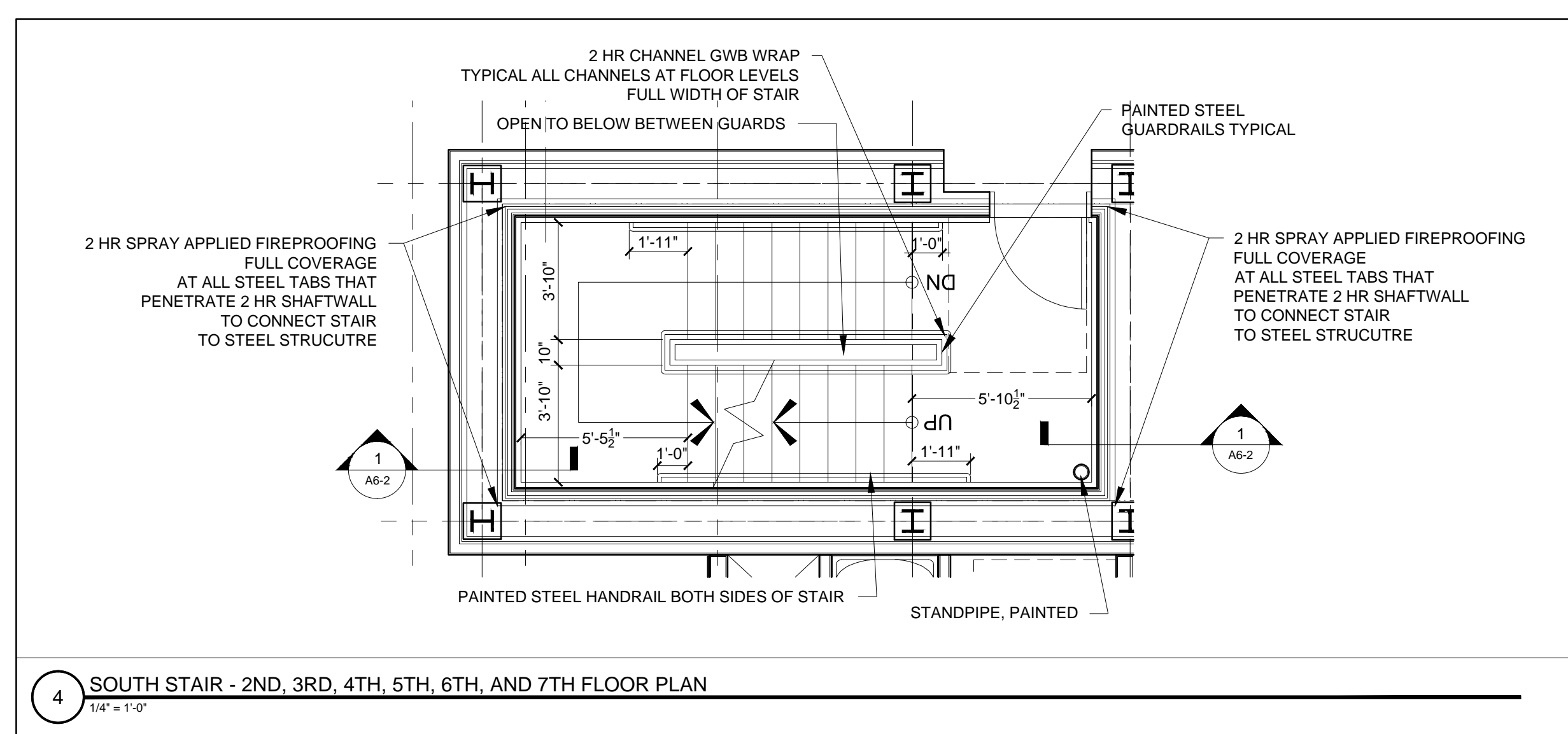


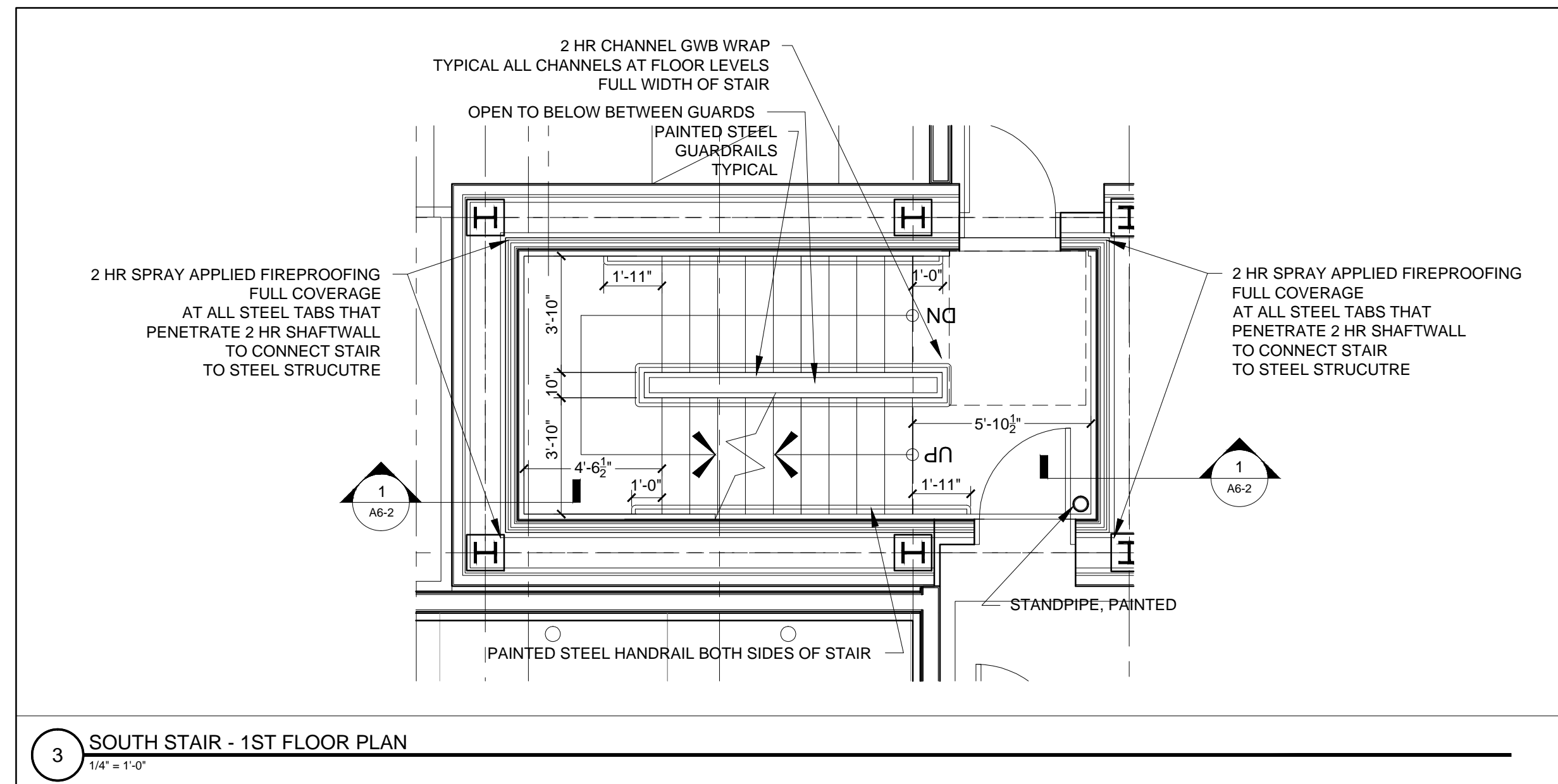
1 SOUTH STAIR SECTION
 1/4" = 1'-0"



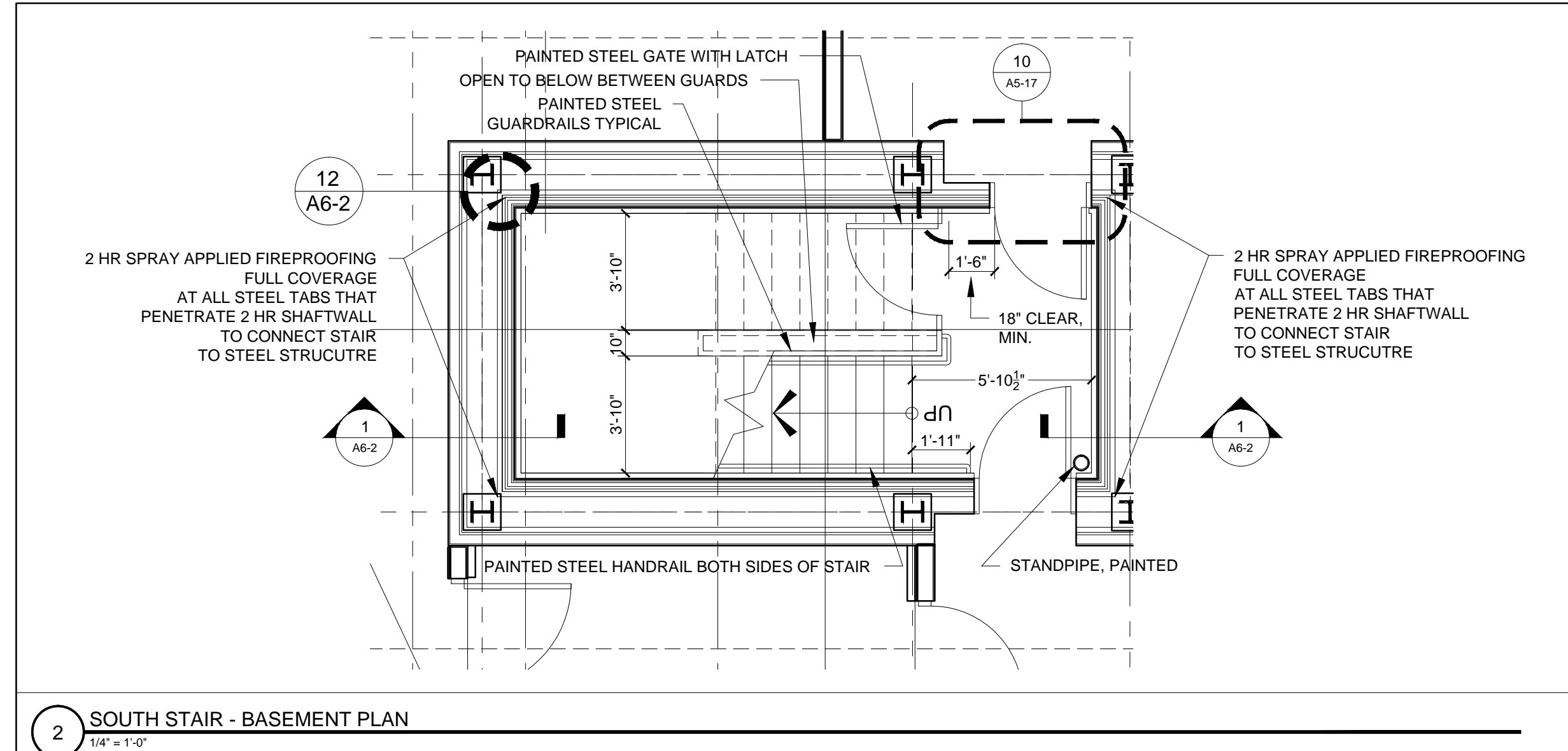
4A SOUTH STAIR - 8TH FLOOR PLAN
 1/4" = 1'-0"



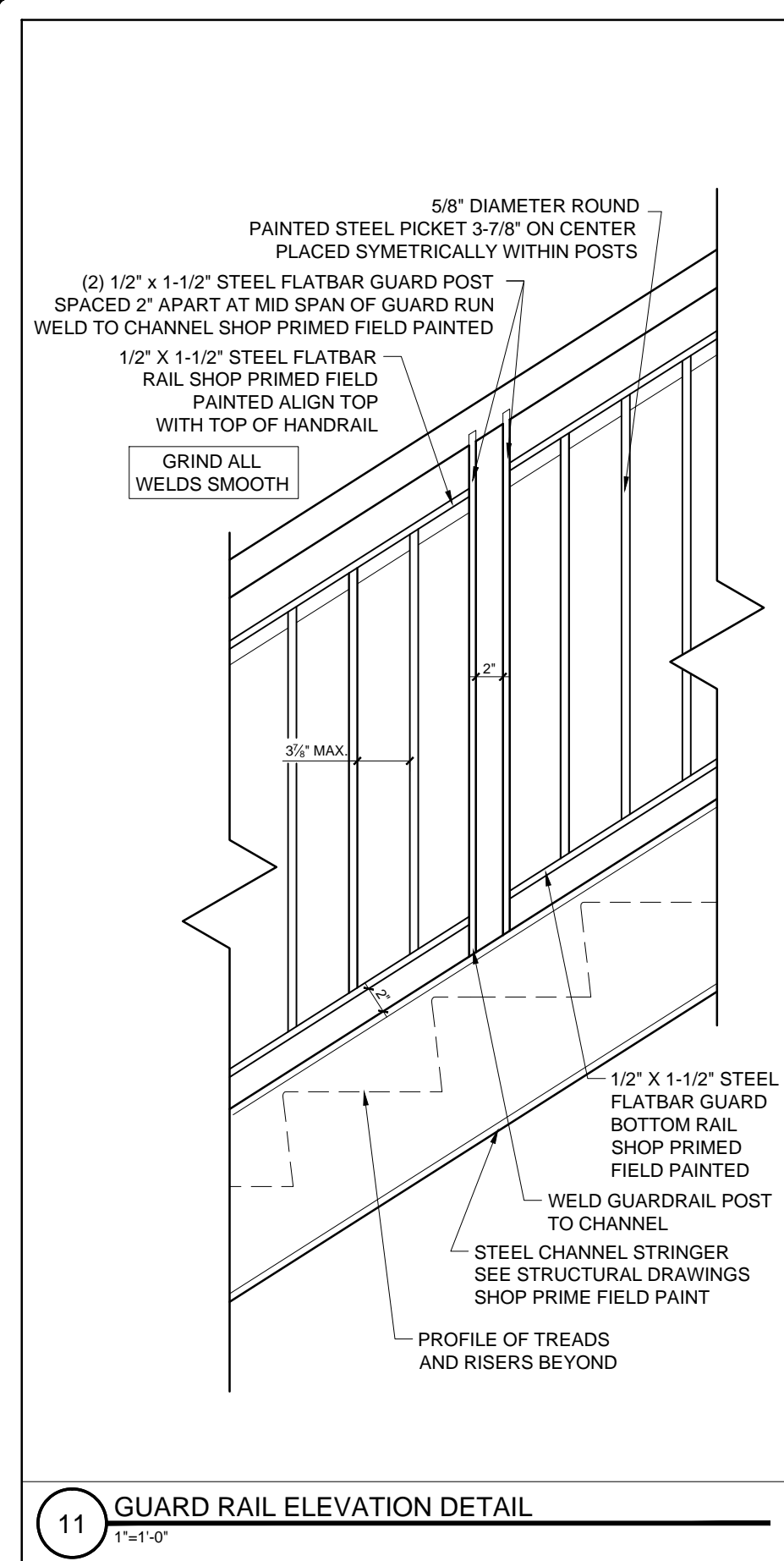
4 SOUTH STAIR - 2ND, 3RD, 4TH, 5TH, 6TH, AND 7TH FLOOR PLAN
 1/4" = 1'-0"



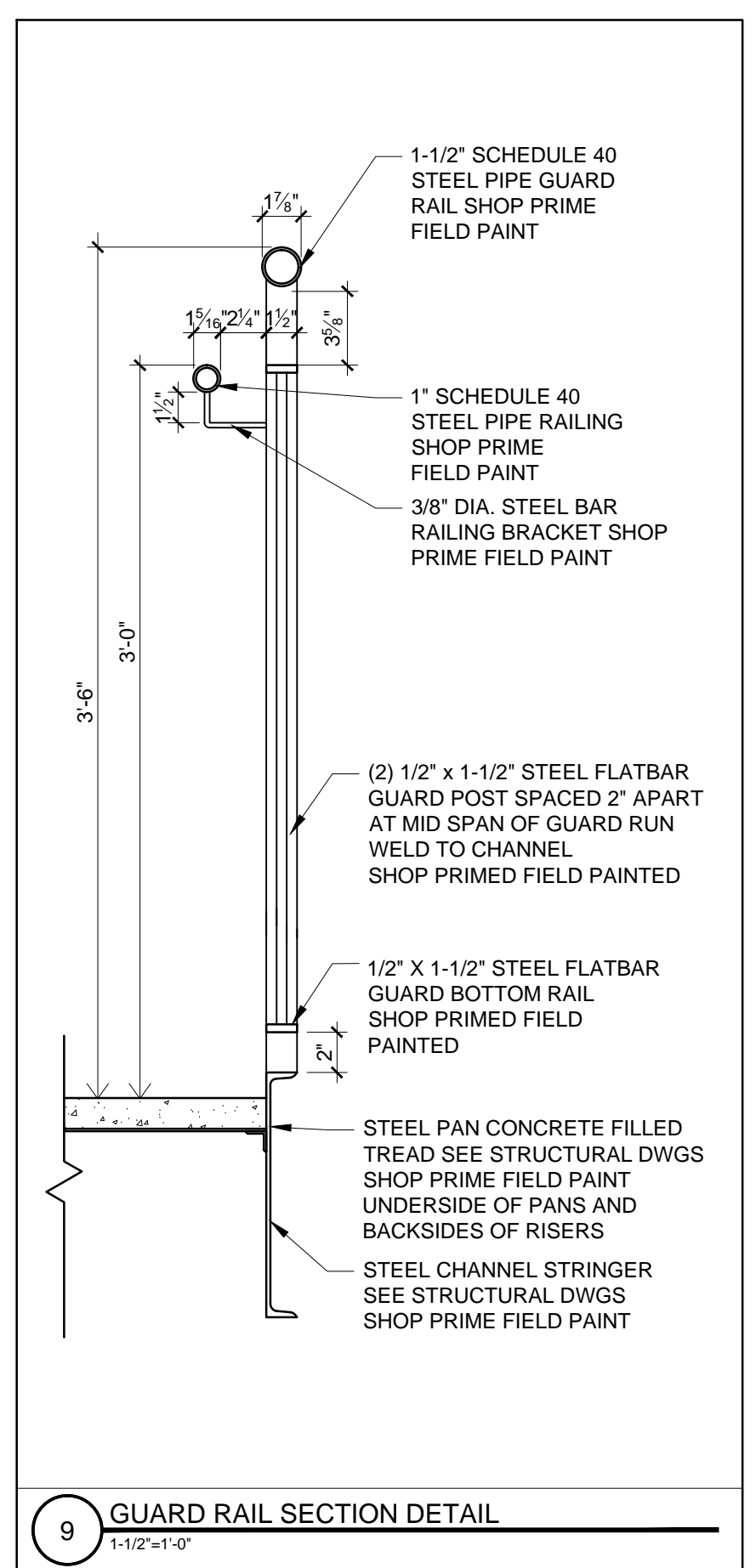
3 SOUTH STAIR - 1ST FLOOR PLAN
 1/4" = 1'-0"



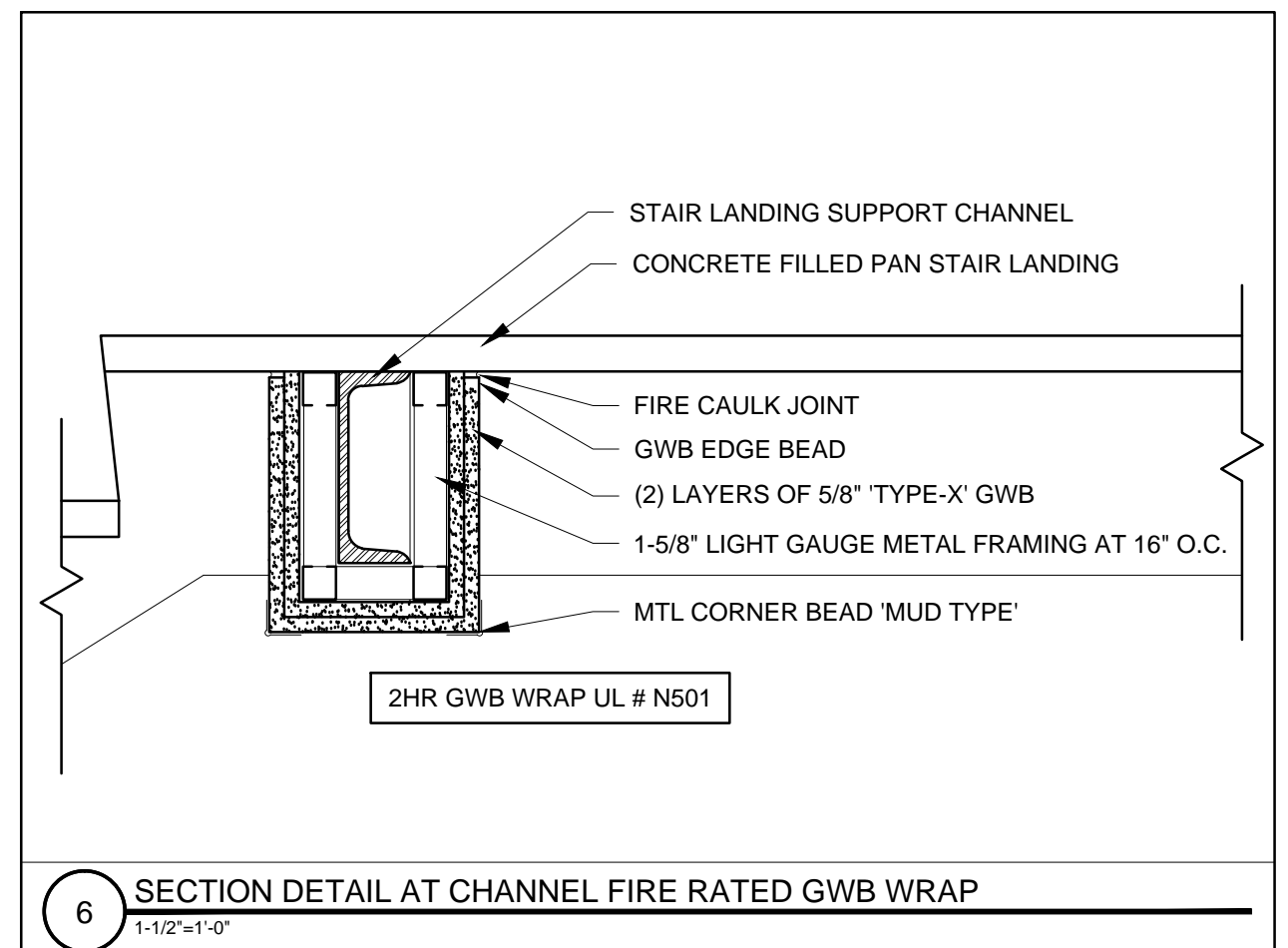
2 SOUTH STAIR - BASEMENT PLAN
 1/4" = 1'-0"



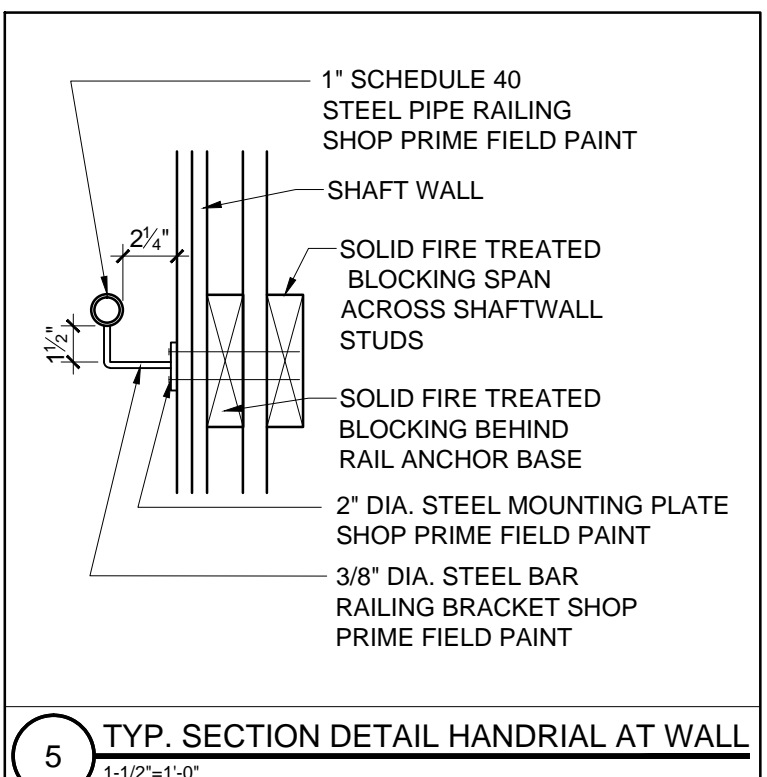
11 GUARD RAIL ELEVATION DETAIL
 1/4" = 1'-0"



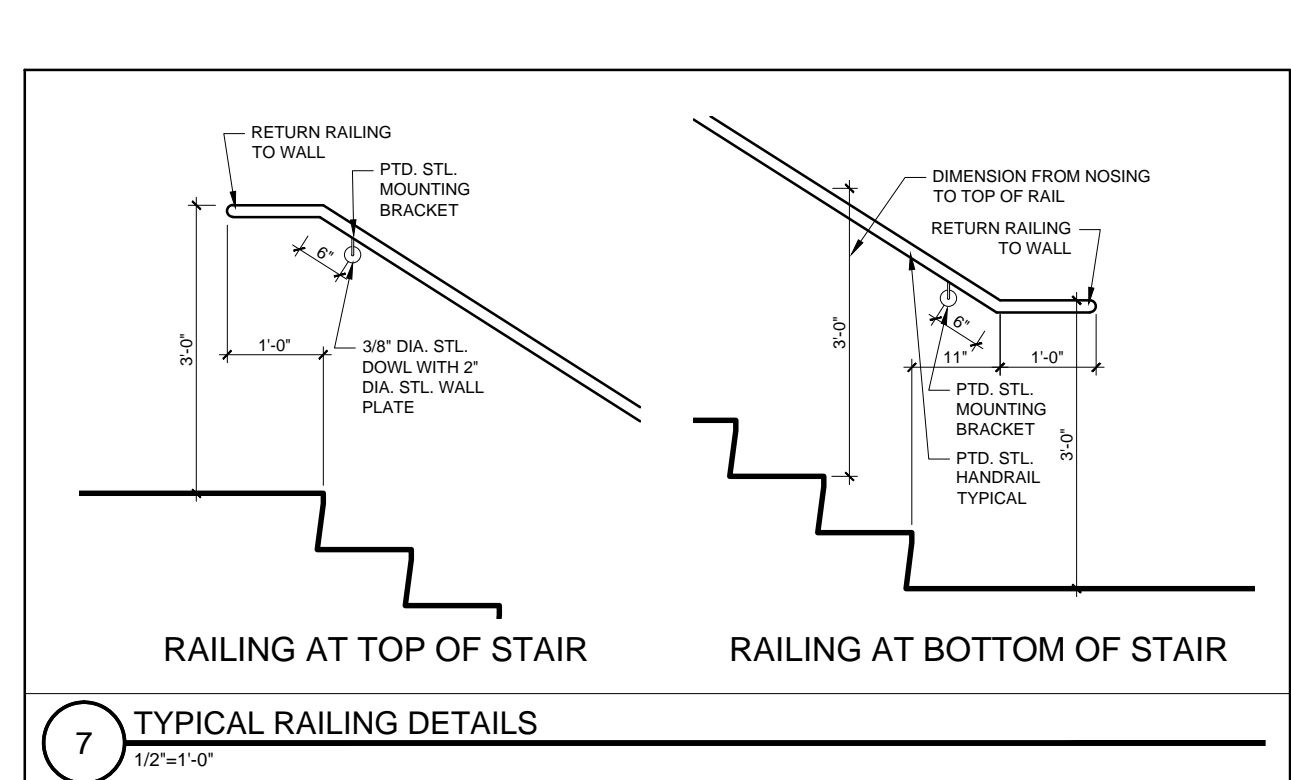
9 GUARD RAIL SECTION DETAIL
 1/16" = 1'-0"



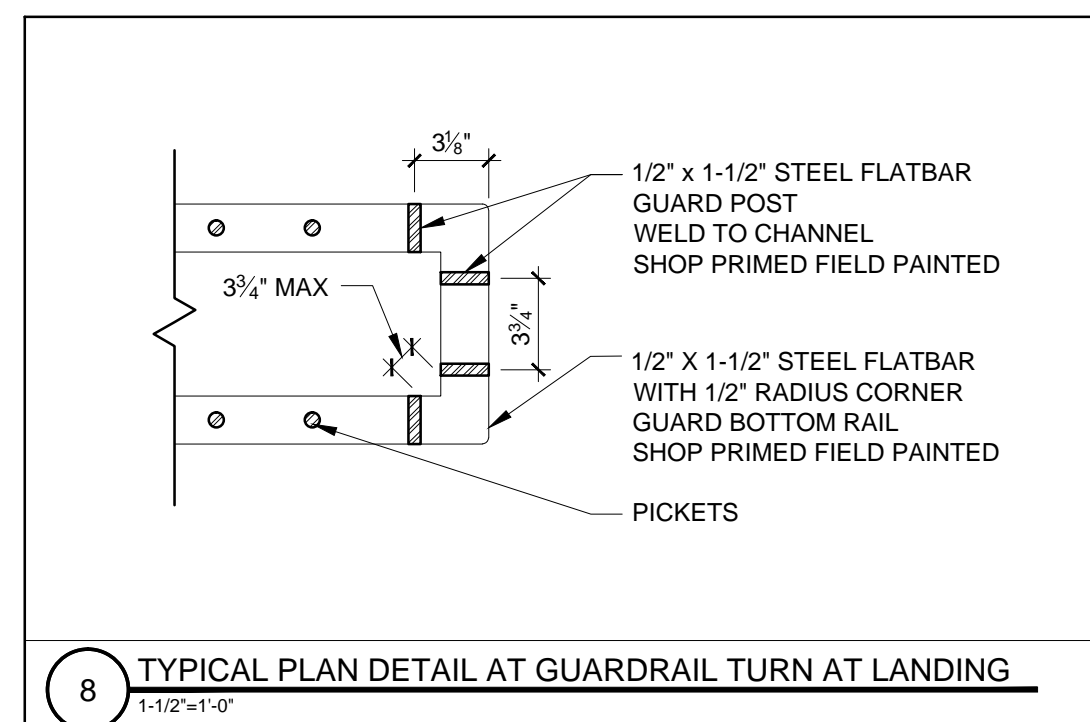
6 SECTION DETAIL AT CHANNEL FIRE RATED GWB WRAP
 1/16" = 1'-0"



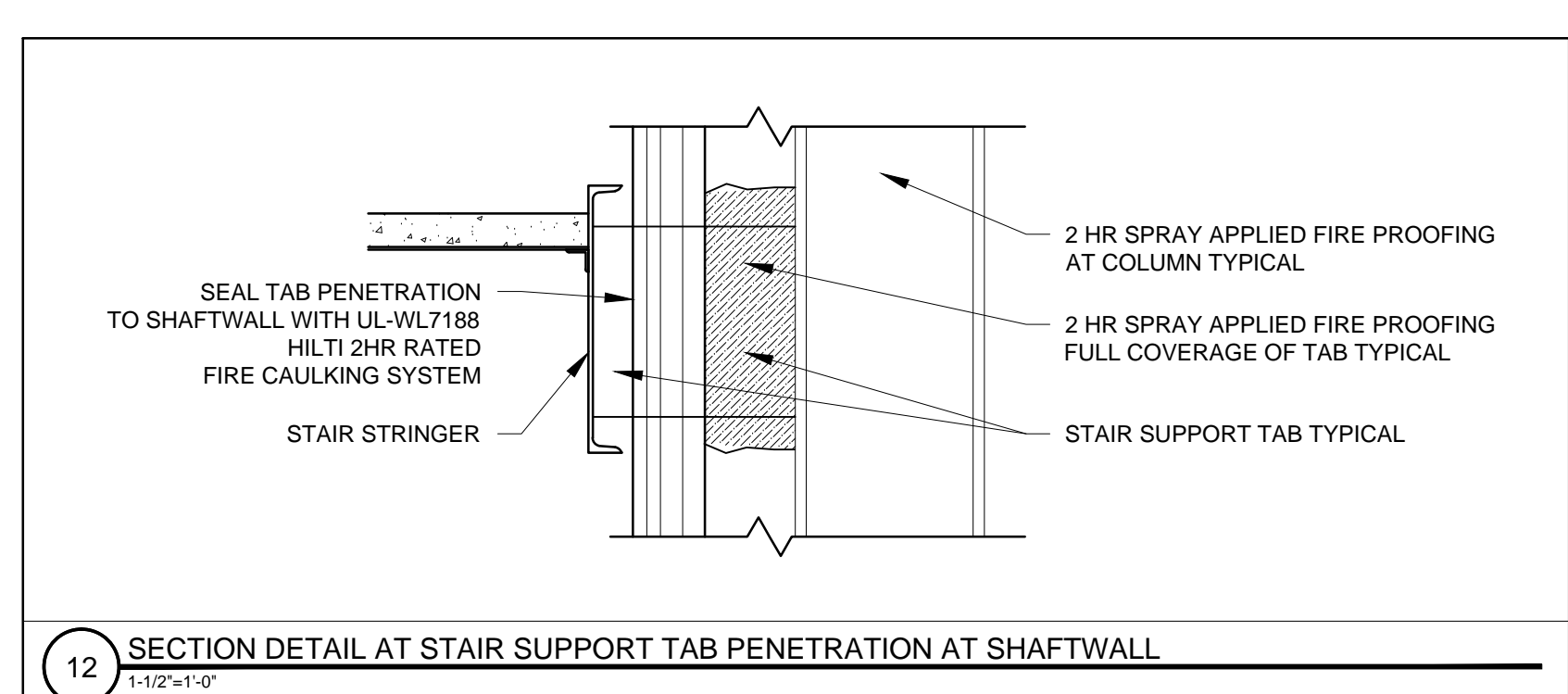
5 TYP. SECTION DETAIL HANDRAIL AT WALL
 1/16" = 1'-0"



7 TYPICAL RAILING DETAILS
 1/2" = 1'-0"



8 TYPICAL PLAN DETAIL AT GUARDRAIL TURN AT LANDING
 1/16" = 1'-0"



12 SECTION DETAIL AT STAIR SUPPORT TAB PENETRATION AT SHAFTWALL
 1/16" = 1'-0"