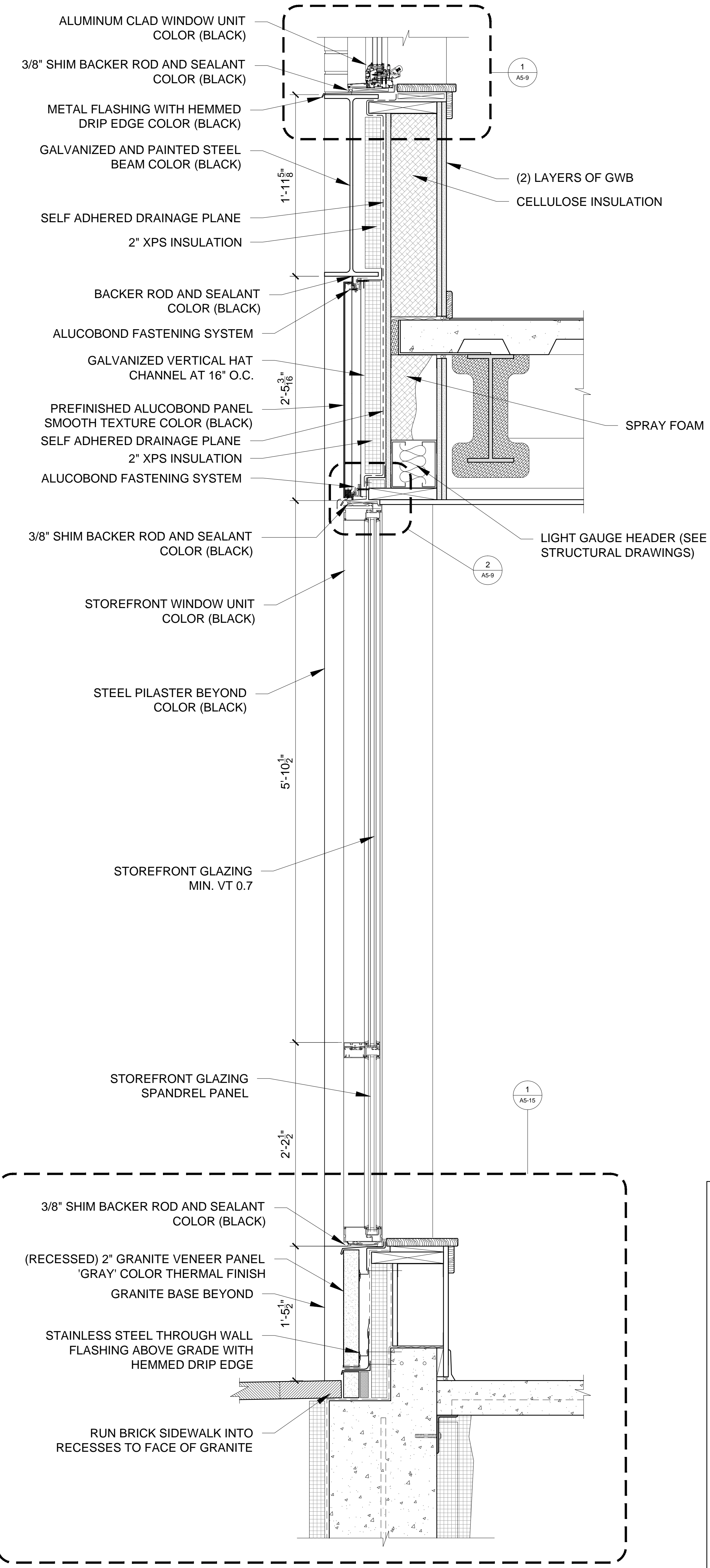
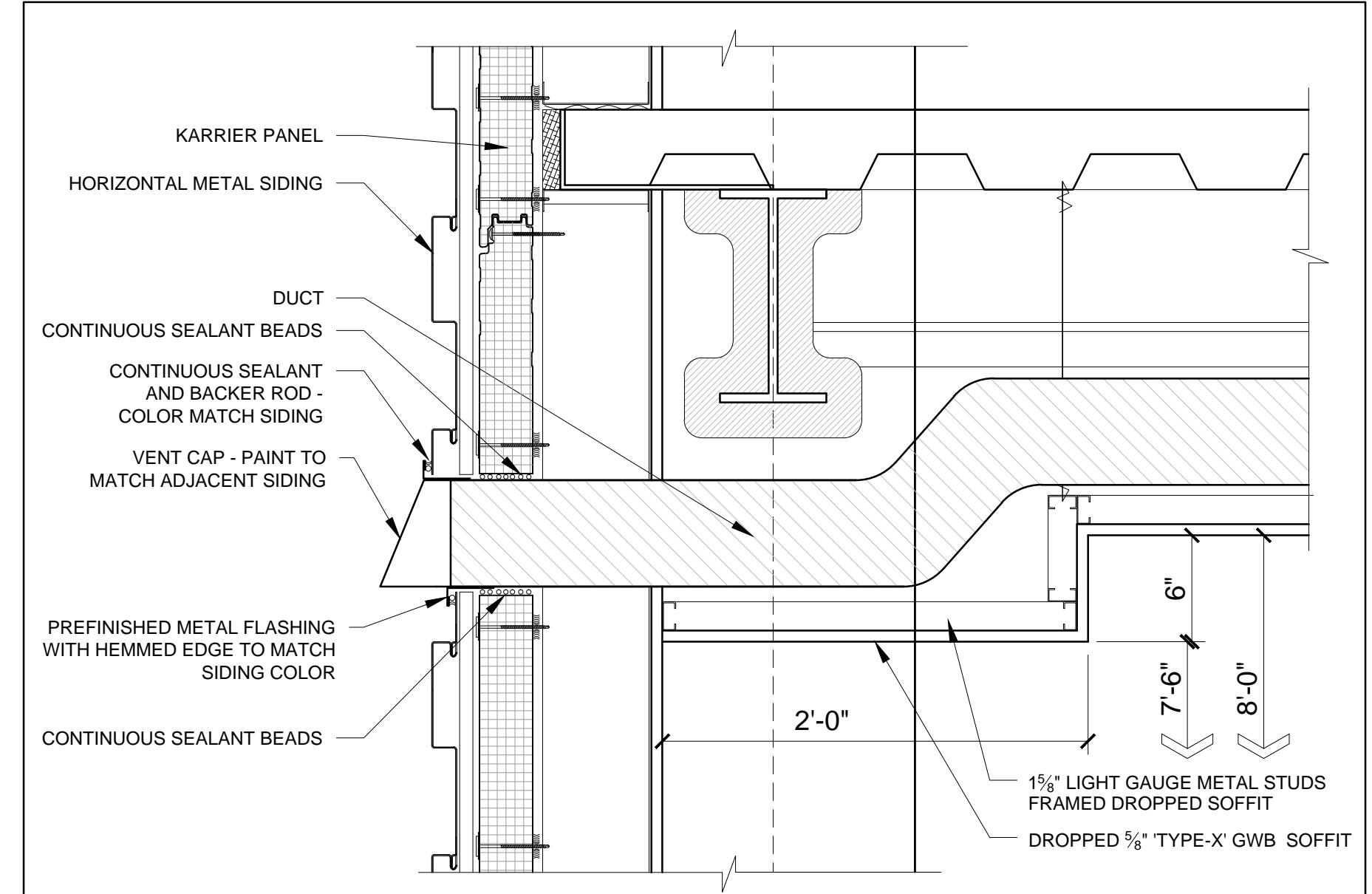


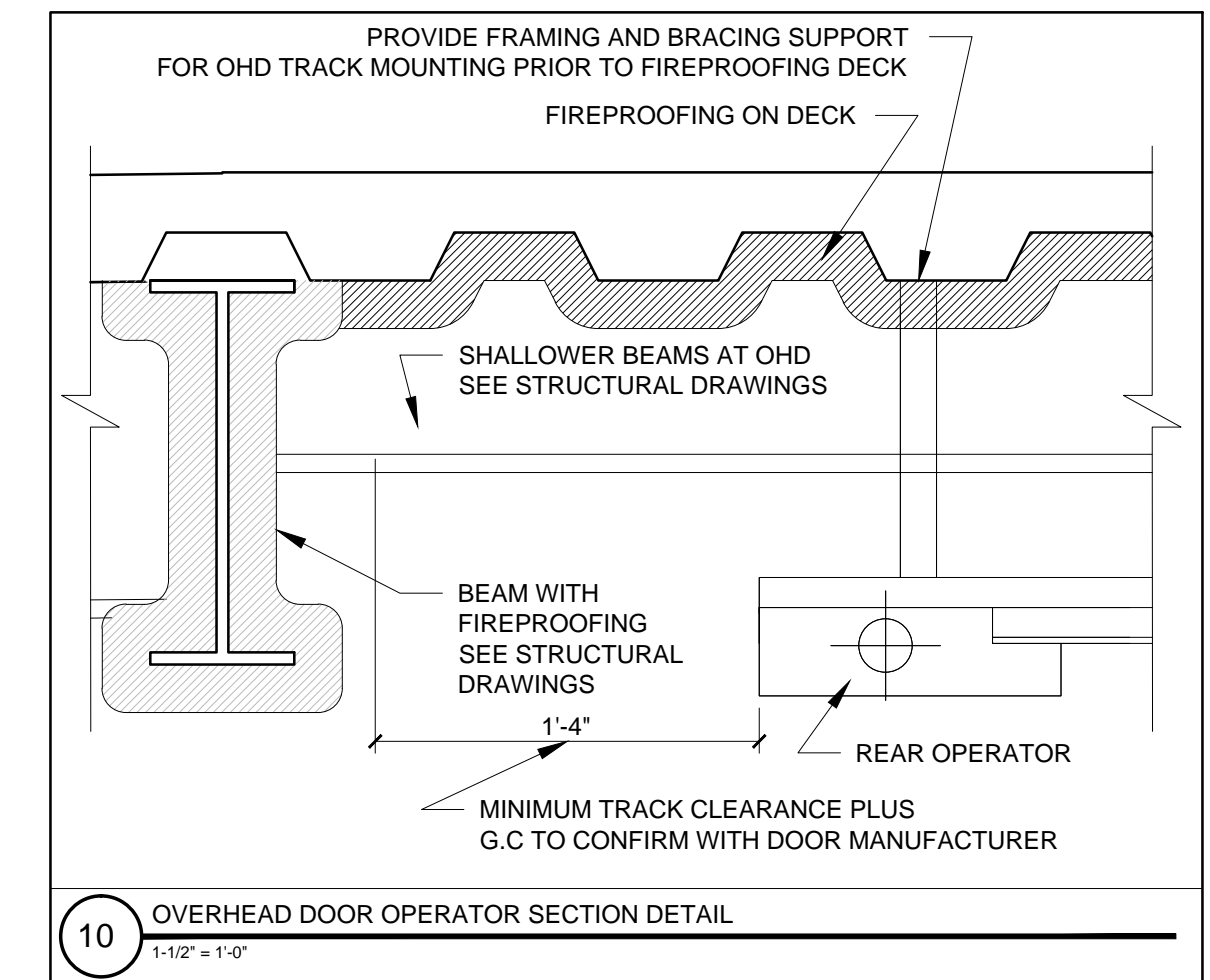
ALL JOINTS AT GRANITE PANELS TO HAVE THE GROUT RAKED BACK AND SEALANT APPLIED, COLOR MATCH GRANITE PANELS



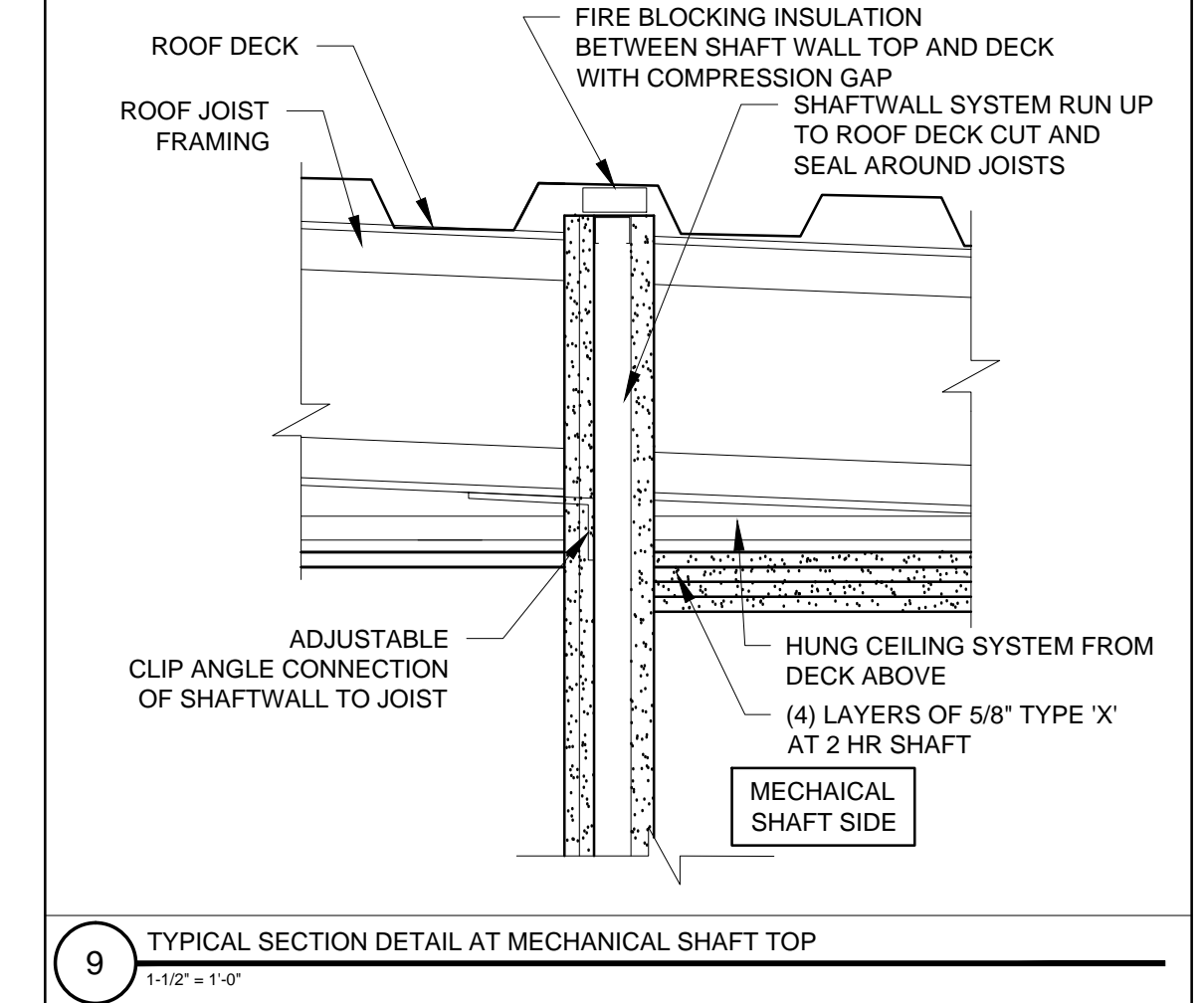
4 SECTION DETAIL AT FIRST FLOOR STOREFRONT
 1/12" = 1'-0"



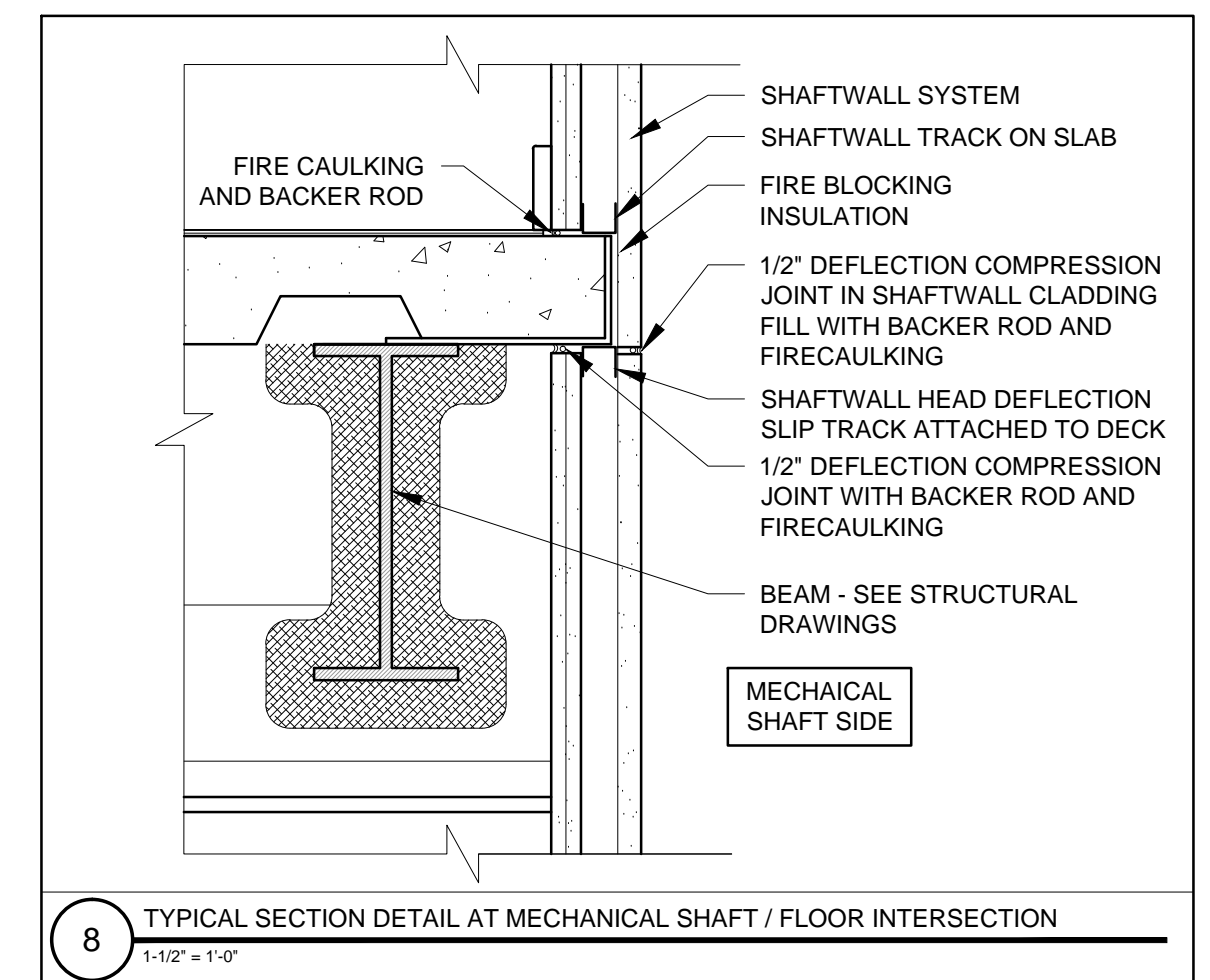
3 SECTION DETAIL AT DUCT SOFFIT WITHIN UNIT
 1/12" = 1'-0"



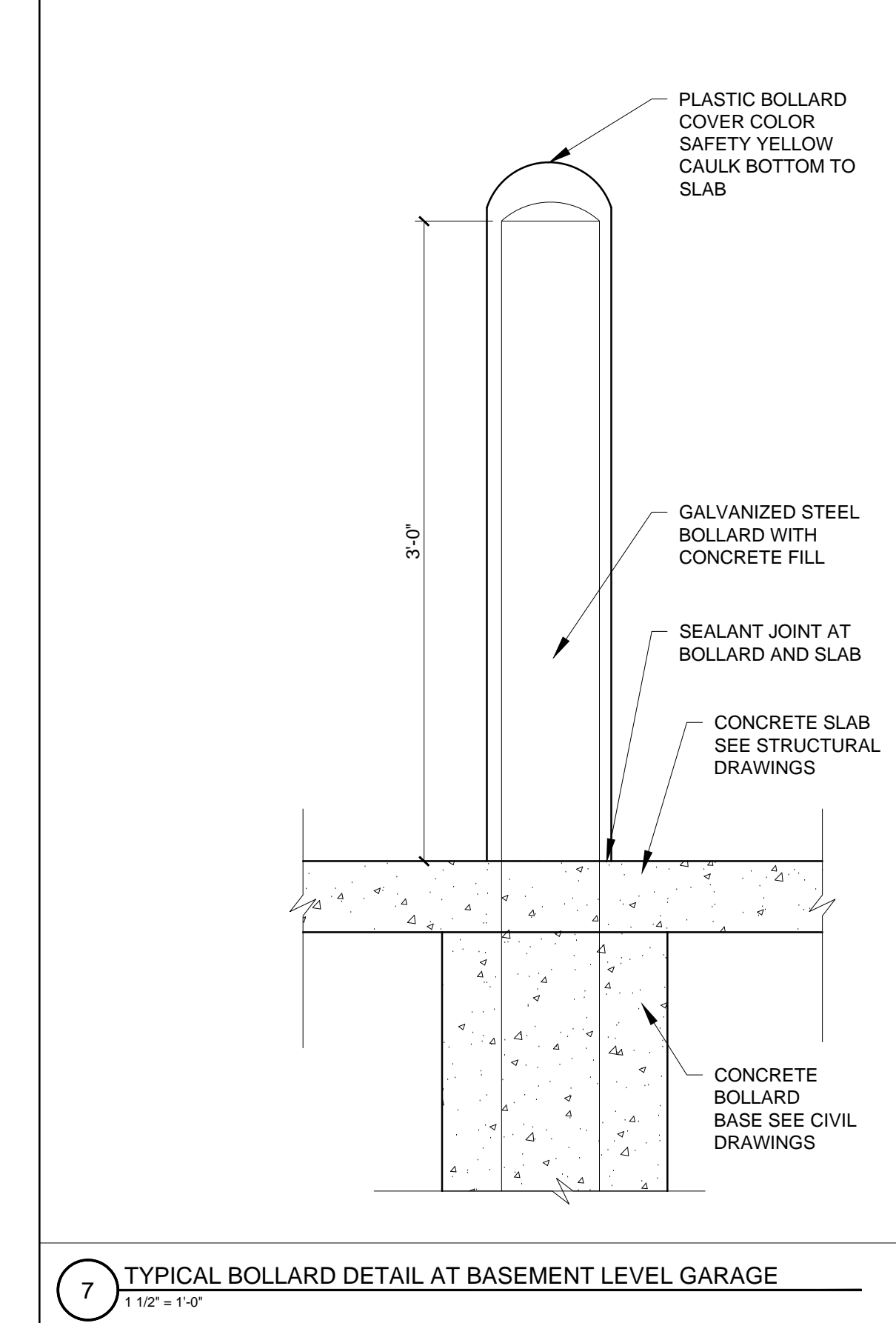
10 OVERHEAD DOOR OPERATOR SECTION DETAIL
 1/12" = 1'-0"



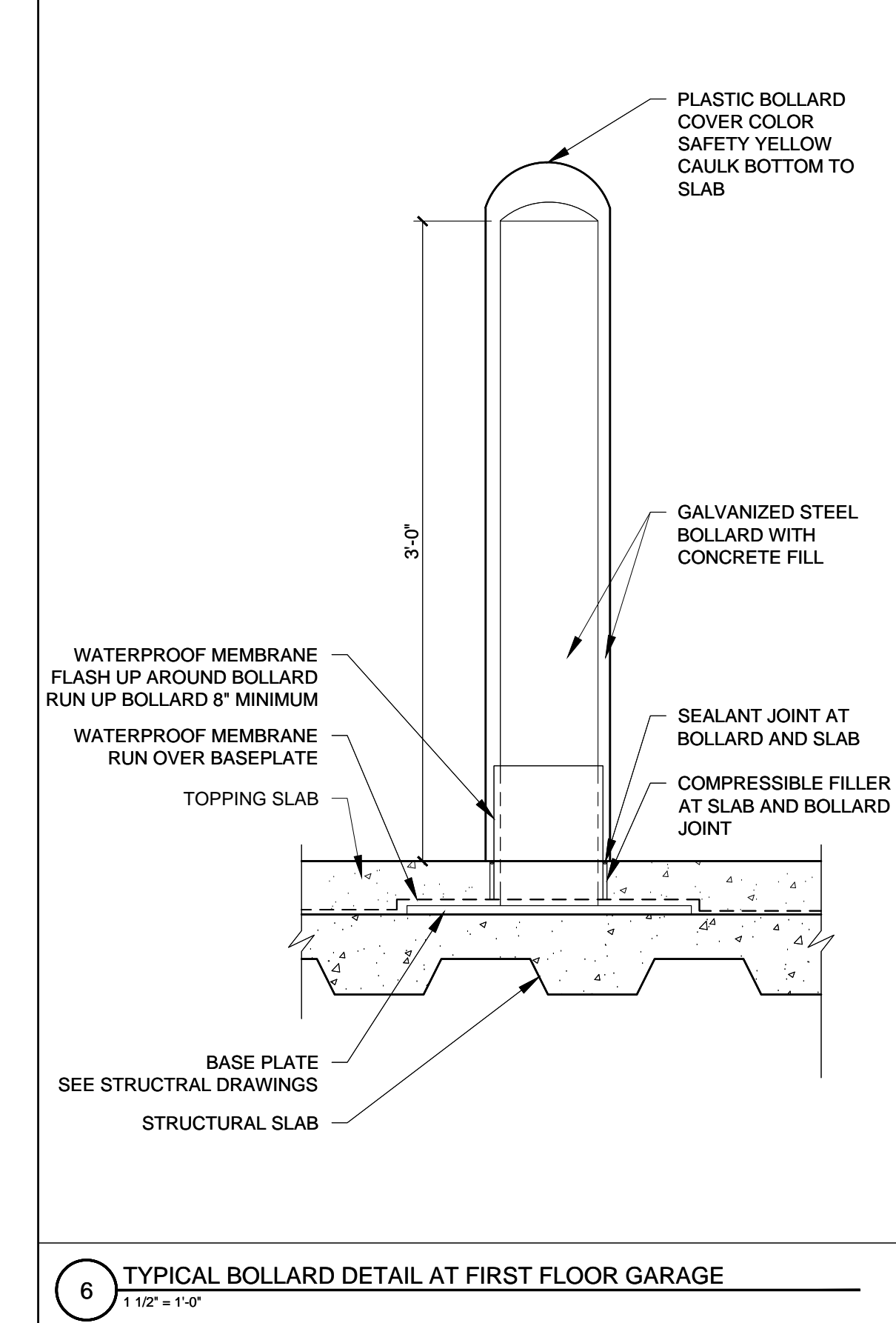
9 TYPICAL SECTION DETAIL AT MECHANICAL SHAFT TOP
 1/12" = 1'-0"



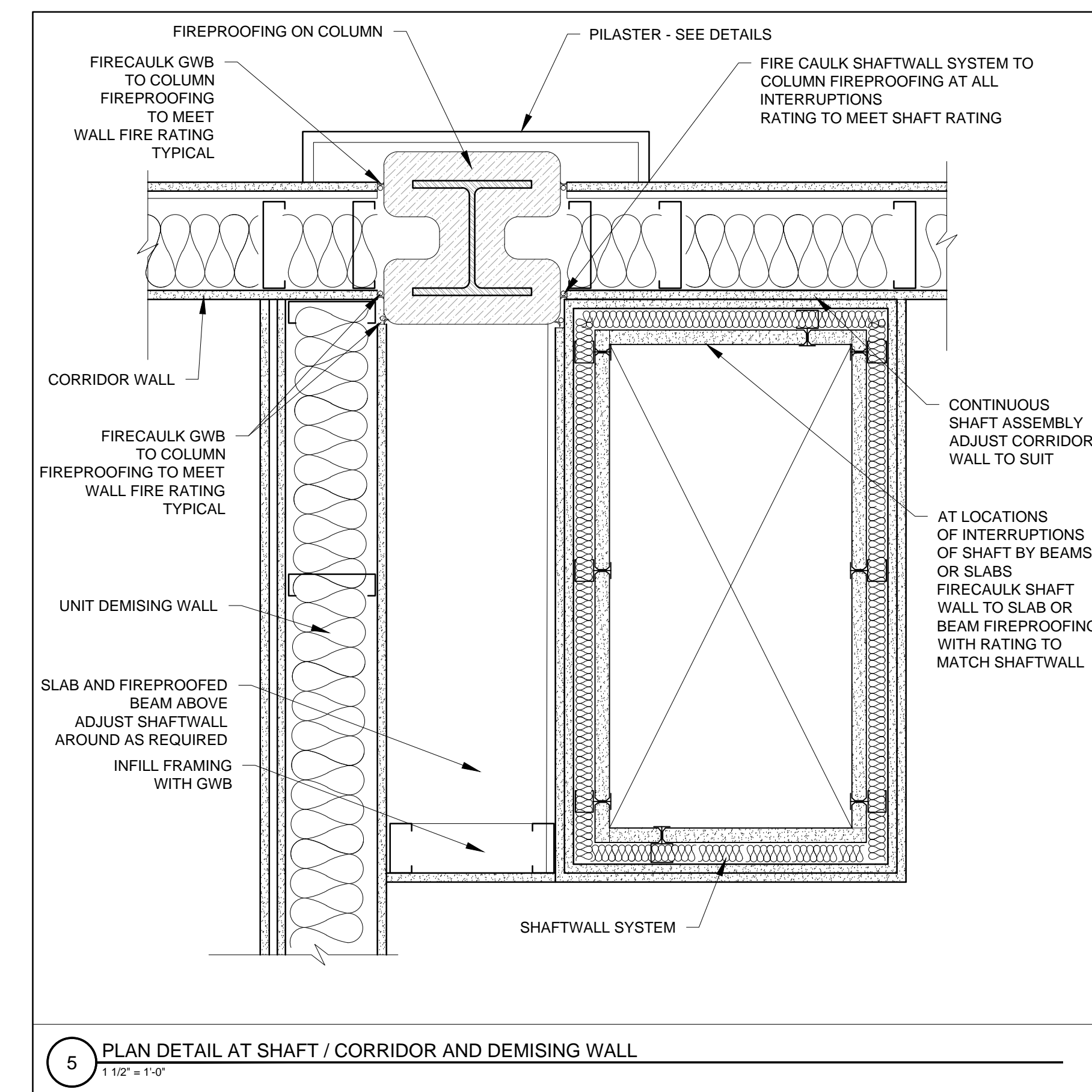
8 TYPICAL SECTION DETAIL AT MECHANICAL SHAFT / FLOOR INTERSECTION
 1/12" = 1'-0"



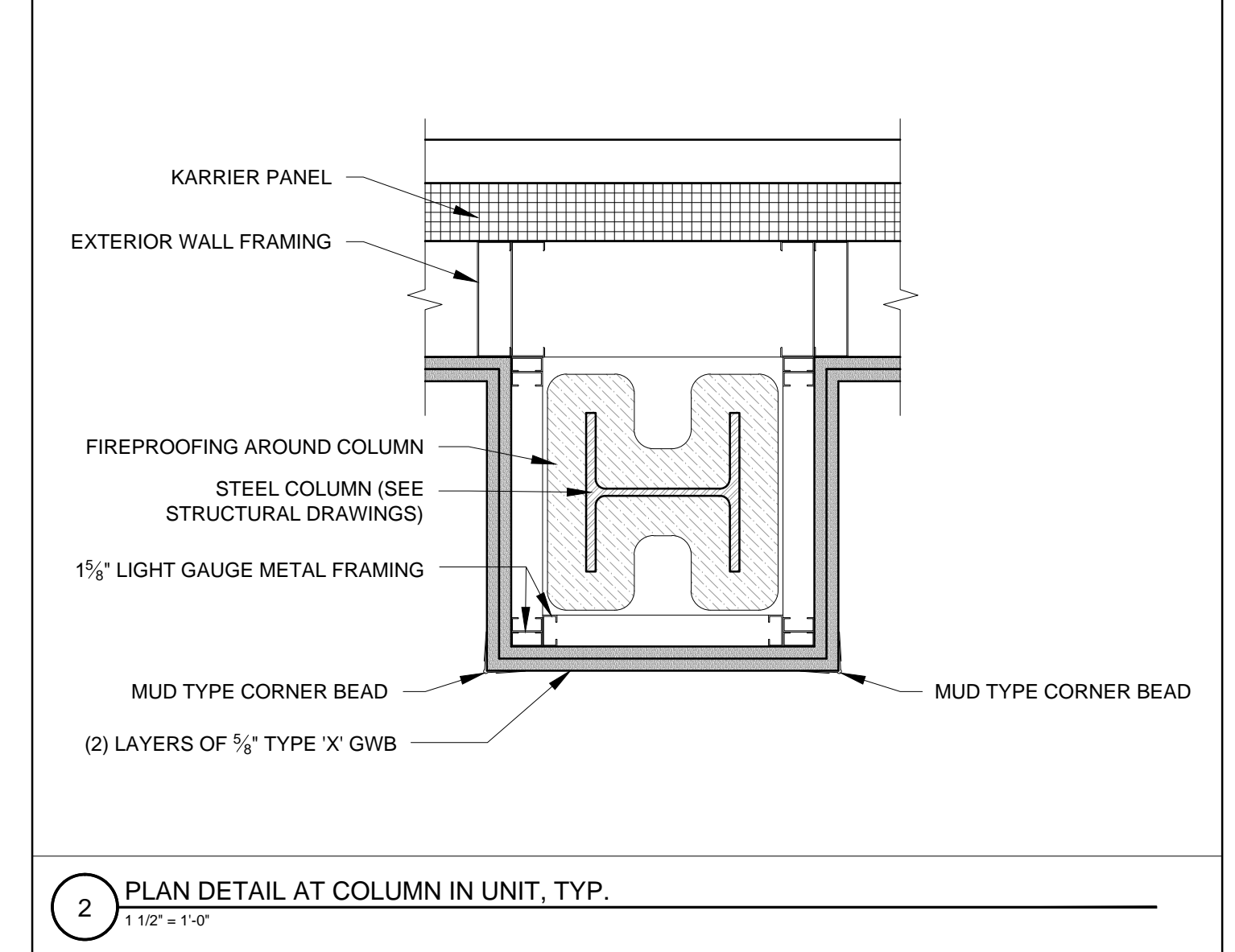
7 TYPICAL BOLLARD DETAIL AT BASEMENT LEVEL GARAGE
 1/12" = 1'-0"



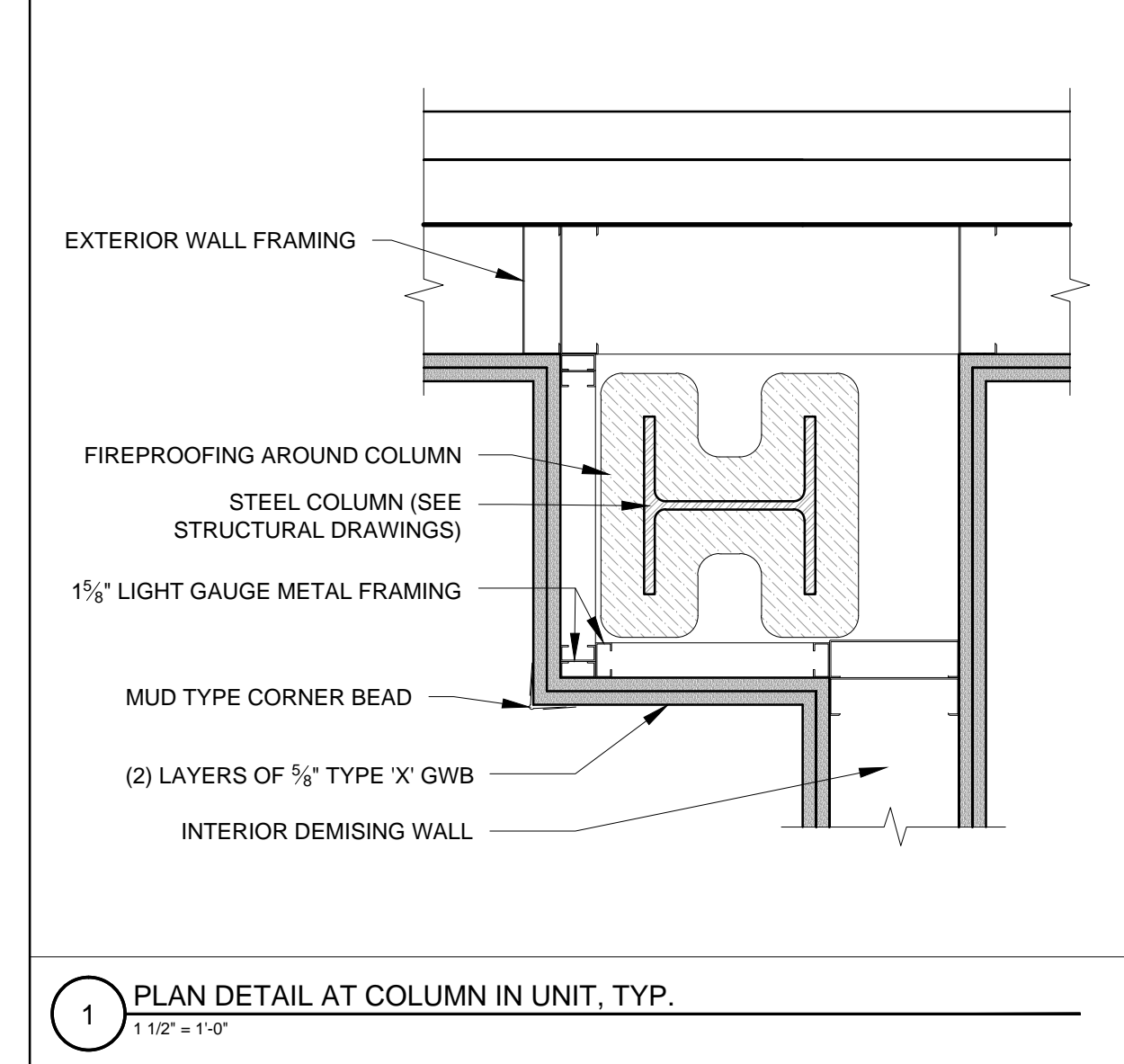
6 TYPICAL BOLLARD DETAIL AT FIRST FLOOR GARAGE
 1/12" = 1'-0"



5 PLAN DETAIL AT SHAFT / CORRIDOR AND DEMISING WALL
 1/12" = 1'-0"



2 PLAN DETAIL AT COLUMN IN UNIT, TYP.
 1/12" = 1'-0"



1 PLAN DETAIL AT COLUMN IN UNIT, TYP.
 1/12" = 1'-0"