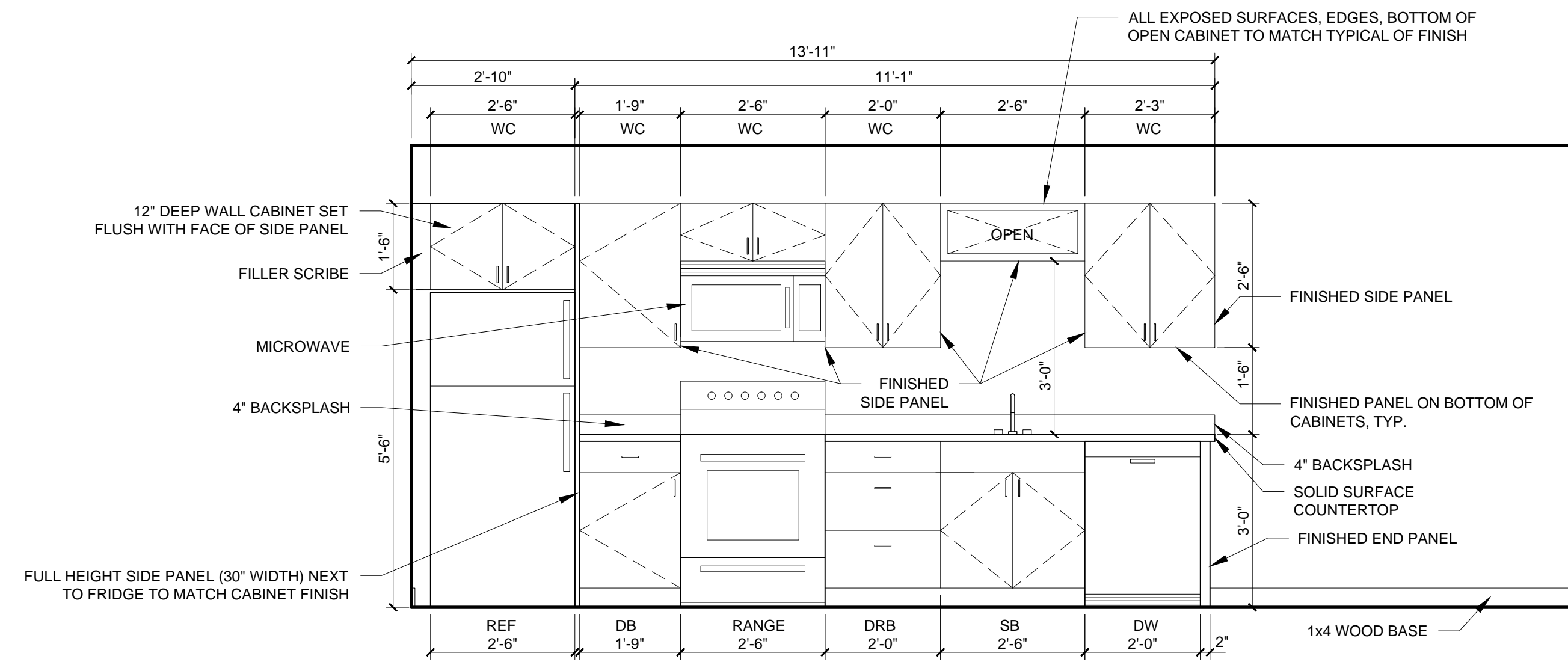
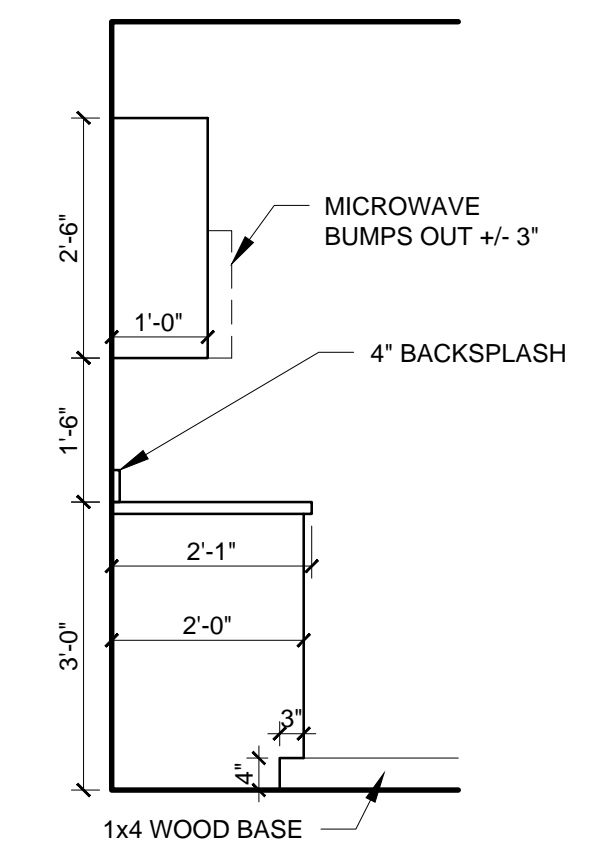


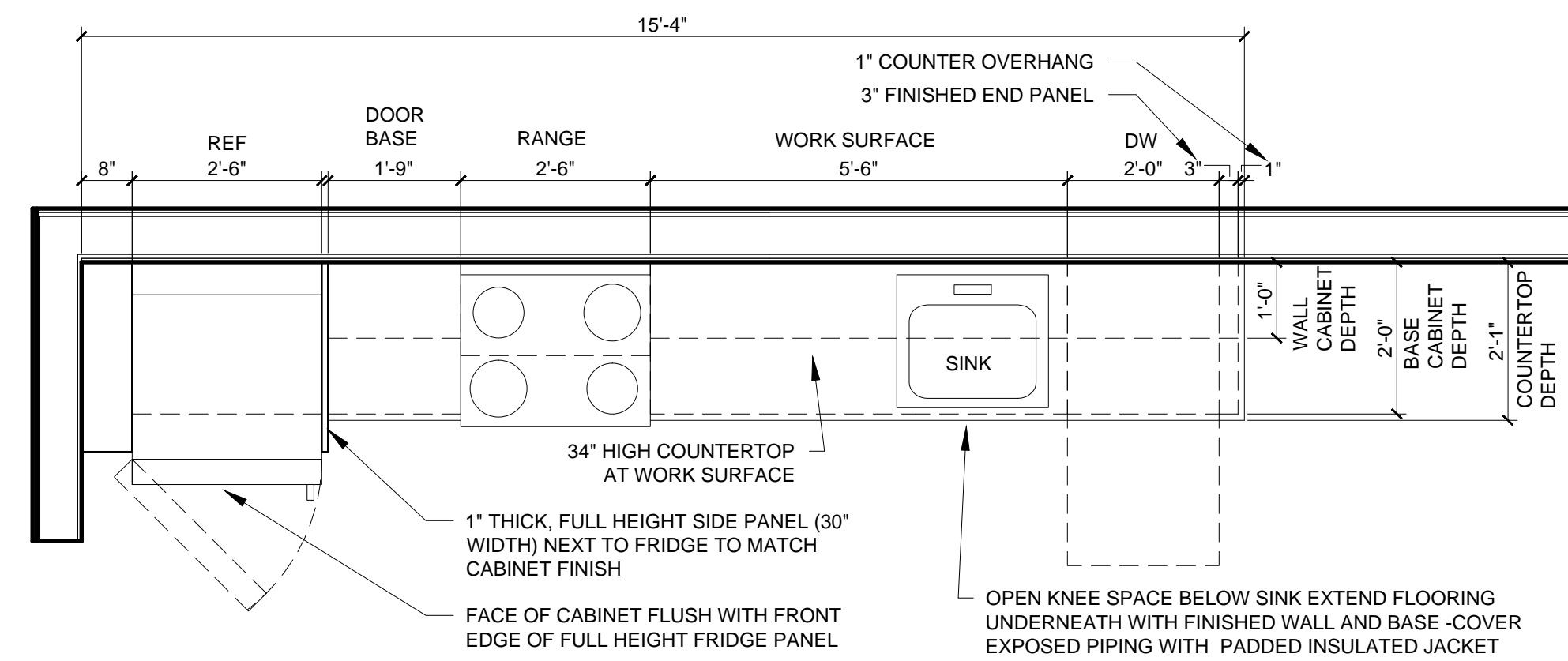
1 TYPE 1 KITCHEN - PLAN  
 1/2" = 1'-0"



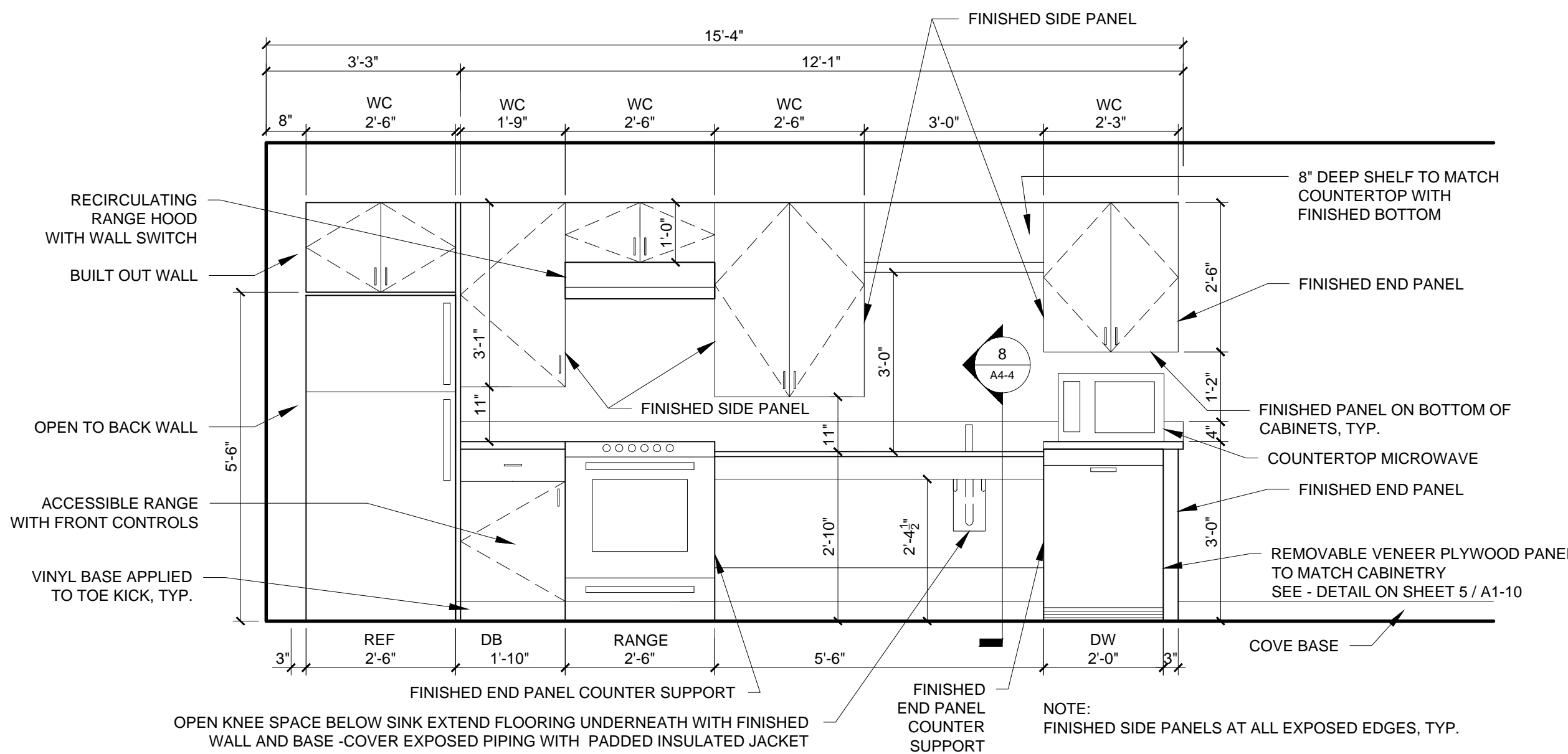
2 TYPE 1 KITCHEN - ELEVATION  
 1/2" = 1'-0"



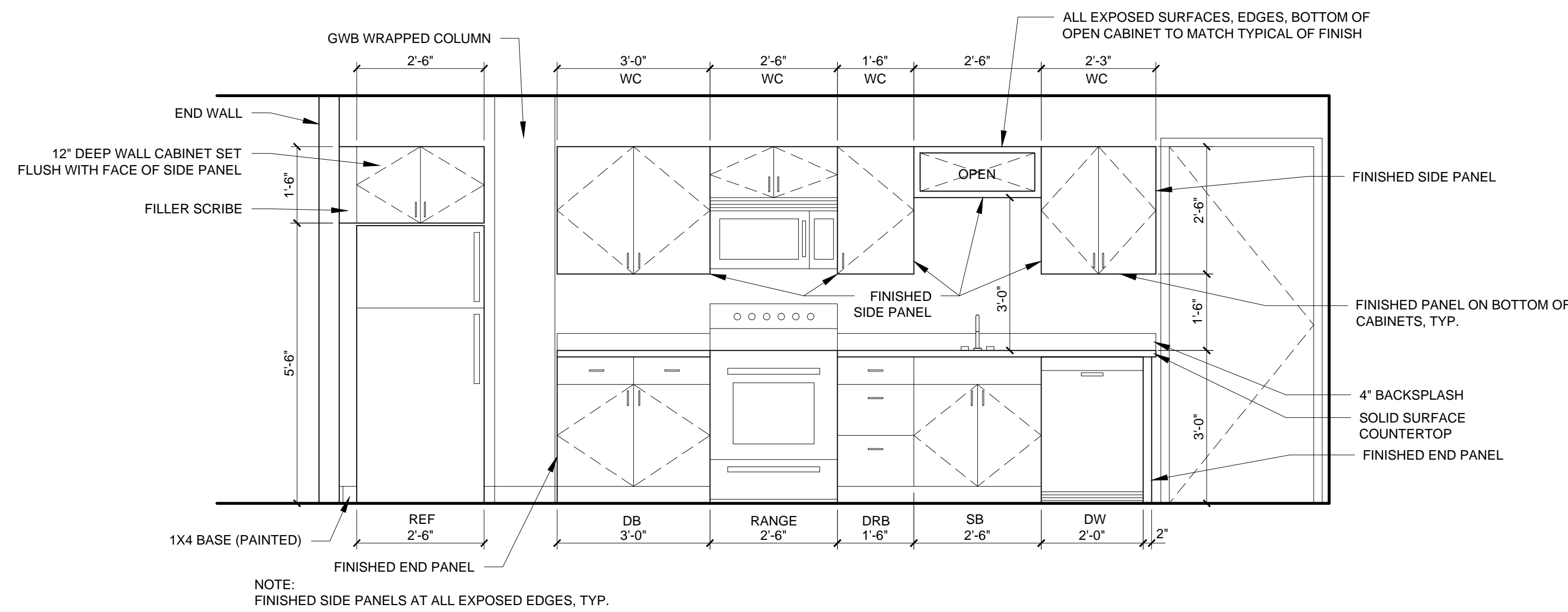
3 TYPE 1 KITCHEN - SECTION  
 1/2" = 1'-0"



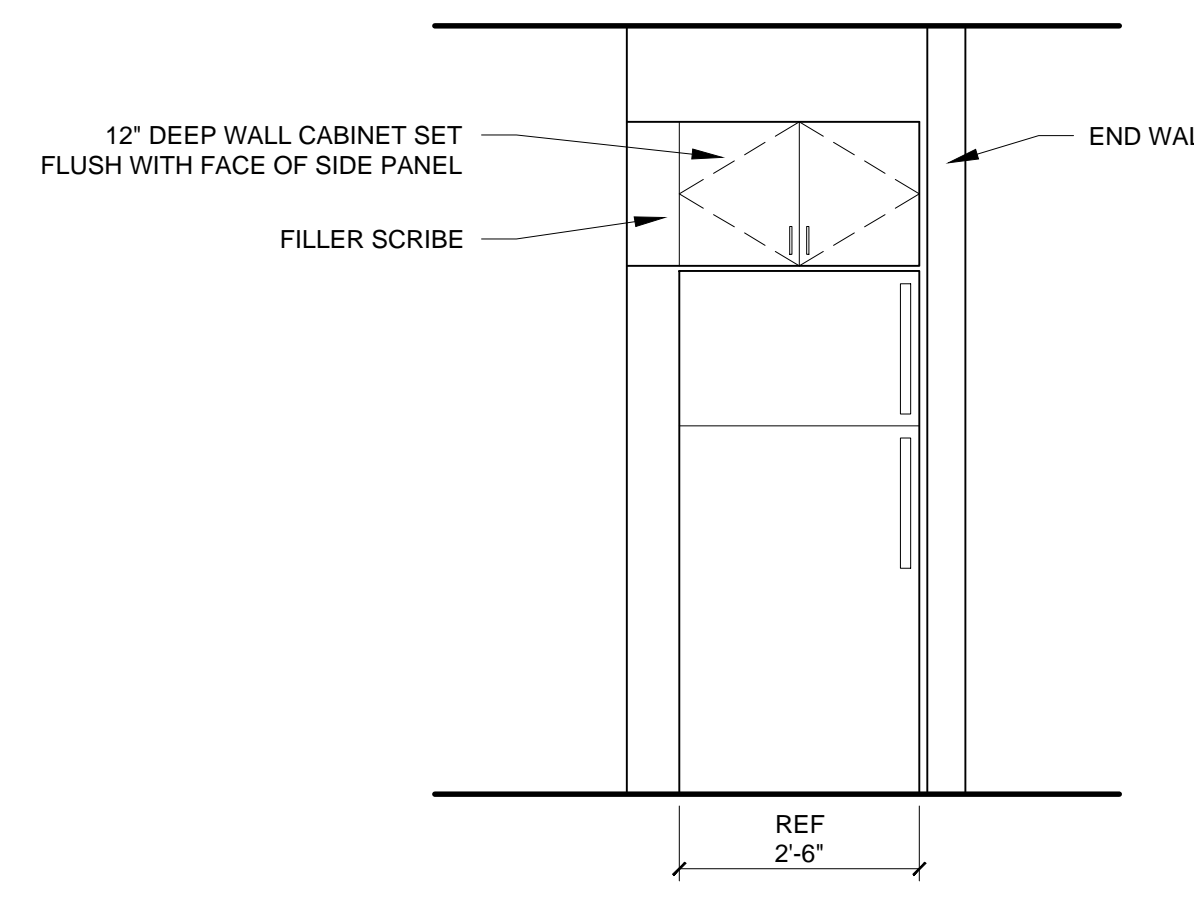
4 TYPE 2 (ADA) KITCHEN - PLAN  
 1/2" = 1'-0"



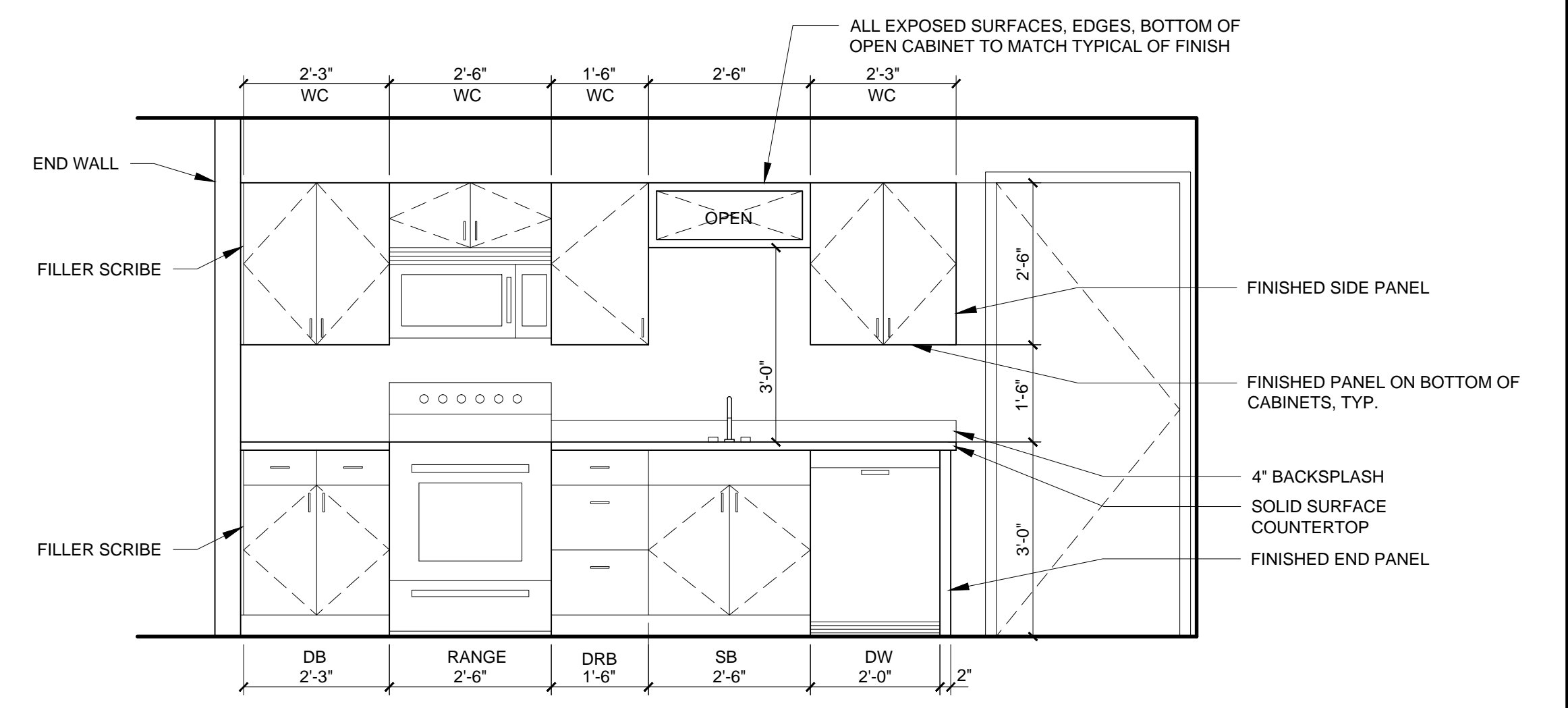
5 TYPE 2 (ADA) KITCHEN - ELEVATION  
 1/2" = 1'-0"



6 TYPE 3 KITCHEN - ELEVATION  
 1/2" = 1'-0"



7 TYPE 4 KITCHEN - REF. ELEVATION  
 1/2" = 1'-0"



8 TYPE 4 KITCHEN - ELEVATION  
 1/2" = 1'-0"