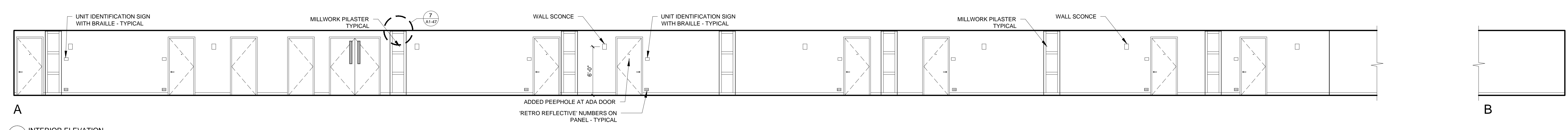
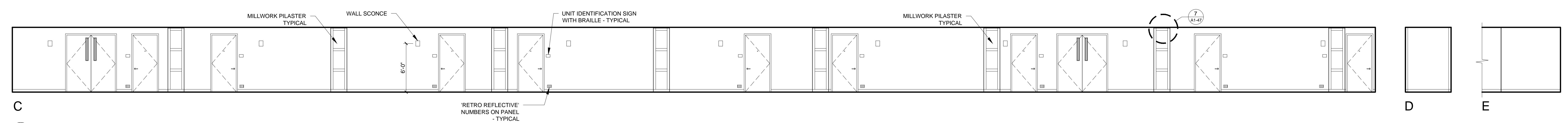


1 SECOND FLOOR CORRIDOR PLAN
 3/16" = 1'-0"

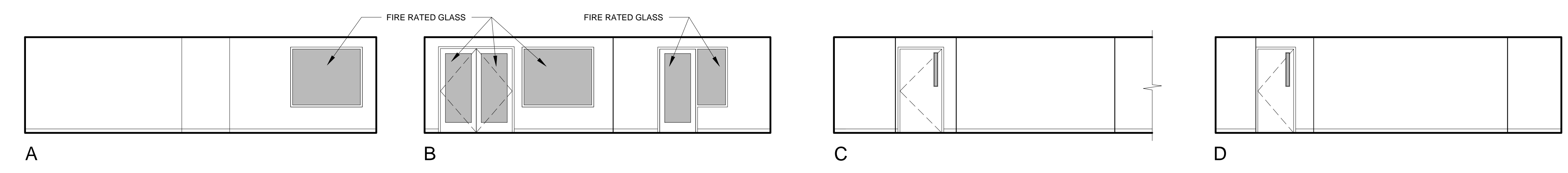
LIGHTING SHOWN FOR REFERENCE ONLY
 SEE ELECTRICAL PLANS FOR LIGHTING LAYOUT



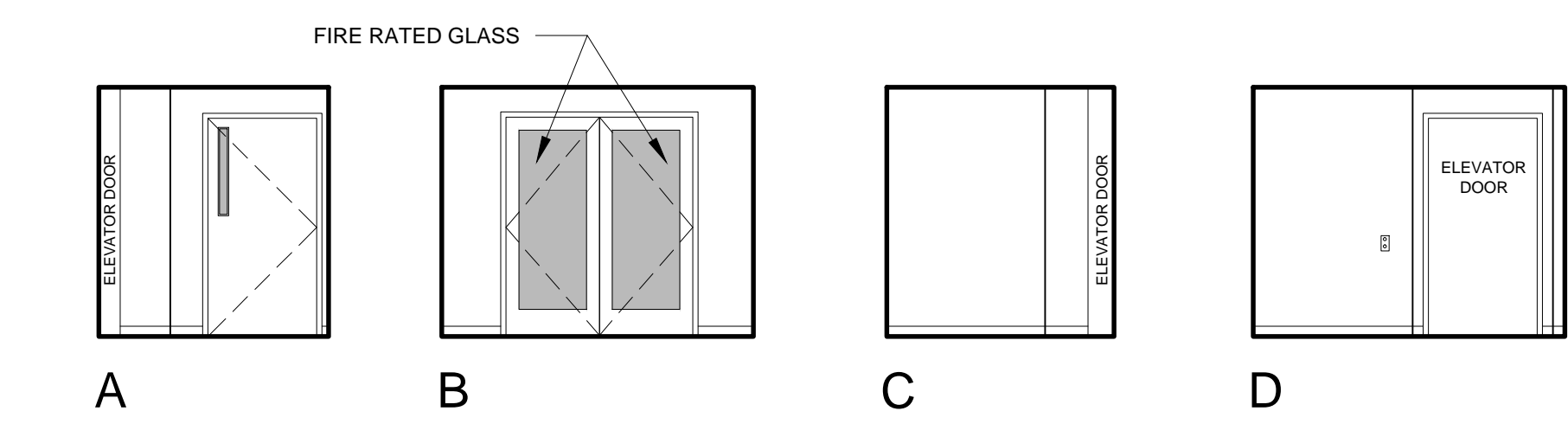
2 INTERIOR ELEVATION
 3/16" = 1'-0"



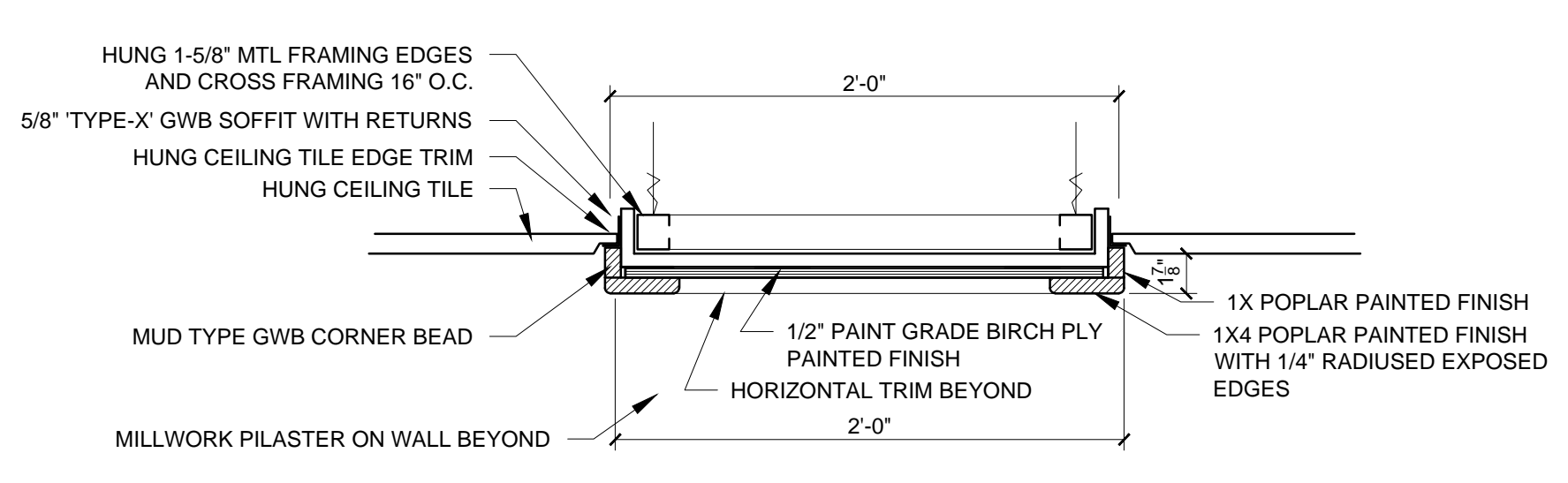
2 INTERIOR ELEVATION (CONTINUED)
 3/16" = 1'-0"



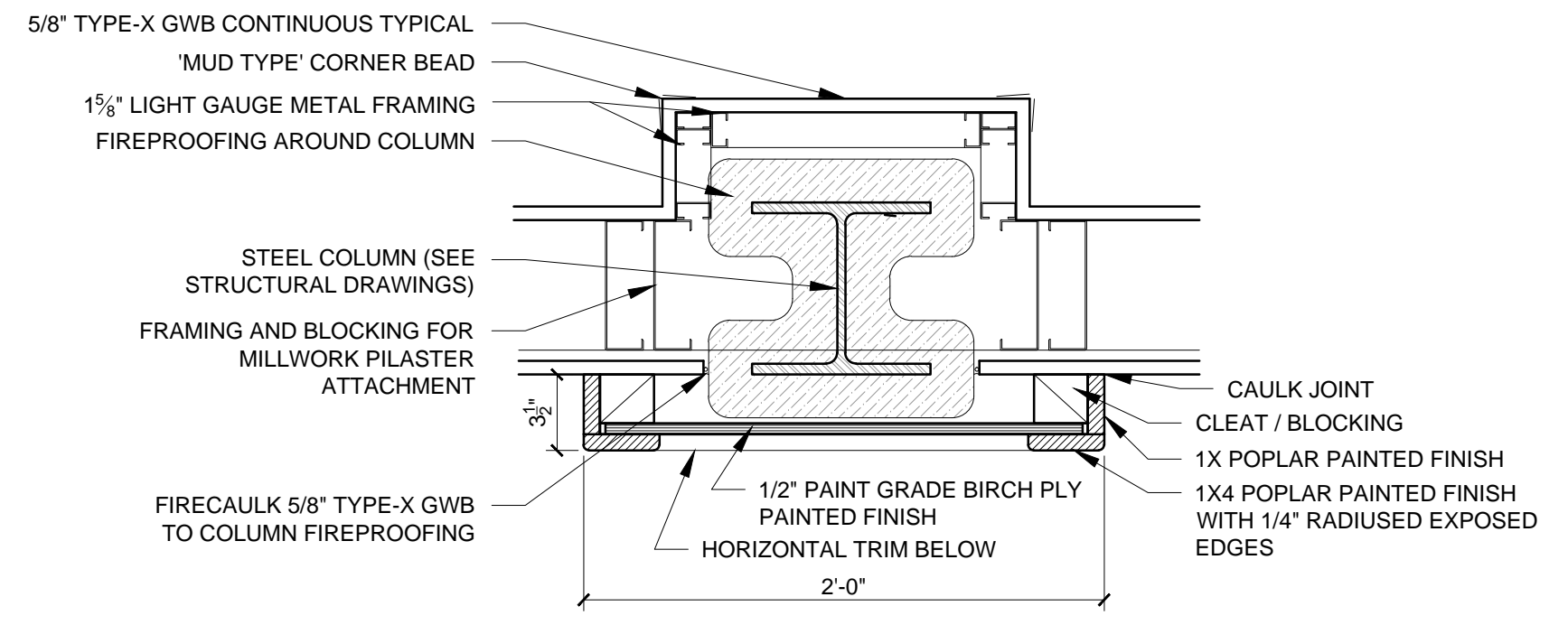
3 INTERIOR ELEVATION
 3/16" = 1'-0"



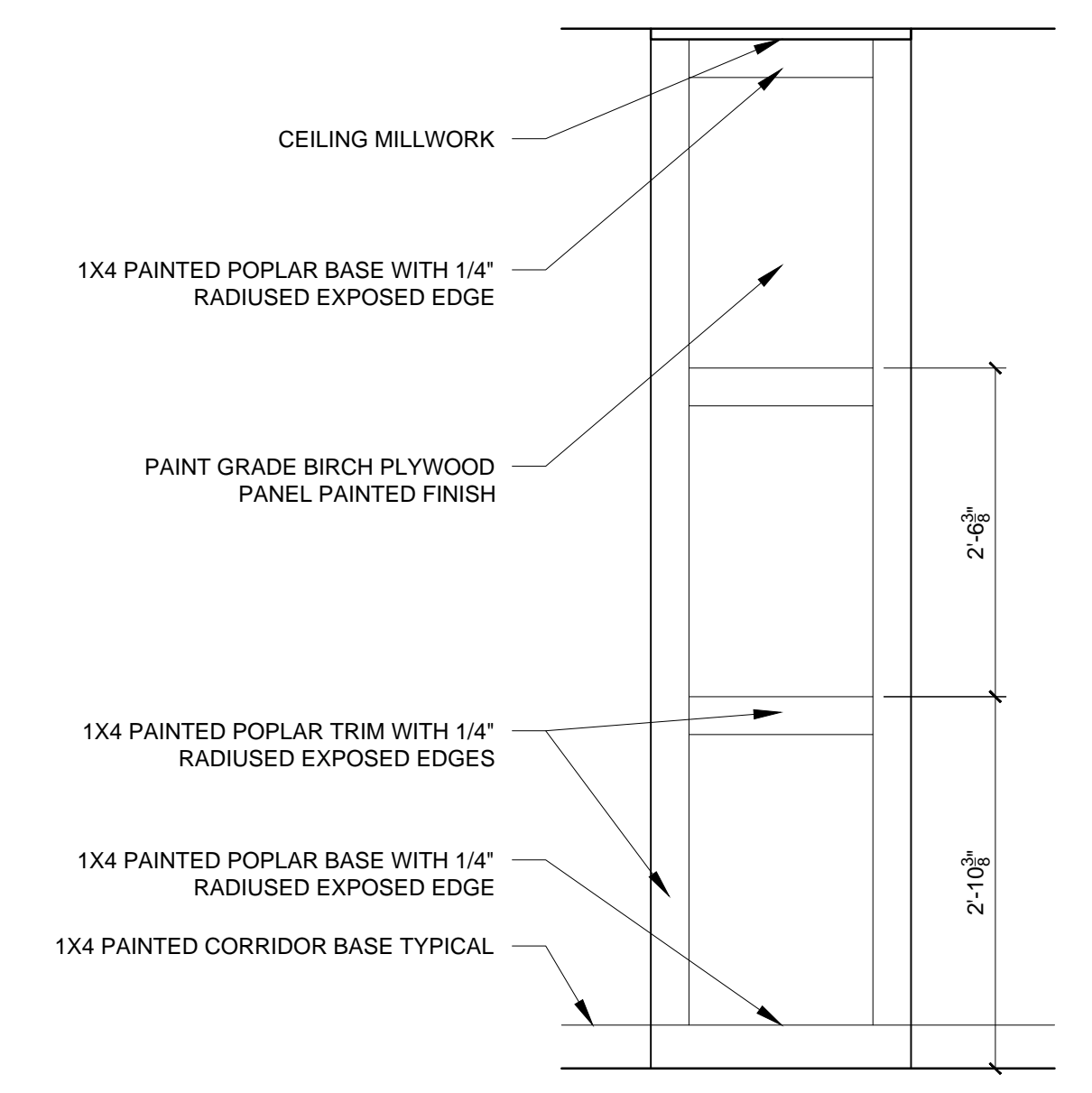
4 INTERIOR ELEVATION
 3/16" = 1'-0"



7 MILLWORK CEILING SECTION DETAIL
 1/12" = 1'-0"



5 MILLWORK PILASTER PLAN DETAIL
 1/12" = 1'-0"



6 MILLWORK PILASTER ELEVATION DETAIL
 3/4" = 1'-0"