

© 2015 RYAN SENATORE ARCHITECTURE

**667 CONGRESS STREET
APARTMENTS
PORTLAND, MAINE**



**RYAN SENATORE
ARCHITECTURE**
667 CONGRESS STREET
PORTLAND, MAINE 04101
207-650-6414
rsenatorearchitecture.com

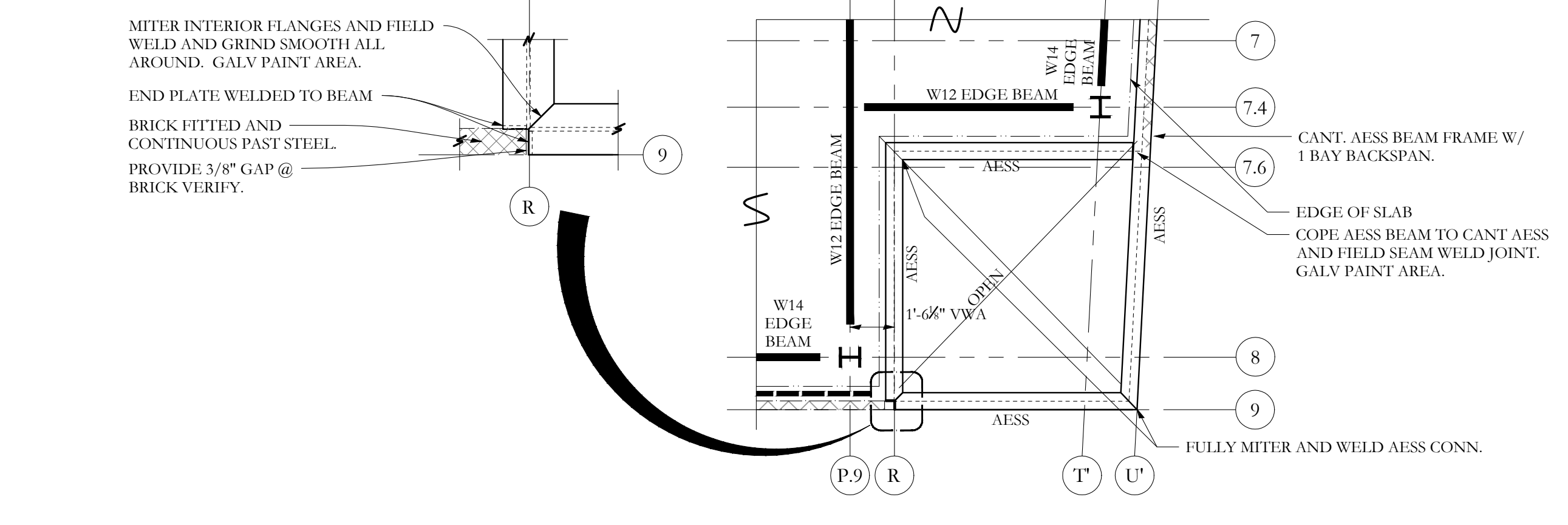
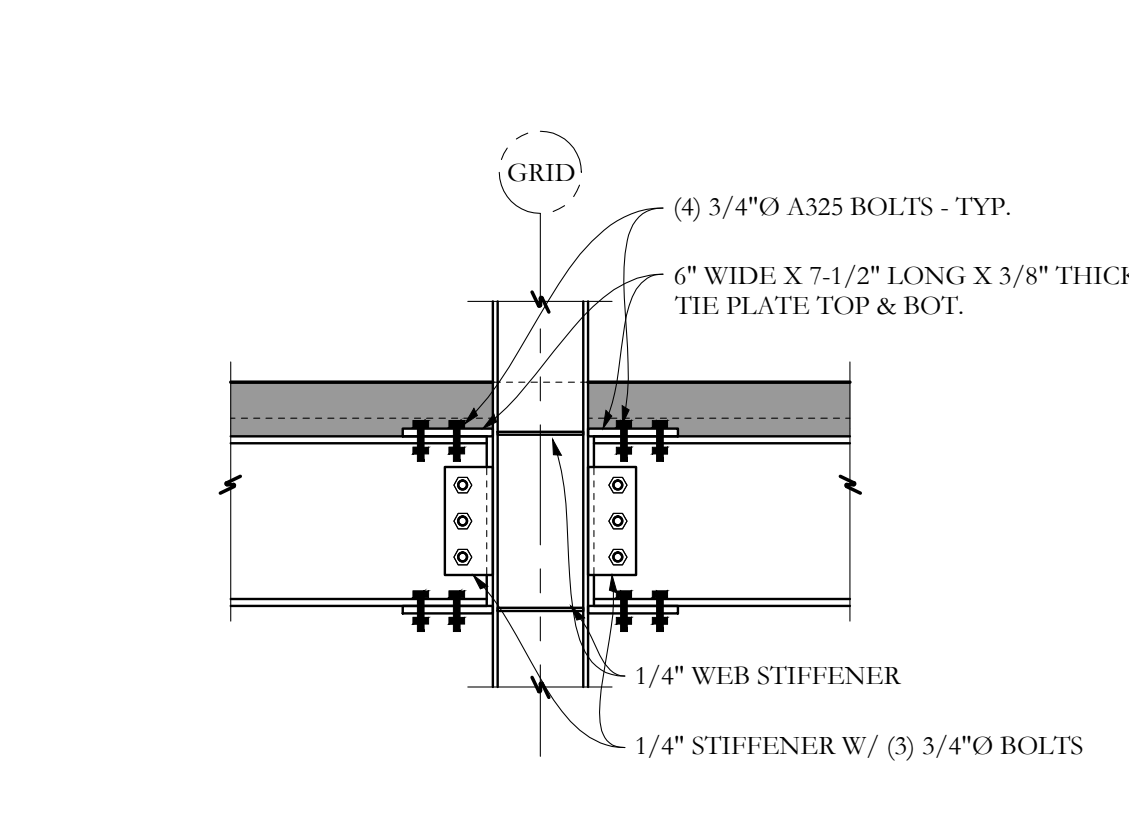
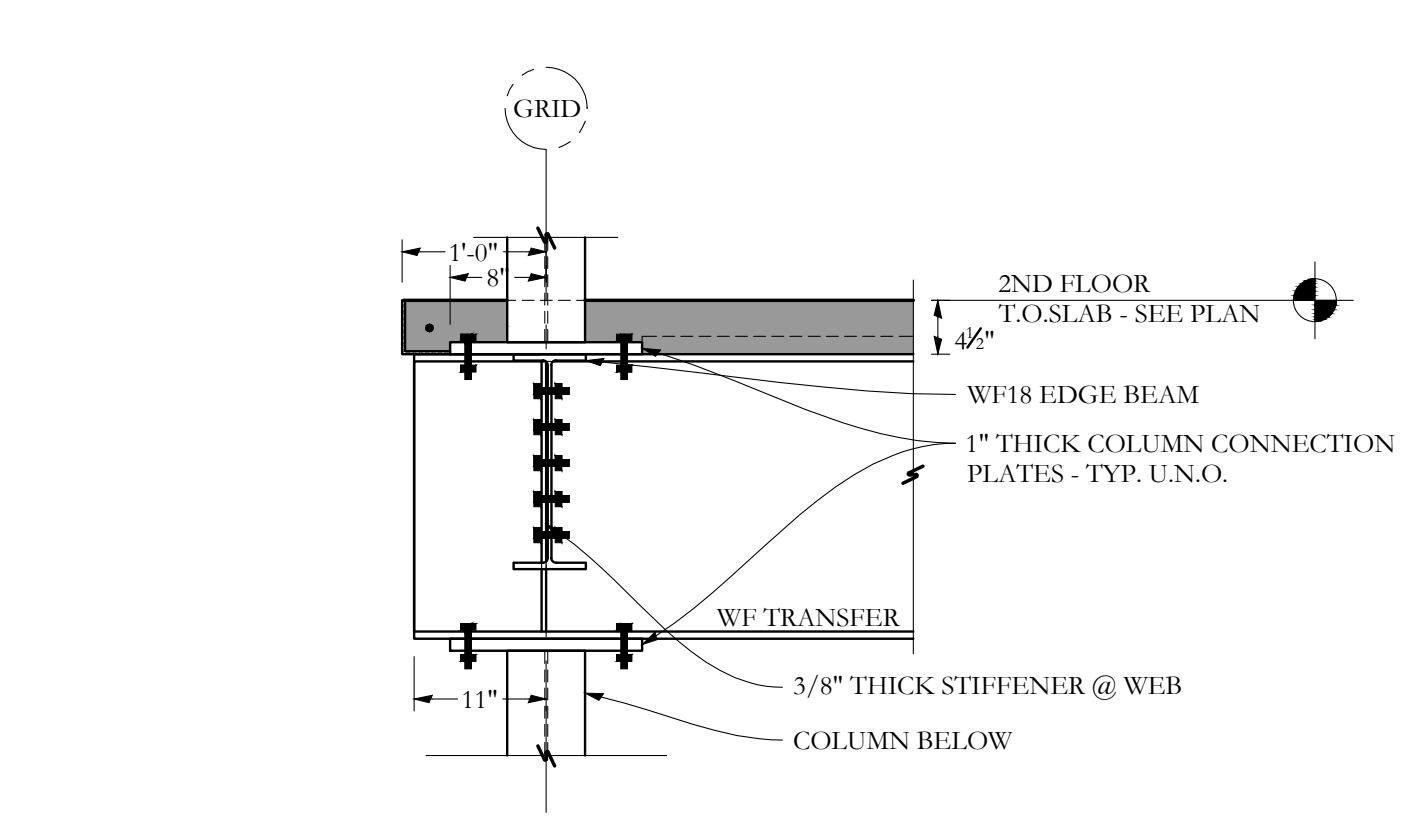
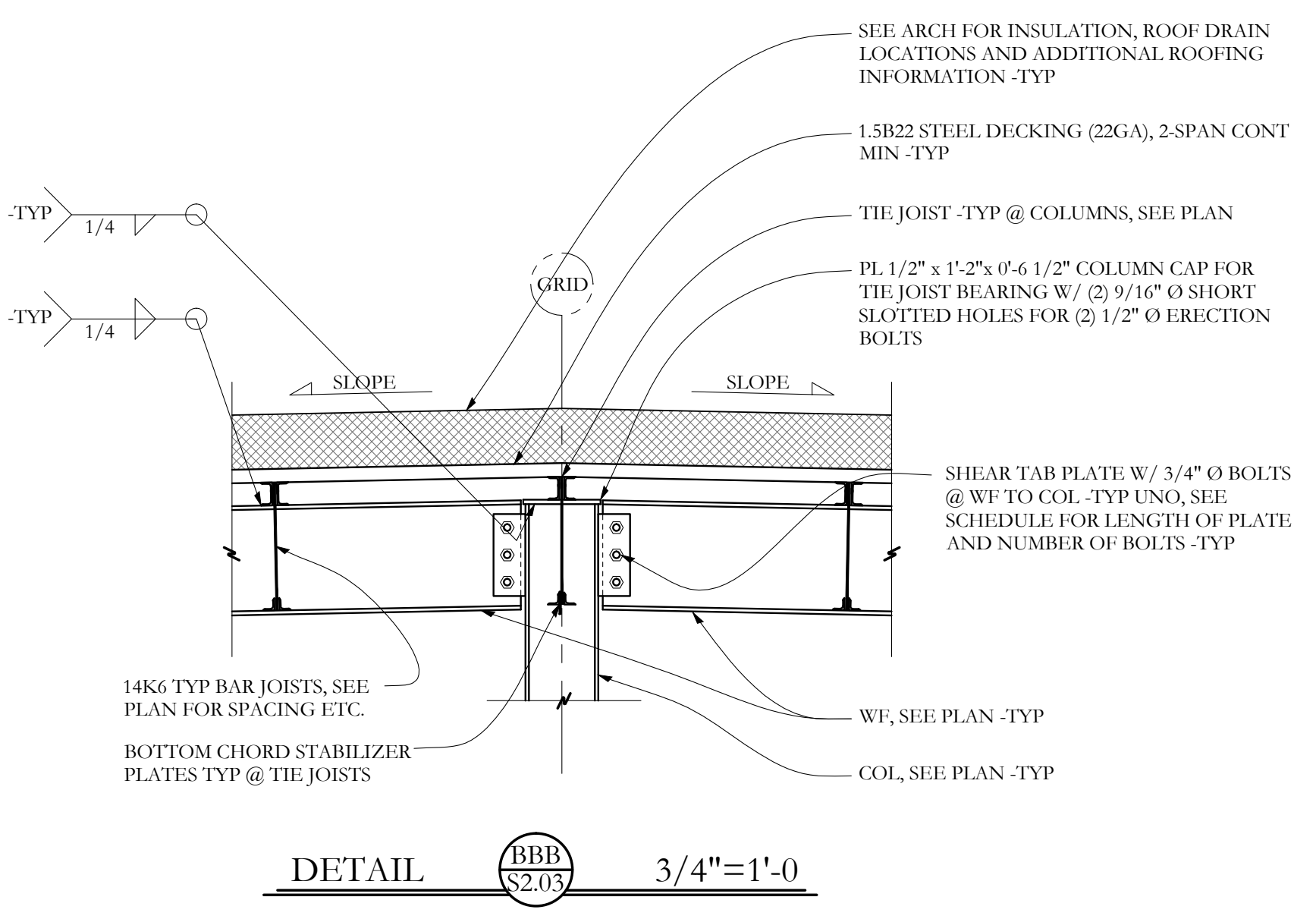
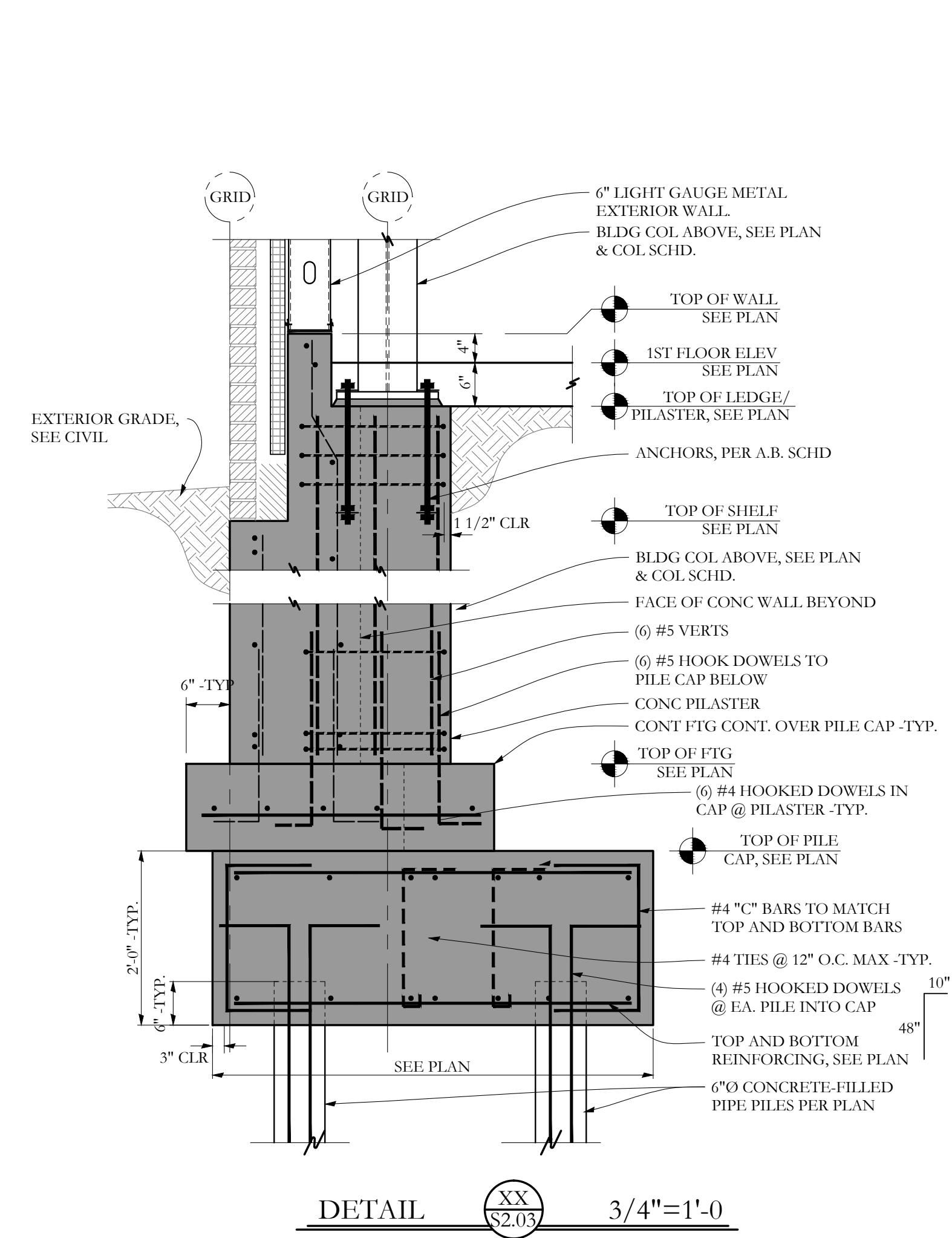
CONSULTANTS:
STRUCTURAL
Professional Engineer
Portland, ME 04101
207-774-4614

REVISIONS:

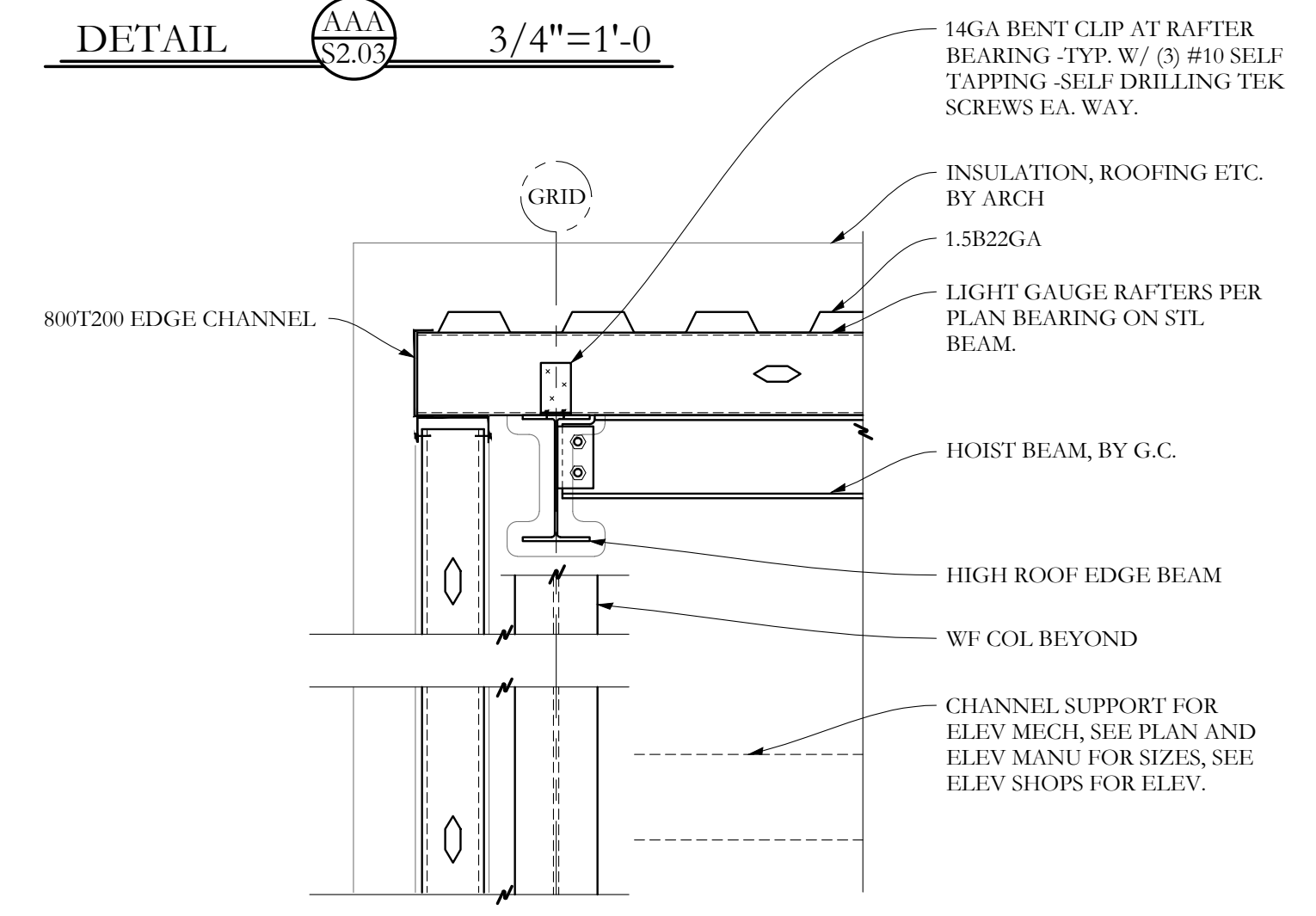
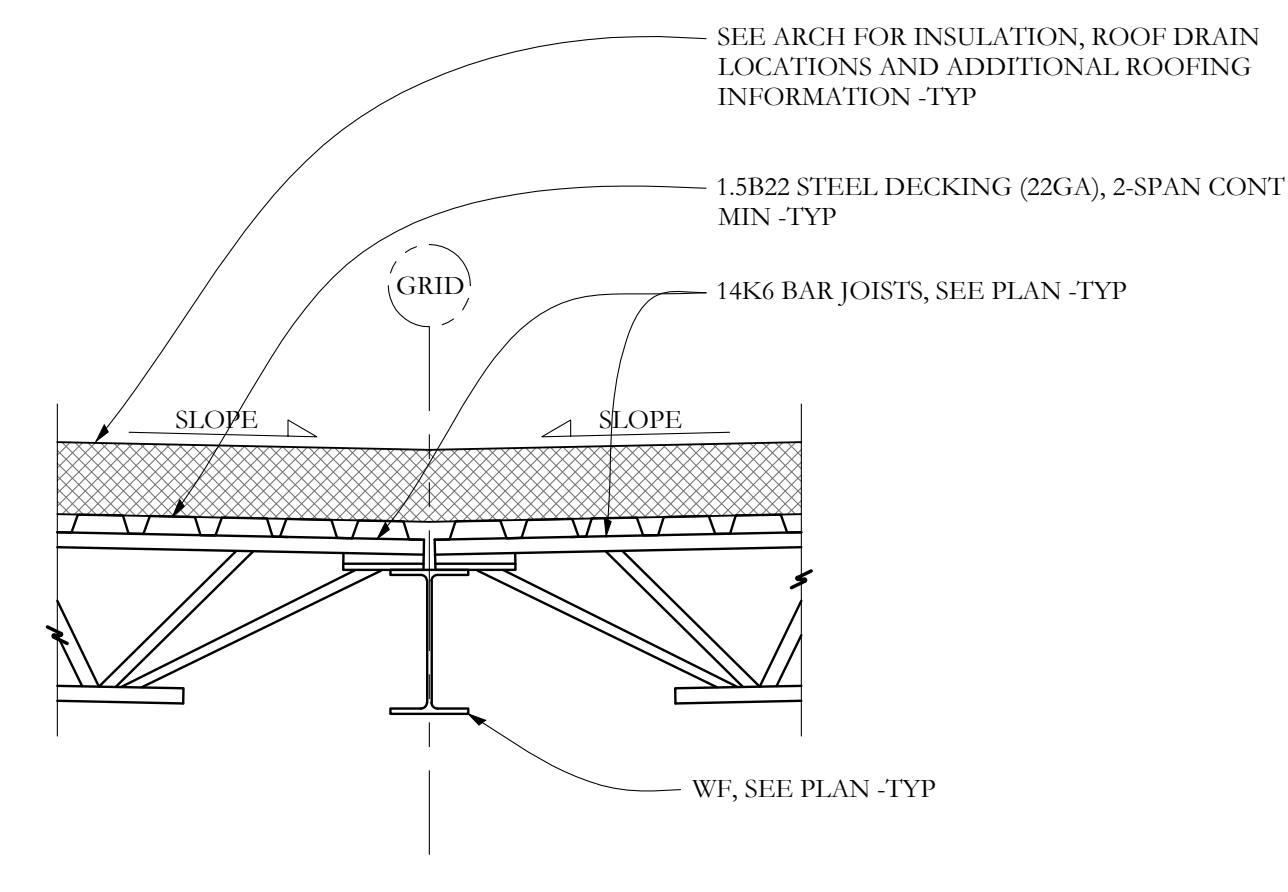
DATE: 2 NOVEMBER 2016
PROJECT No. 1503
DRAWN BY: MKL
CHECKED BY: AGJ
SCALE: AS NOTED

SHEET TITLE:
SECTIONS

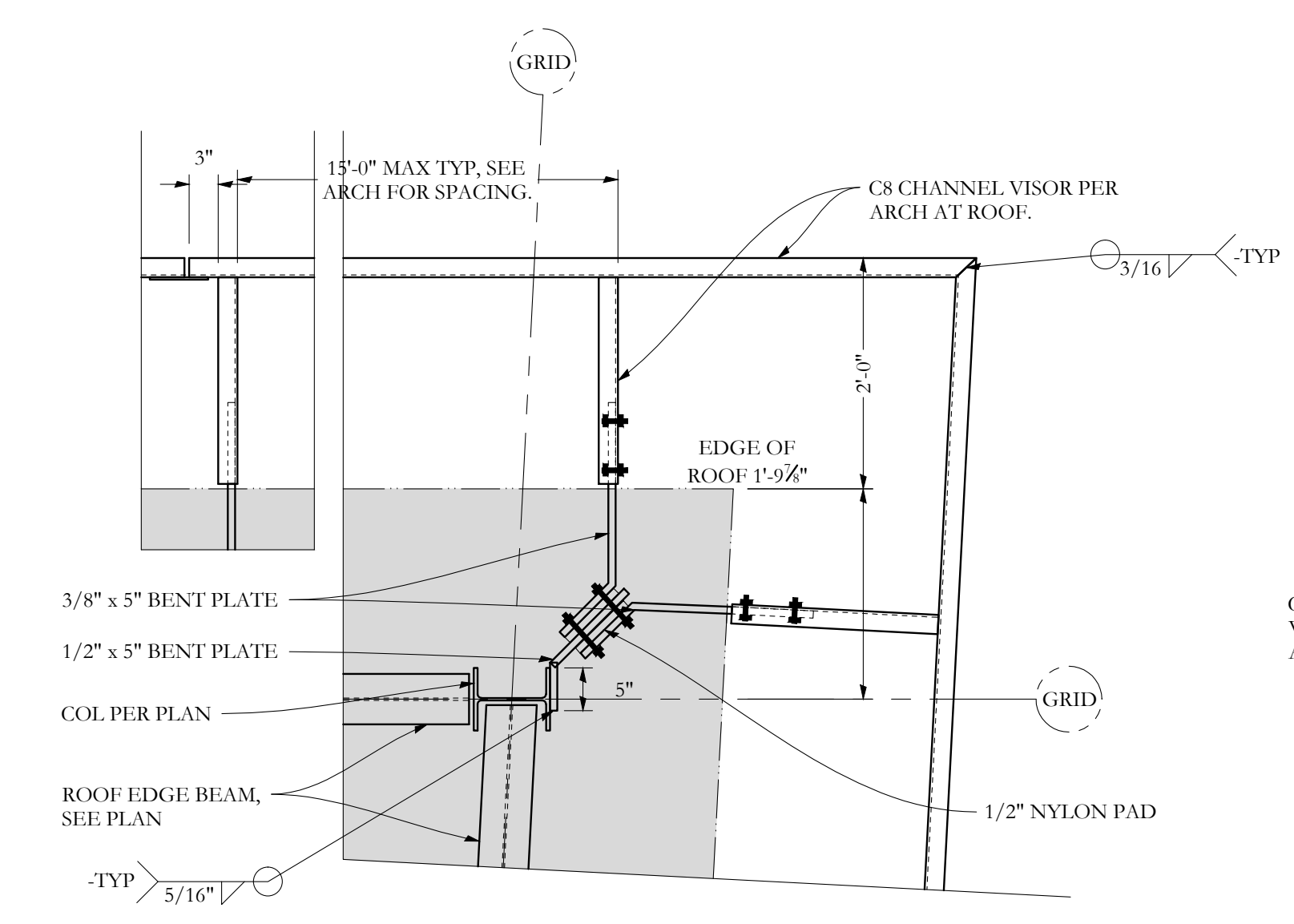
S2.03



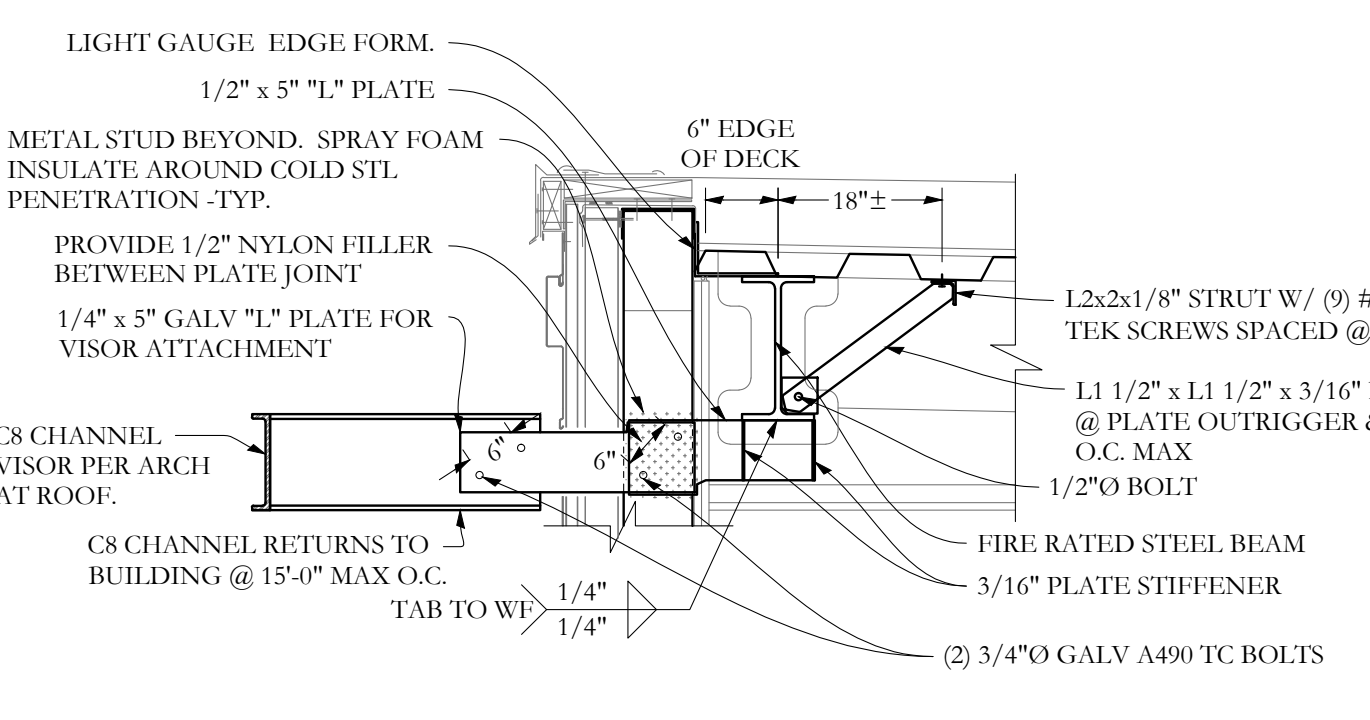
PLAN DETAIL @ AESS FRAME 2ND FLR
NOTES: SCALE 1/4"=1'-0"



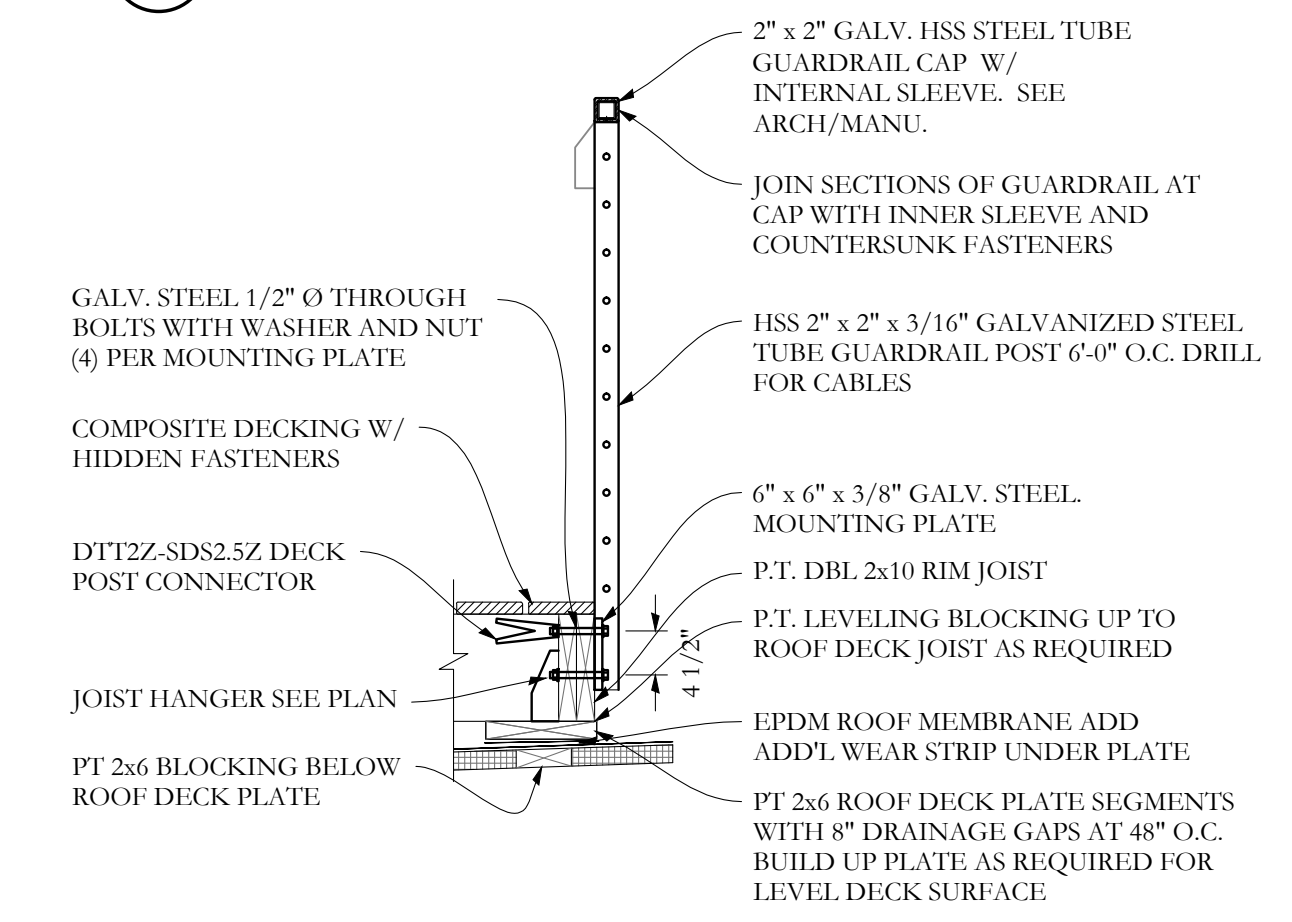
DETAIL WW S2.03 3/4"=1'-0



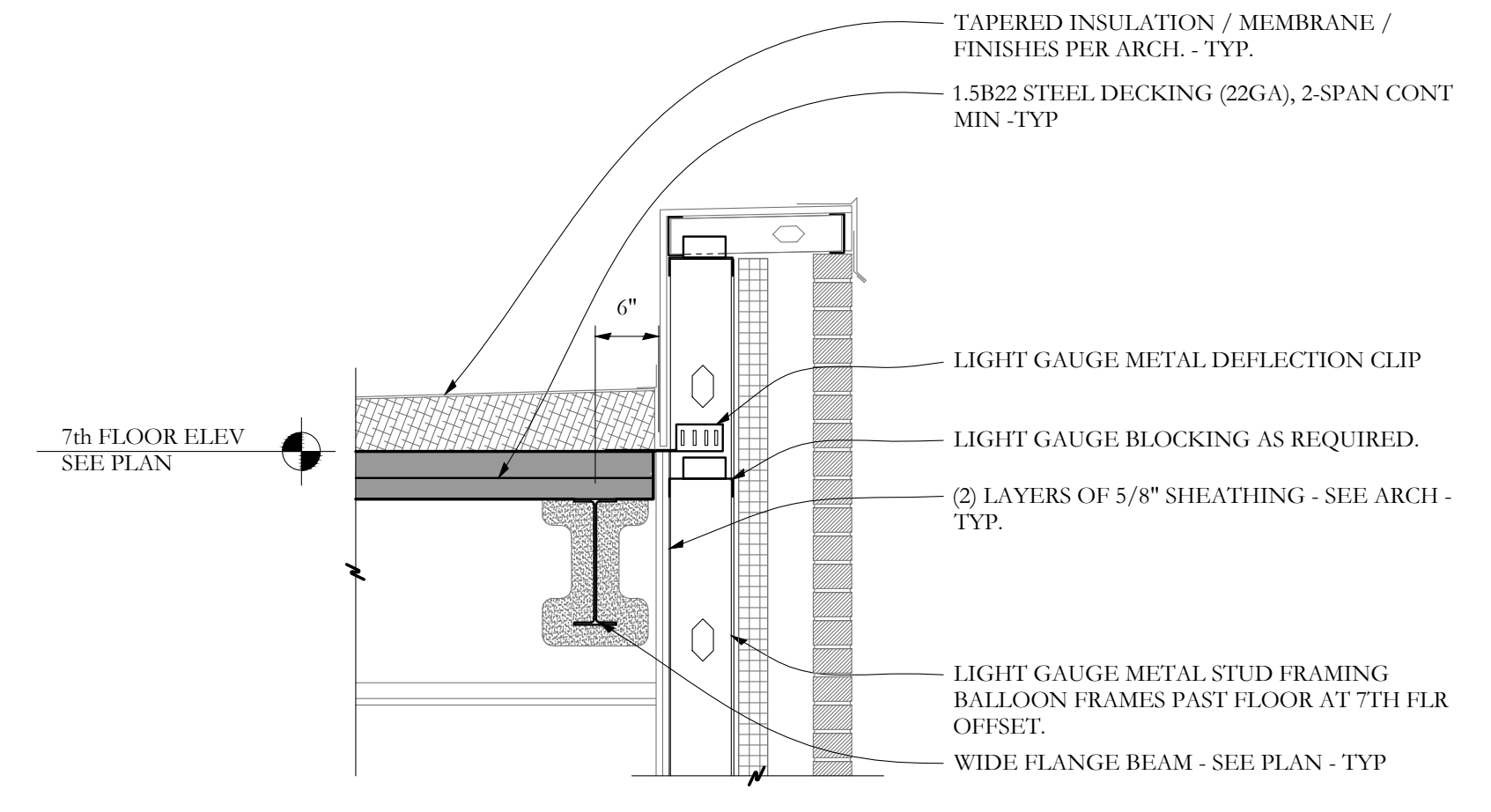
DETAIL TT S2.03 3/4"=1'-0
CONN. DETAIL @ ROOFTOP VISOR BRACKET



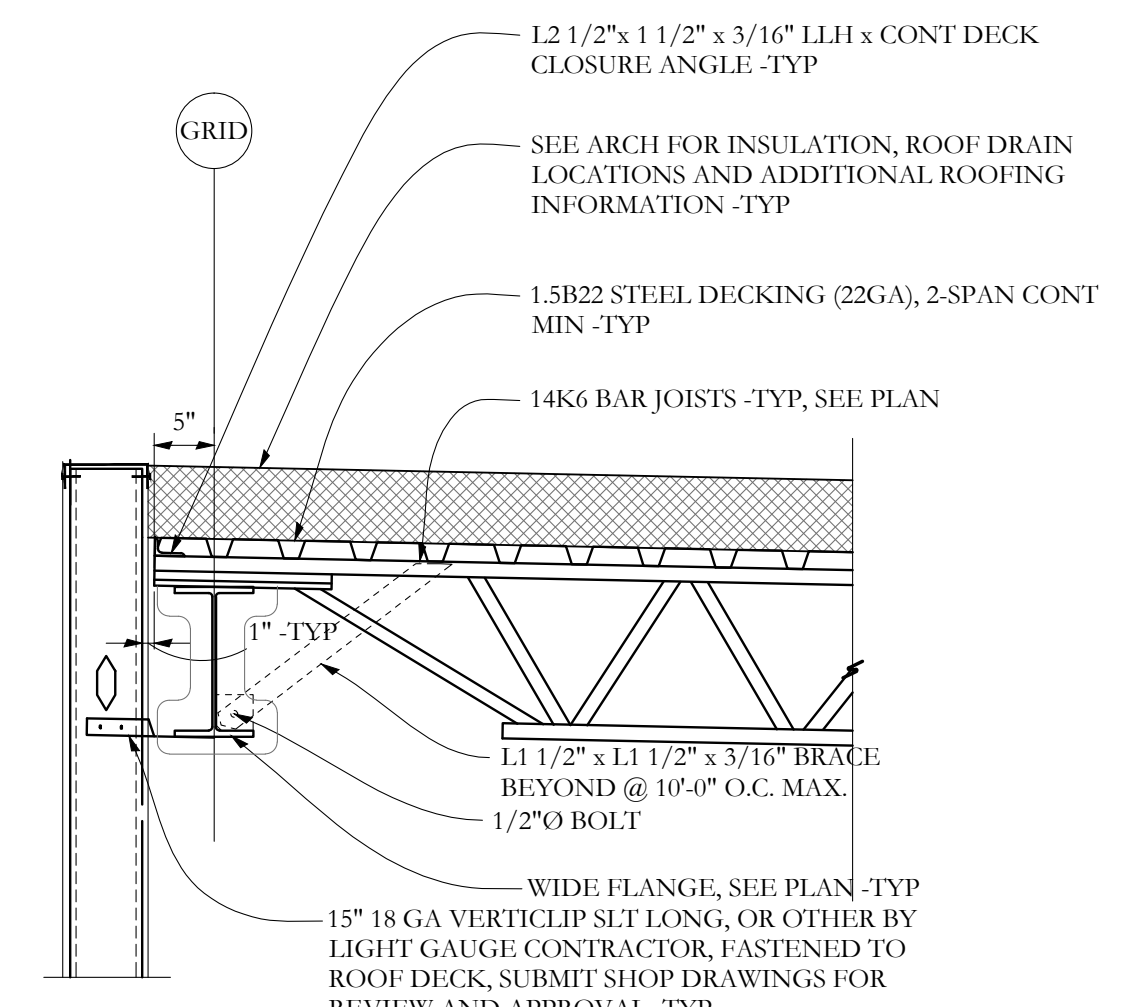
SECTION UU S2.03 3/4"=1'-0



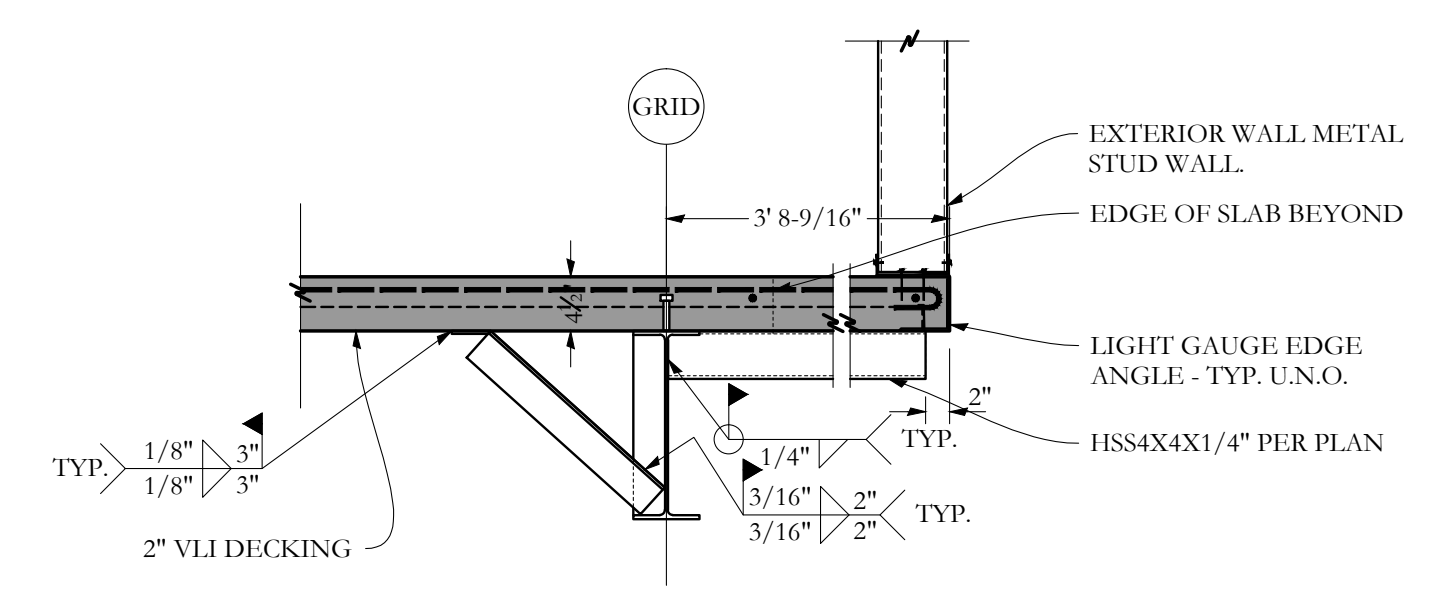
SECTION VV S2.03 3/4"=1'-0



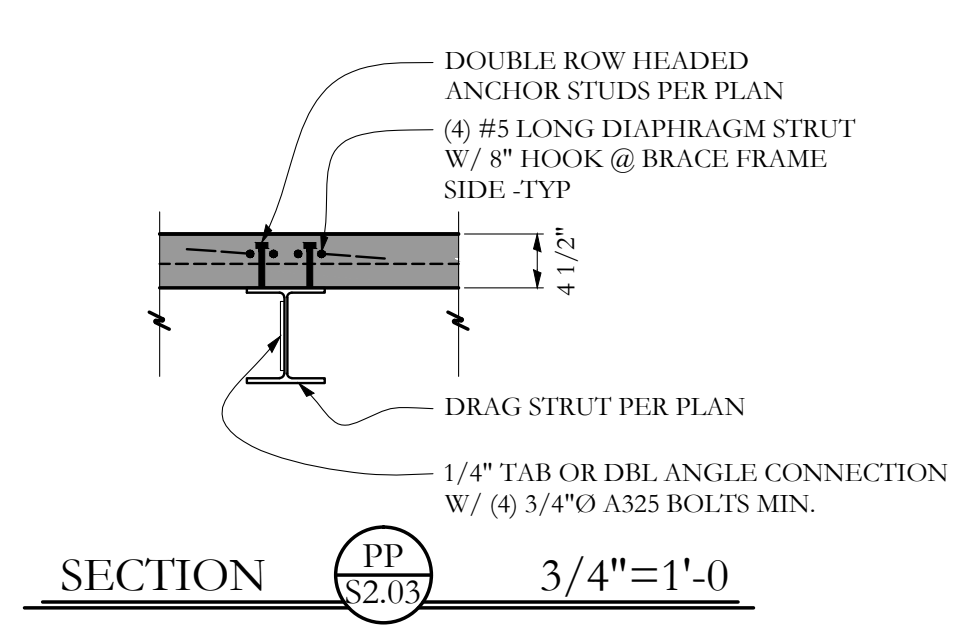
SECTION QQ S2.03 3/4"=1'-0



SECTION RR S2.03 3/4"=1'-0



SECTION SS S2.03 3/4"=1'-0



SECTION PP S2.03 3/4"=1'-0