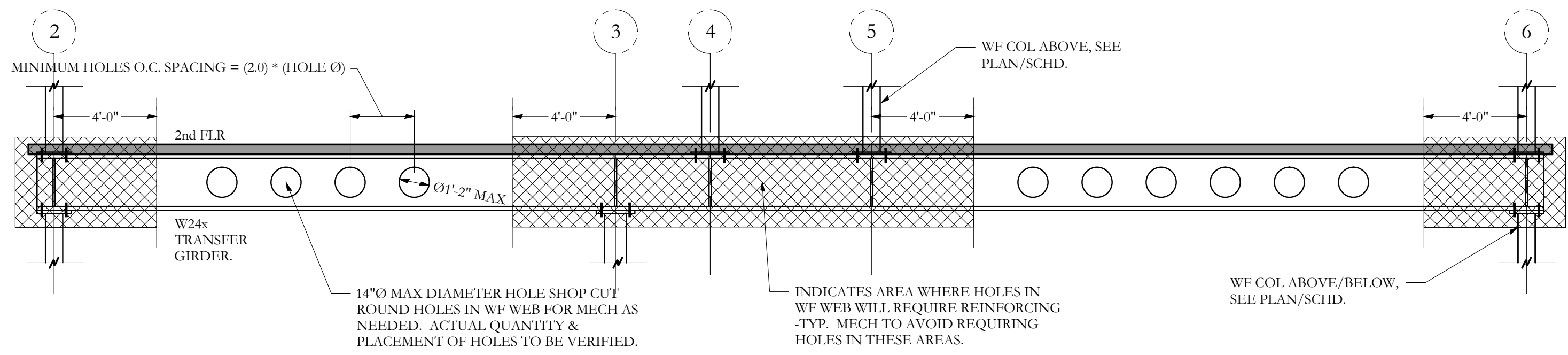
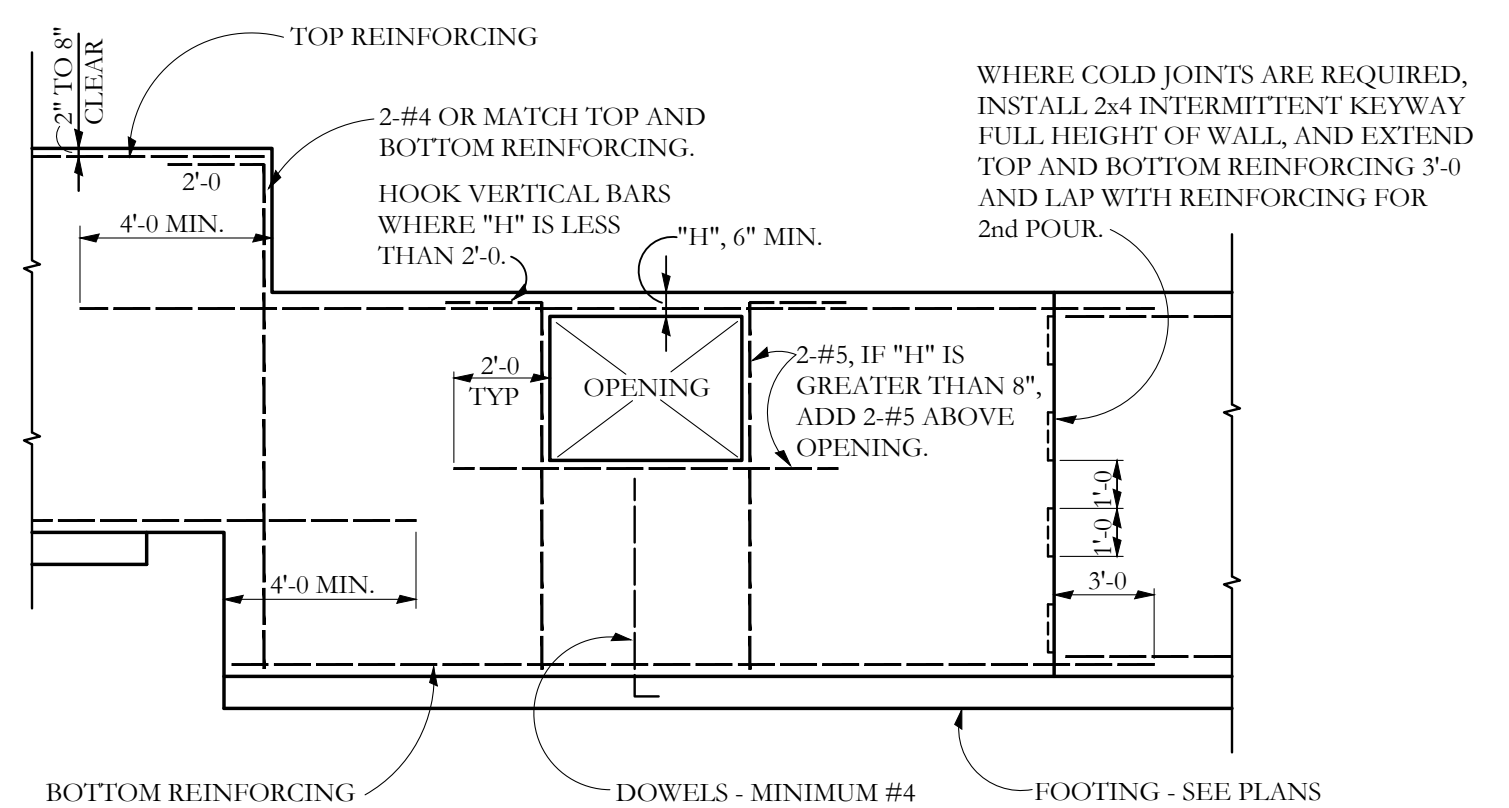


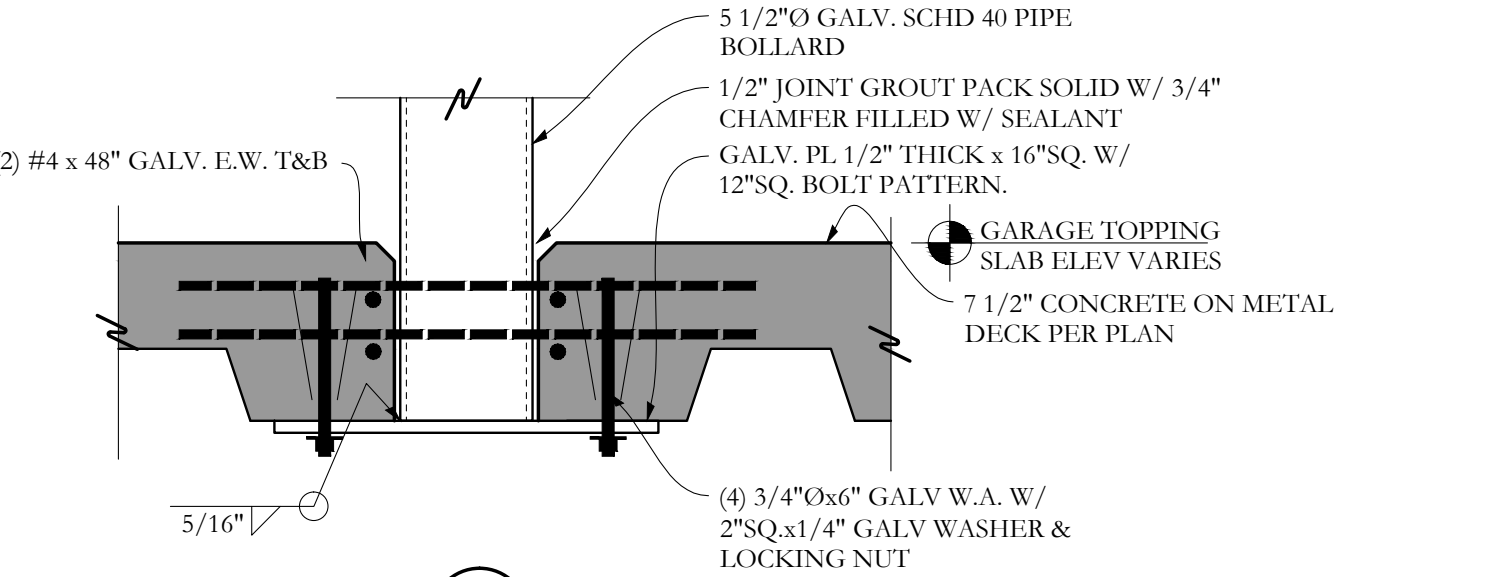
© 2015 RYAN SENATORE ARCHITECTURE



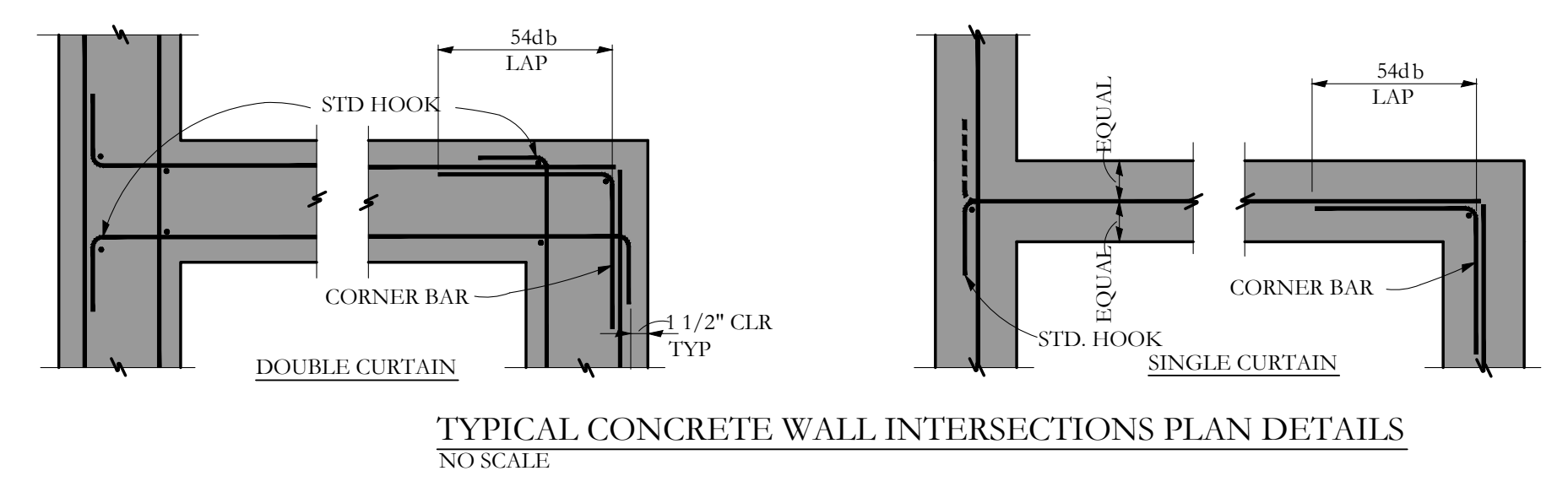
W24 TRANSFER GIRDER ALLOWABLE HOLES
NOTES:
SCALE 1/4\"/>



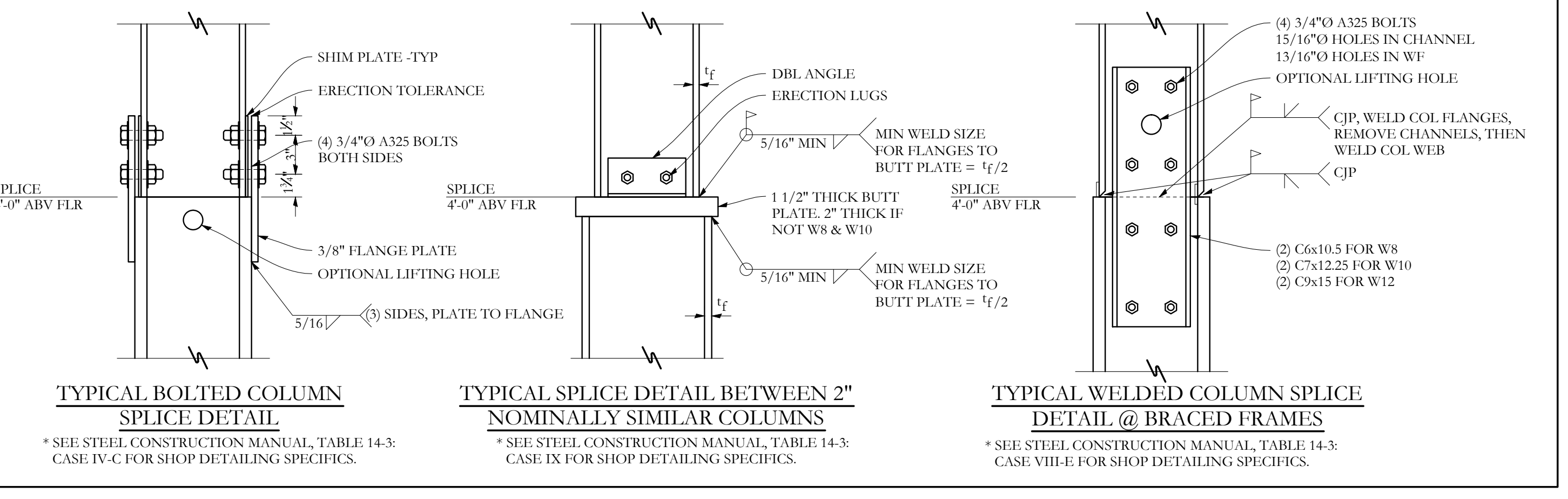
TYPICAL REINFORCING AT STEPS AND OPENINGS
NO SCALE



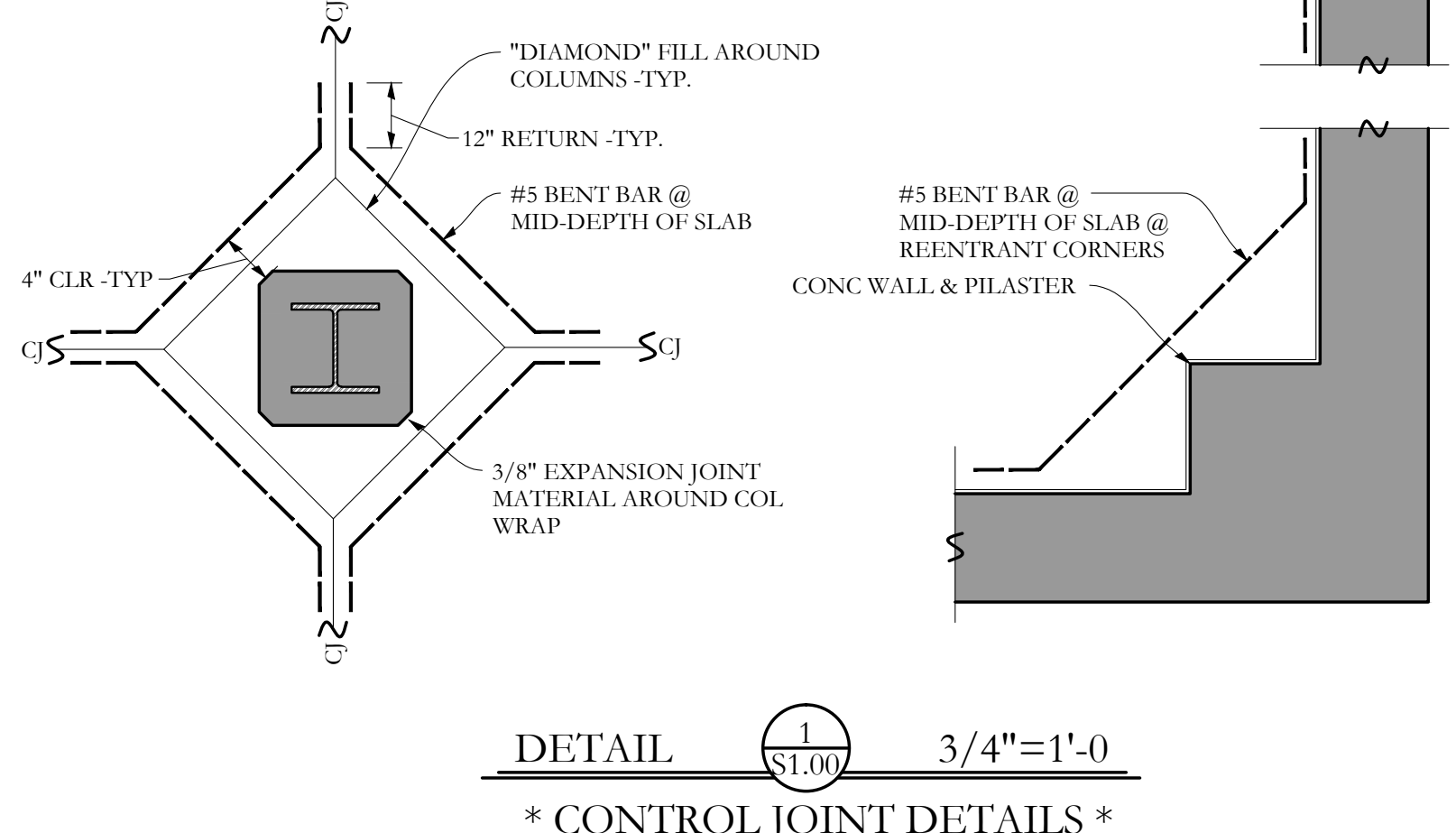
SECTION B 1 1/2\"/>



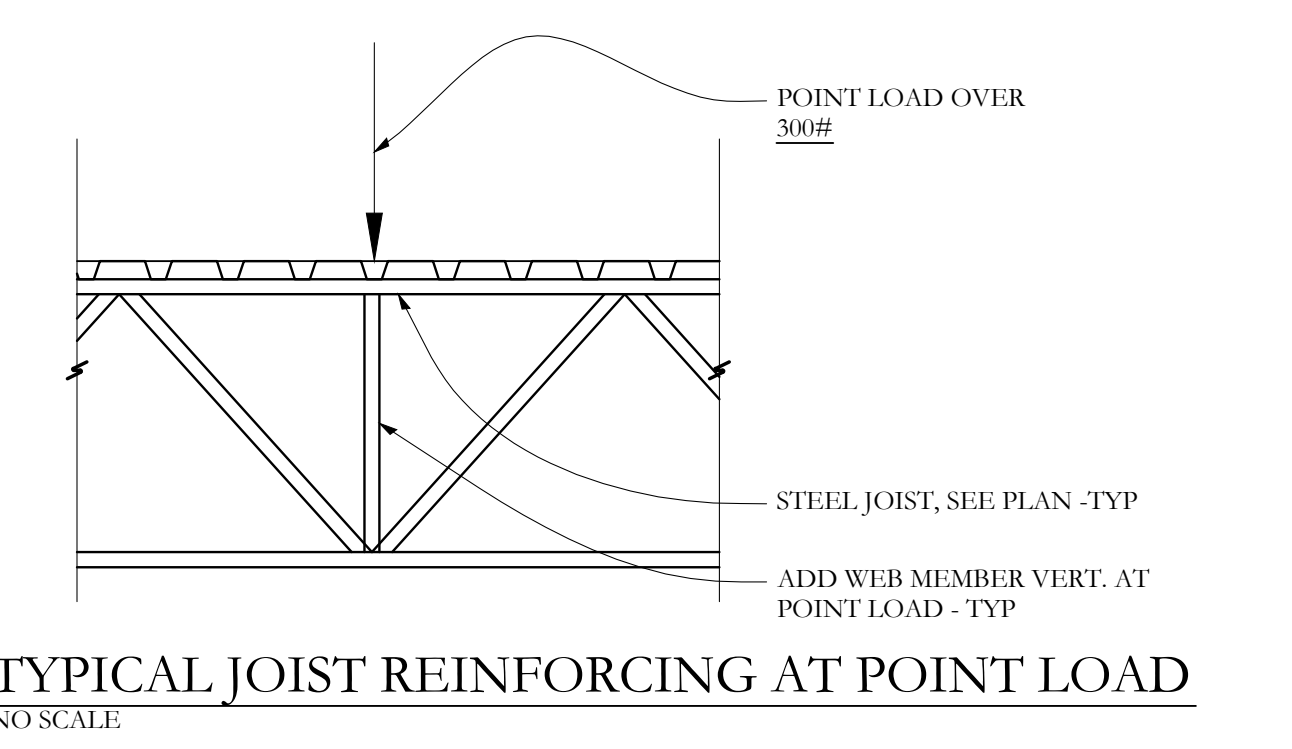
TYPICAL CONCRETE WALL INTERSECTIONS PLAN DETAILS
NO SCALE



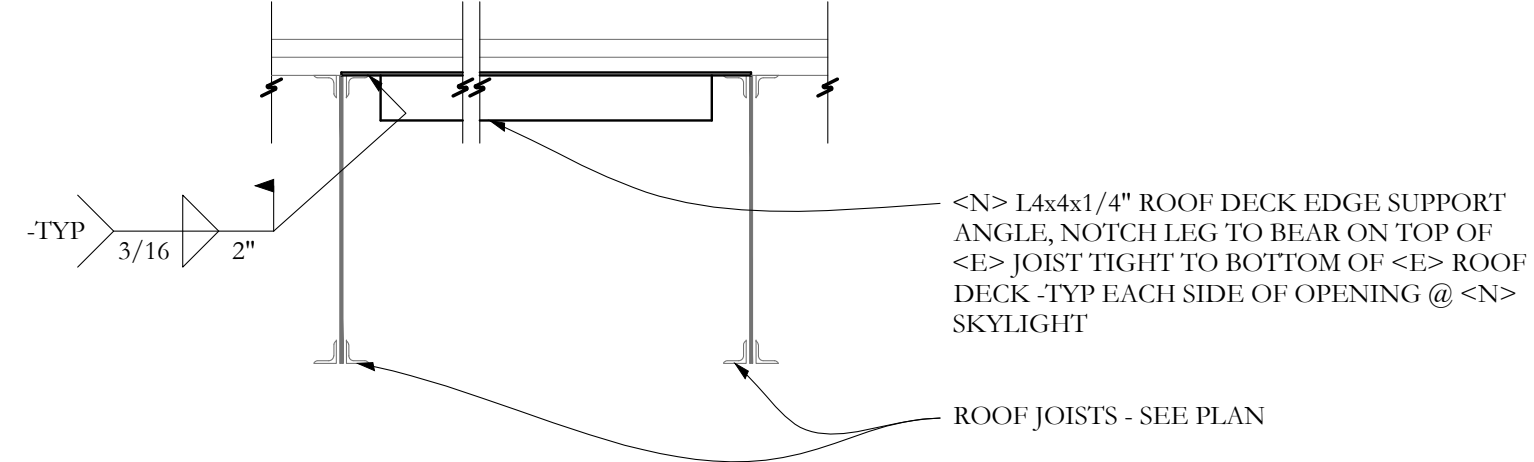
TYPICAL BOLTED COLUMN SPLICE DETAIL * SEE STEEL CONSTRUCTION MANUAL, TABLE 14-3, CASE IV-C FOR SHOP DETAILING SPECIFICS.
TYPICAL SPLICE DETAIL BETWEEN 2\"/>



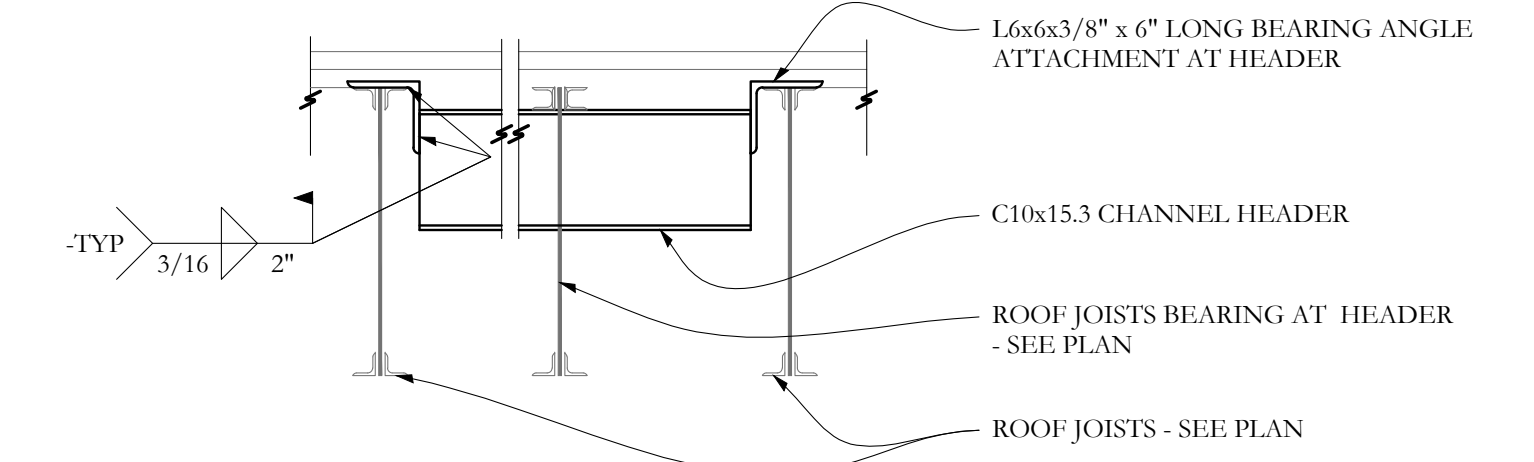
DETAIL 1 3/4\"/>



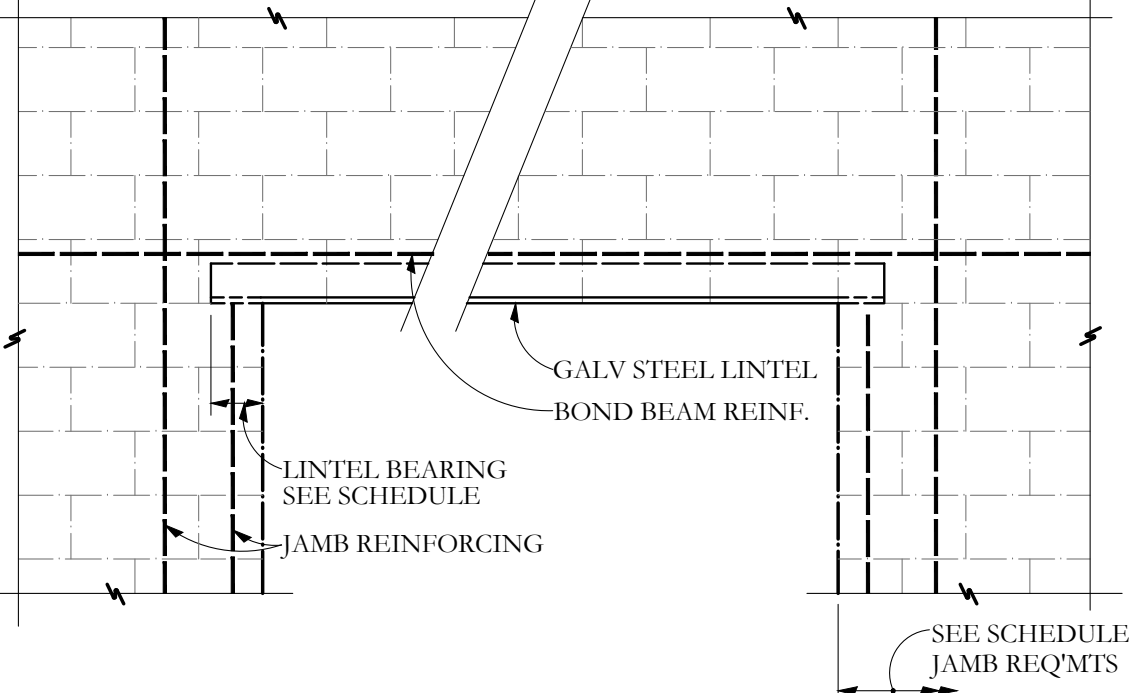
TYPICAL JOIST REINFORCING AT POINT LOAD
NO SCALE



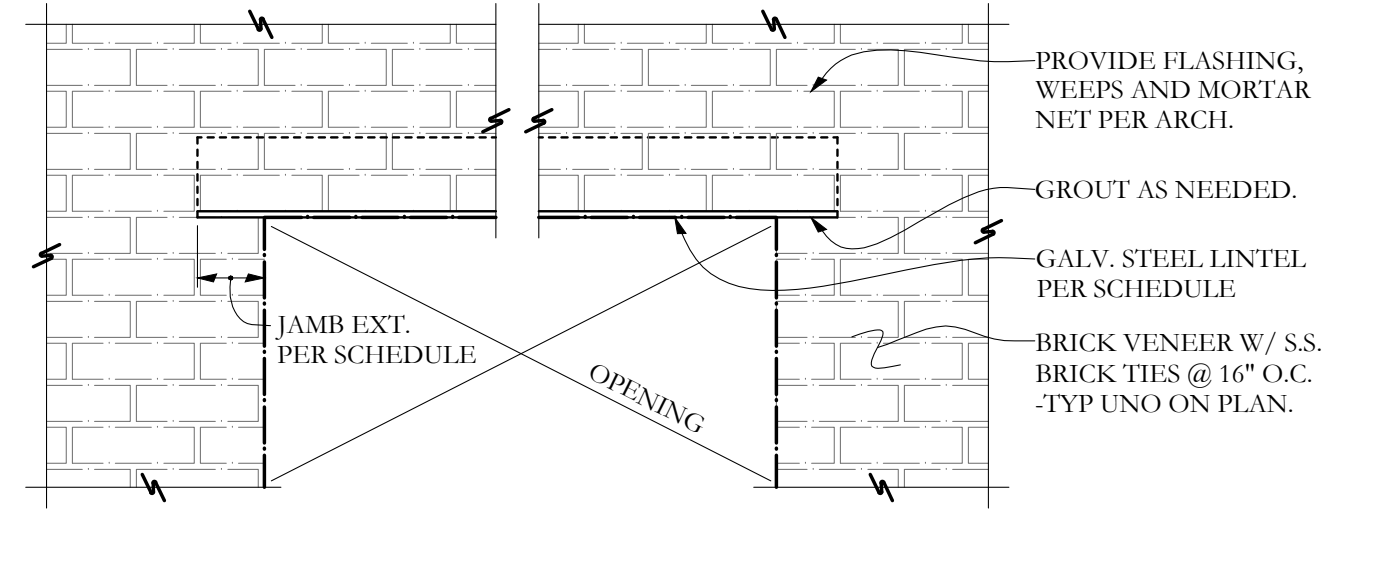
TYPICAL OPENINGS BETWEEN BAR JOISTS
NO SCALE



TYPICAL OPENINGS BETWEEN BAR JOISTS
NO SCALE



TYPICAL LOOSE LINTEL INSTALLATION
NO SCALE



LINTEL INSTALLATION IN BRICK VENEER
NO SCALE

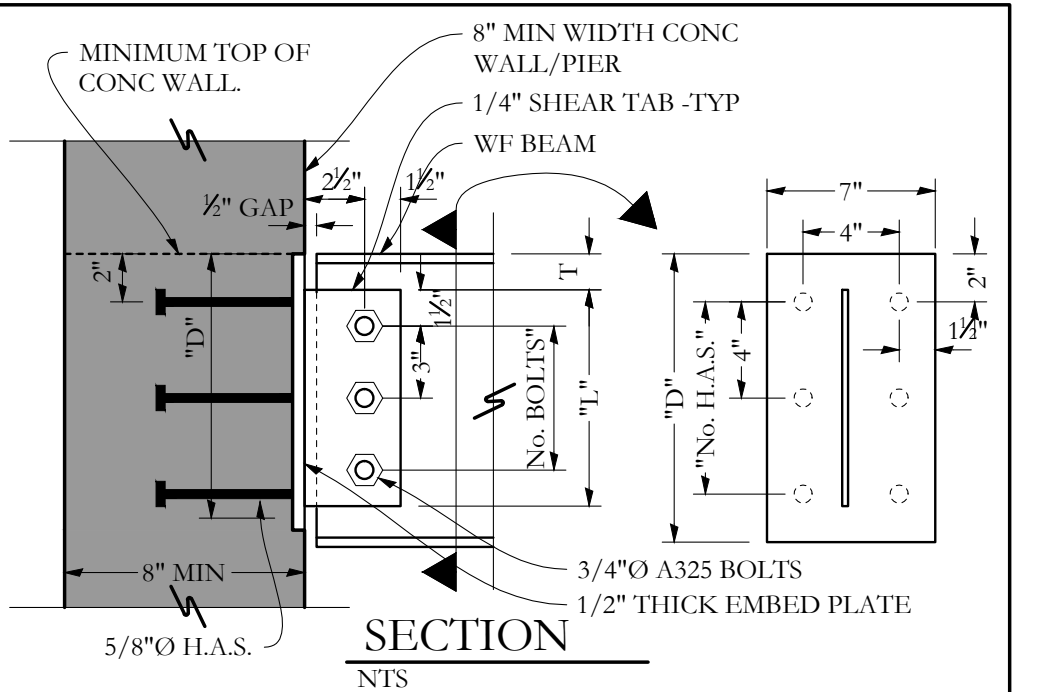
OPENING SIZE	LINTEL SIZE	GROUTED JAMB WIDTH
LESS THAN 4'-0"	L 3 1/2\" x 3 1/2\" x 1 1/4\"	8"
4'-1\" TO 5'-4"	L 5\" x 3 1/2\" x 1 1/4\"	8"
5'-5\" TO 6'-6"	L 6\" x 3 1/2\" x 5/16\"	1 1/4\"

* Minimum lintel except as noted, one angle for each 4\"/>

OPENING SIZE*	LINTEL PER WYTHIE	JAMB EXTENSION
LESS THAN 4'-0"	L 3 1/2\" x 3 1/2\" x 1 1/4\"	4"
4'-1\" TO 5'-4"	L 5\" x 3 1/2\" x 1 1/4\"	4"
5'-5\" TO 6'-6"	L 6\" x 3 1/2\" x 5/16\"	8"

* FOR OPENINGS GREATER THAN LISTED, SEE PLAN.

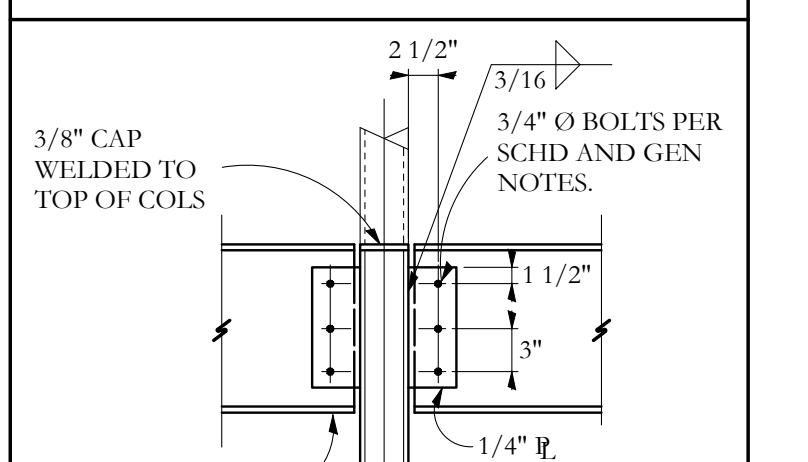
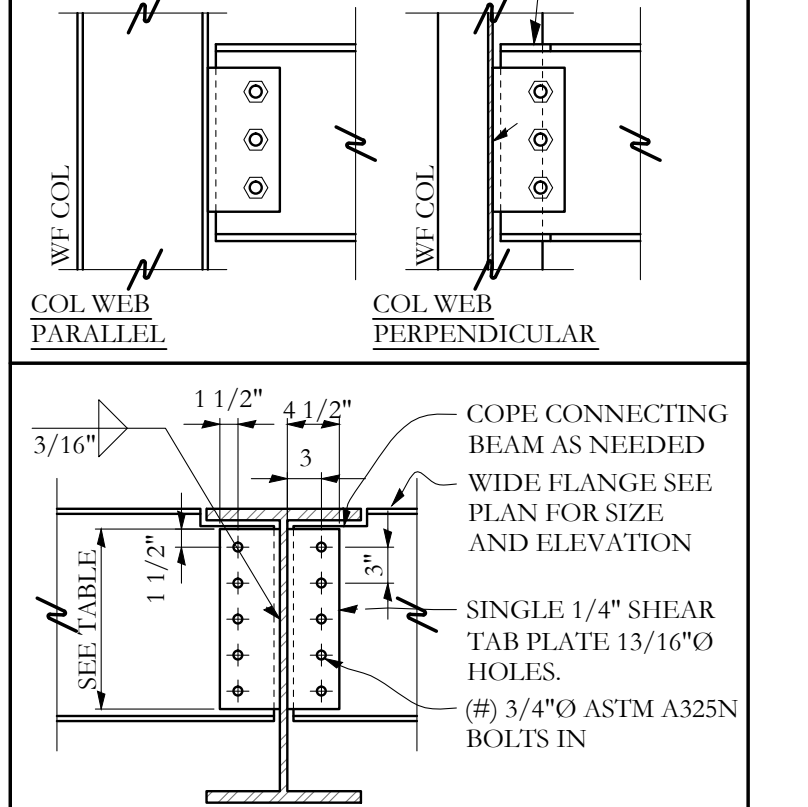
TYPICAL WIDE FLANGE TO EMBED PLATE IN CONC WALL SCHEDULE.



SHAPE SIZE	N ₆ H.A.S.*	N ₆ BOLTS [†]	T ₁ [‡]	T ₂ [‡]	CONN. CAP. (k)
W8, W10	(4) 5/8\"/>				

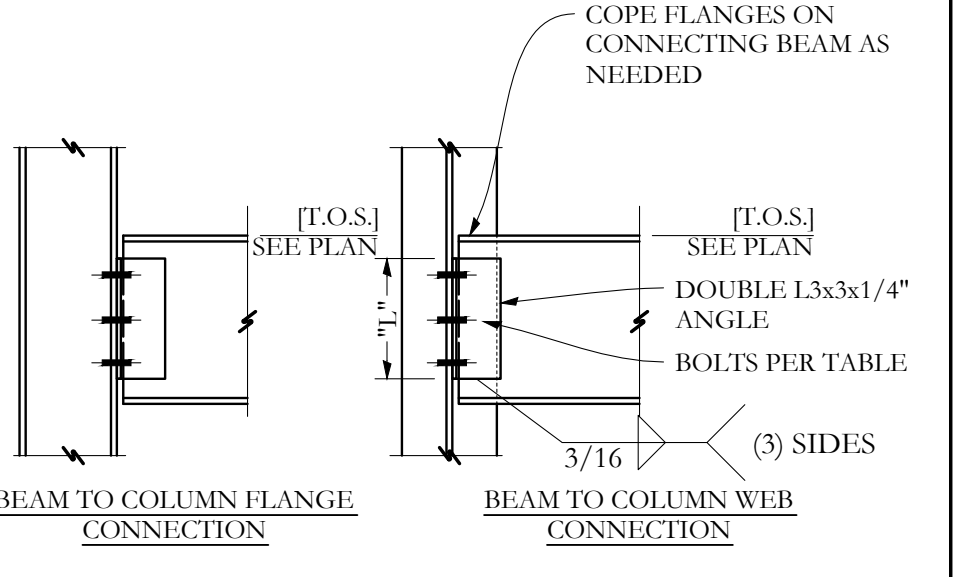
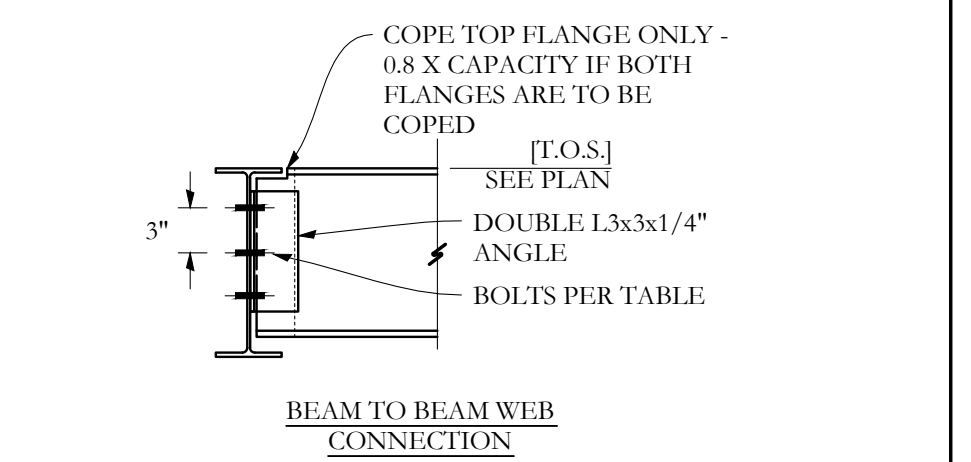
TABLE NOTES:
* ALL \"BOLTS\" SHALL BE A325 HIGH STRENGTH BOLTS.
† ALL (H.A.S.) HEADED ANCHOR STUDS SHALL BE F1554 GRADE 55 MIN SQUARE OR HEX HEAD CAST-INS ANCHORS WELDED TO PLATE.
‡ CONNECTION CAPACITY BASED ON ALLOWABLE STRESS DESIGN.

1/2 COPE CONNECTING BEAM W/F TO COL AS NEEDED OR EXTEND SHEAR TAB AND PROVIDE 3/16\"/>



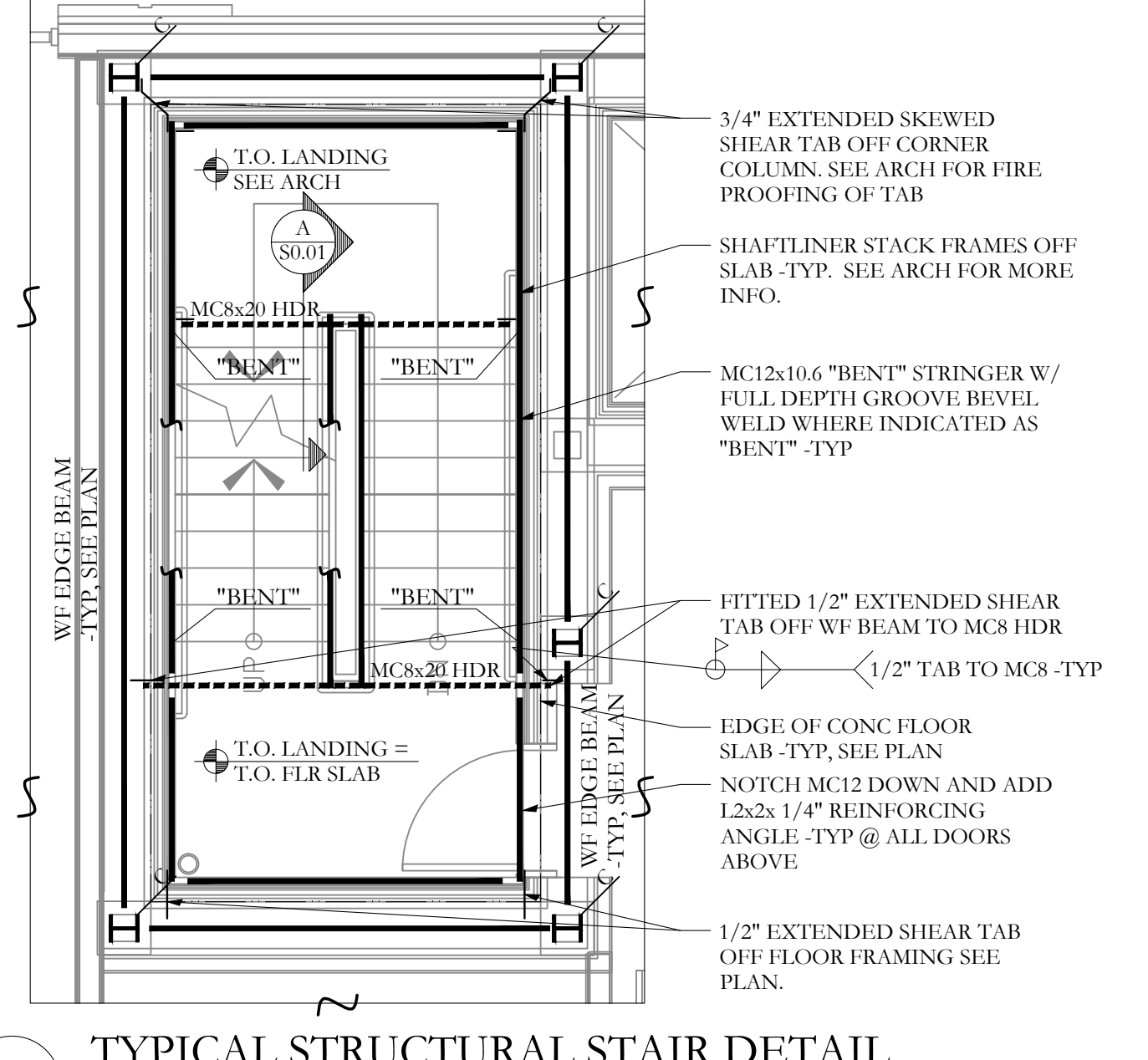
CONN. BM. SIZE	# OF BOLTS	L (in.)	CONN CAP. (kips)
W8, W10	2	6	16
W12, W14	3	9	25
W16	4	12	35
W18	5	15	43
W21	6	18	51
W24	7	21	59

* ALL BOLTS TO BE ASTM A325 -TYP UNO
† TABLE REACTIONS BASED ON ALLOWABLE STRESS DESIGN

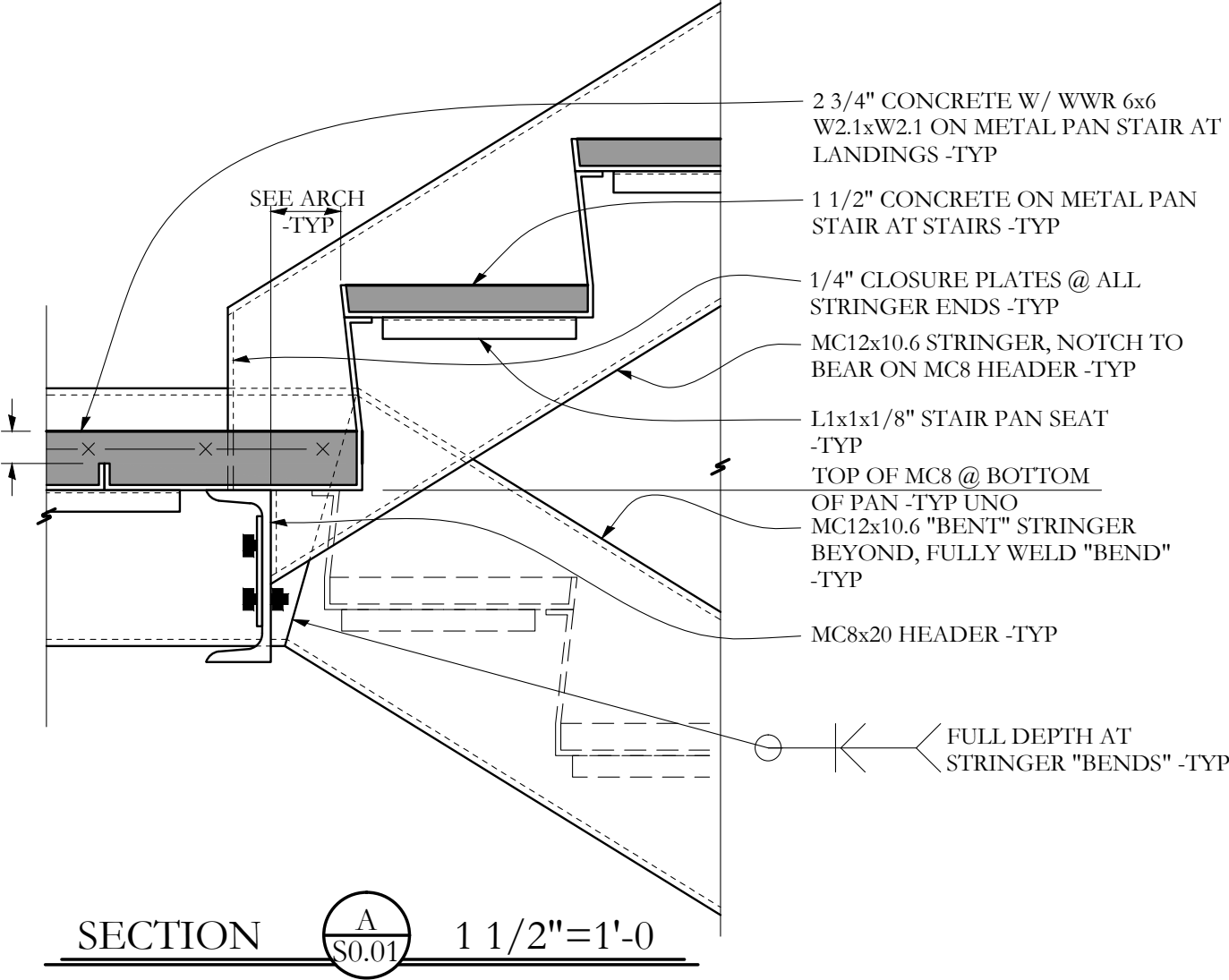


BM. SIZE	NUM BOLTS	L (in.)	CONN CAP. (kips)
W8, W10, W12	2	6	L 33k
W12, W14, W16	3	9	50k
W16, W18, W21	4	12	67k
W18, W21, W24	5	15	83k
W21, W24, W27, W30	6	18	99k

* ALL BOLTS TO BE ASTM A325 -TYP UNO
† TABLE REACTIONS BASED ON ALLOWABLE STRESS DESIGN



TYPICAL STRUCTURAL STAIR DETAIL
NOTES:
VERIFY OPENING DIMENSIONS WITH ARCH.
SCALE 1/4\"/>



SECTION A 1 1/2\"/>

667 CONGRESS STREET
APARTMENTS
PORTLAND, MAINE



RYAN SENATORE ARCHITECTURE
667 CONGRESS STREET
PORTLAND, MAINE 04101
207-650-6414
senatore@rsaarch.com

CONSULTANTS:
STRUCTURAL
Professional Engineer
Portland, ME 04101
207-774-9414

REVISIONS:

DATE: 2 NOVEMBER 2016
PROJECT No. 1503
DRAWN BY: MKL
CHECKED BY: AGJ
SCALE: AS NOTED

SHEET TITLE:
GENERAL NOTES & ETC.

S0.01

Structural Integrity
Consulting Engineers, Inc.
77 Oak Street
Portland, ME, 04101
p. 207-774-4614
e. 866-793-7835
www.structuralintegrity.com
BUILD WITH CONFIDENCE
© 2015 Structural Integrity Consulting Engineers, Inc. SE-15-0038