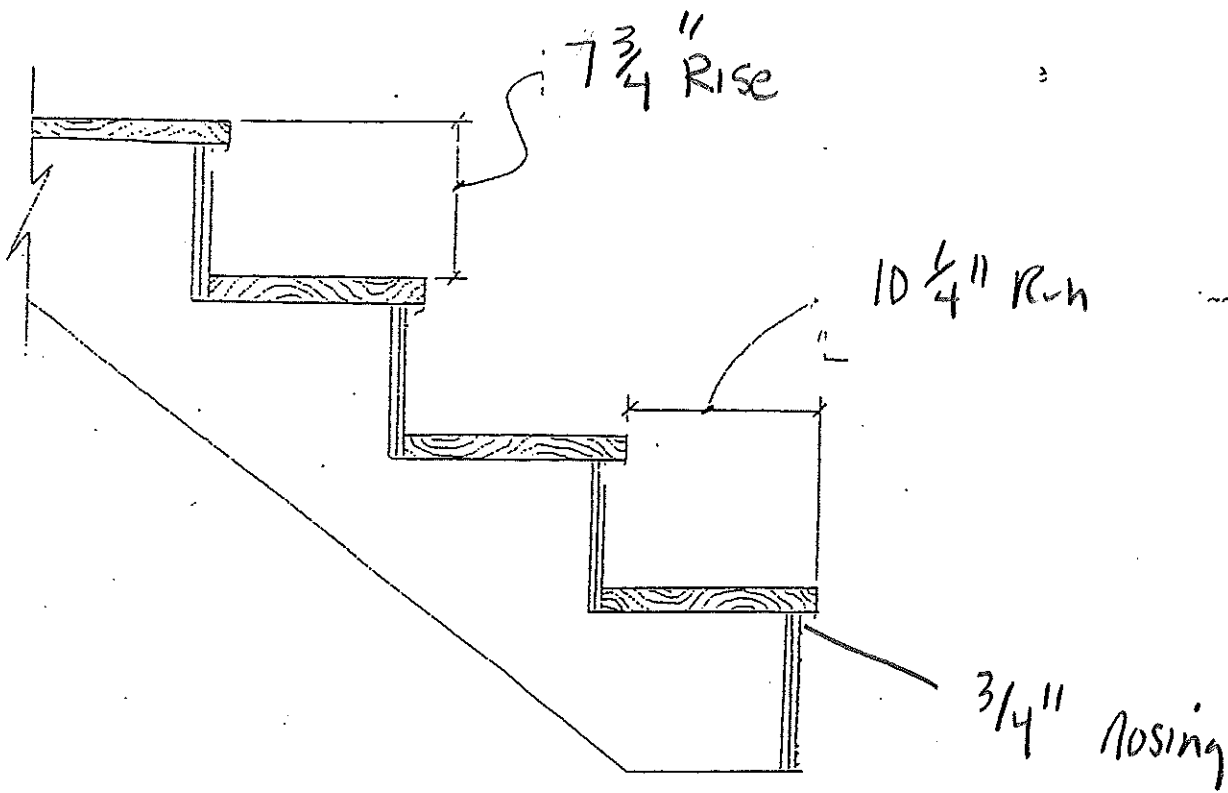


Stair Detail



RECEIVED
JUN 06 2013
Dept. of Building Inspections
City of Portland Maine