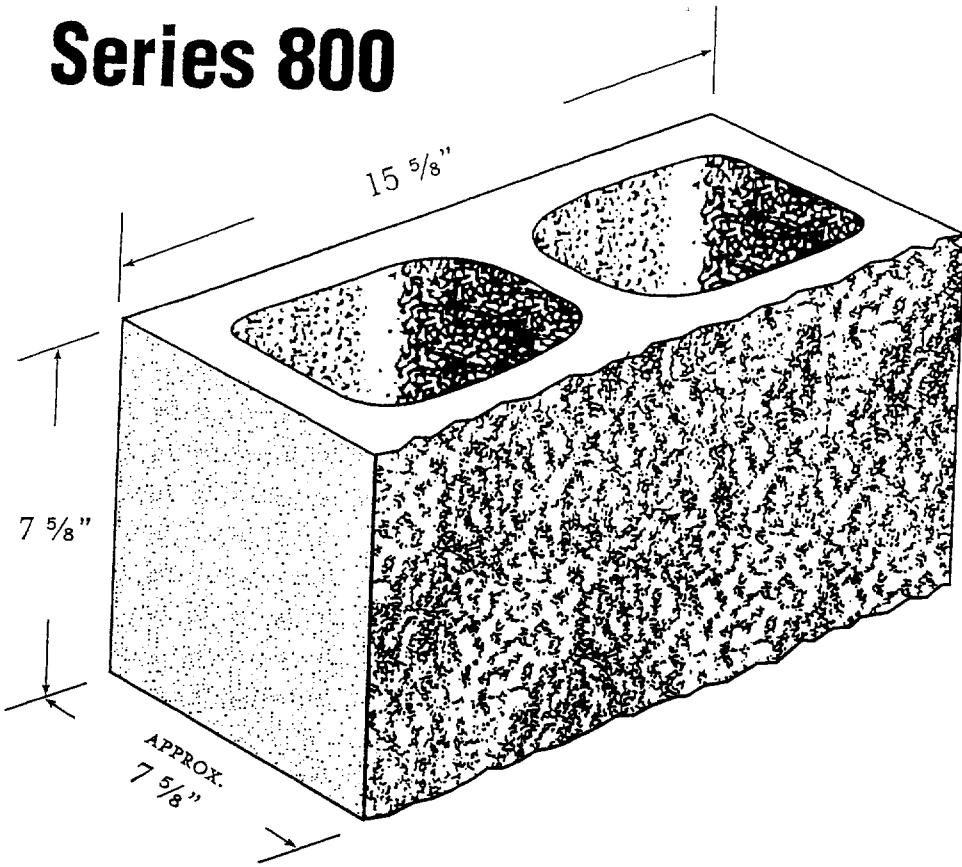


Email: [gagneblock@aol.com](mailto:gagneblock@aol.com)

Website: [gagneandson.com](http://gagneandson.com)

# Series 800

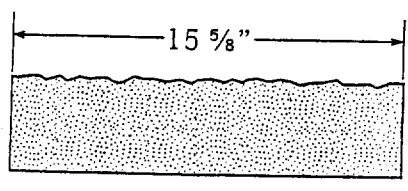
**G&S**  
**2C-S**  
Split Face



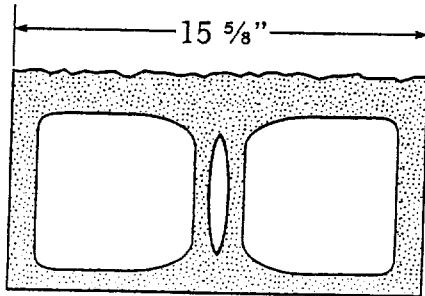
**MEETS**

- ASTM C90-00 for concrete
- ASTM C-331 for lightweight

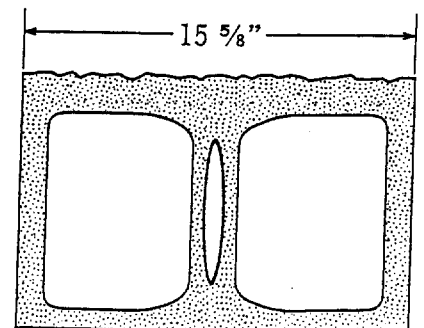
*8" Split Face Corners Available*



4" x 8" x 16"



10" x 8" x 16" - Splittable



12" x 8" x 16" - Splittable  
Halves Available

7/2001

|            |           |
|------------|-----------|
| APPROVALS: | COMMENTS: |
|------------|-----------|

270 RIVERSIDE DRIVE, AUBURN, ME 04210 • 1-800-339-1132  
 RT. 27, BELGRADE, ME 04917 • 1-800-339-3313  
 1506 STATE STREET, VEAZIE, ME 04401 • 1-800-649-7393  
 70 WARREN AVENUE, WESTBROOK, ME 04902 • 1-800-339-9184