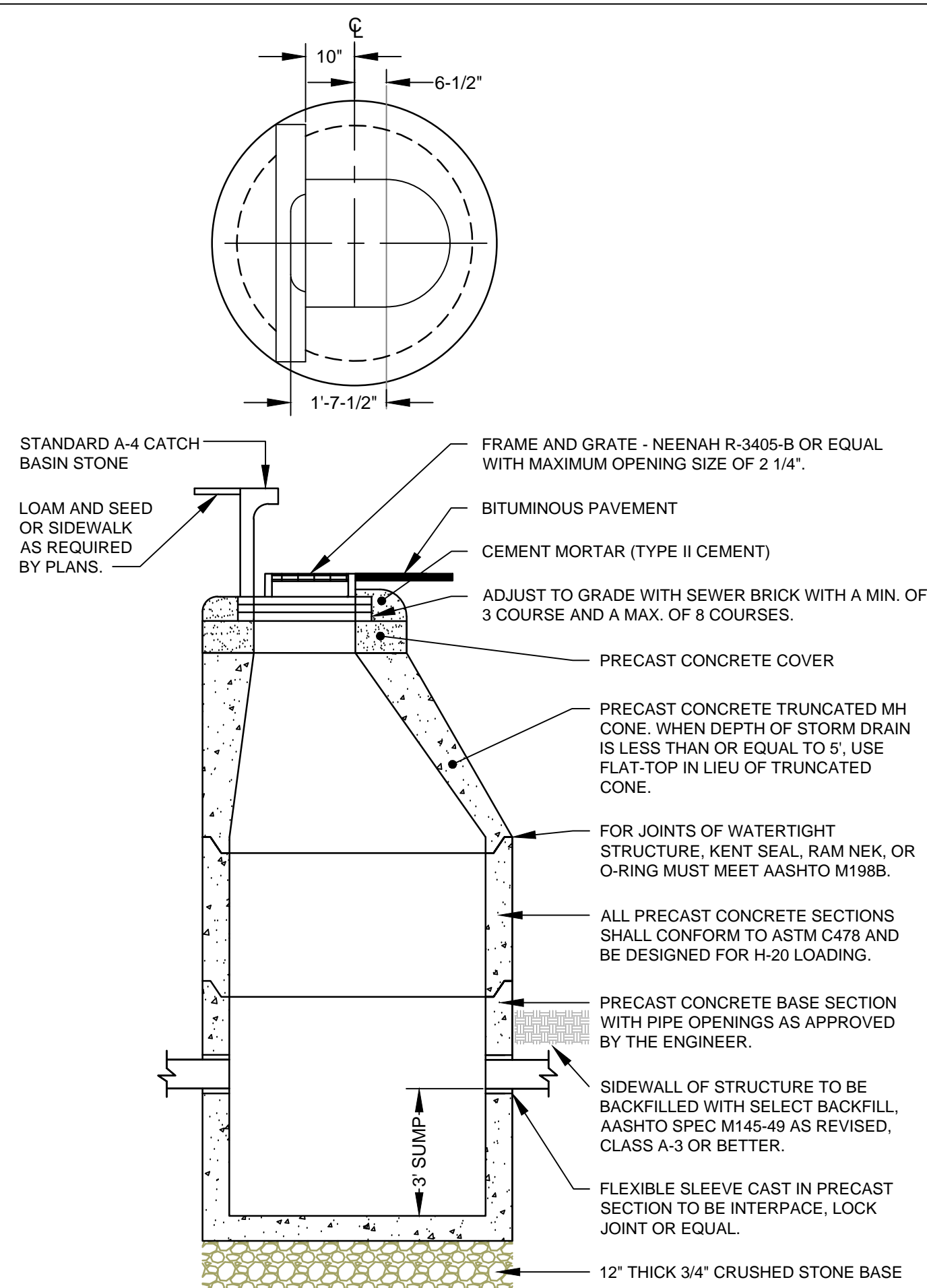
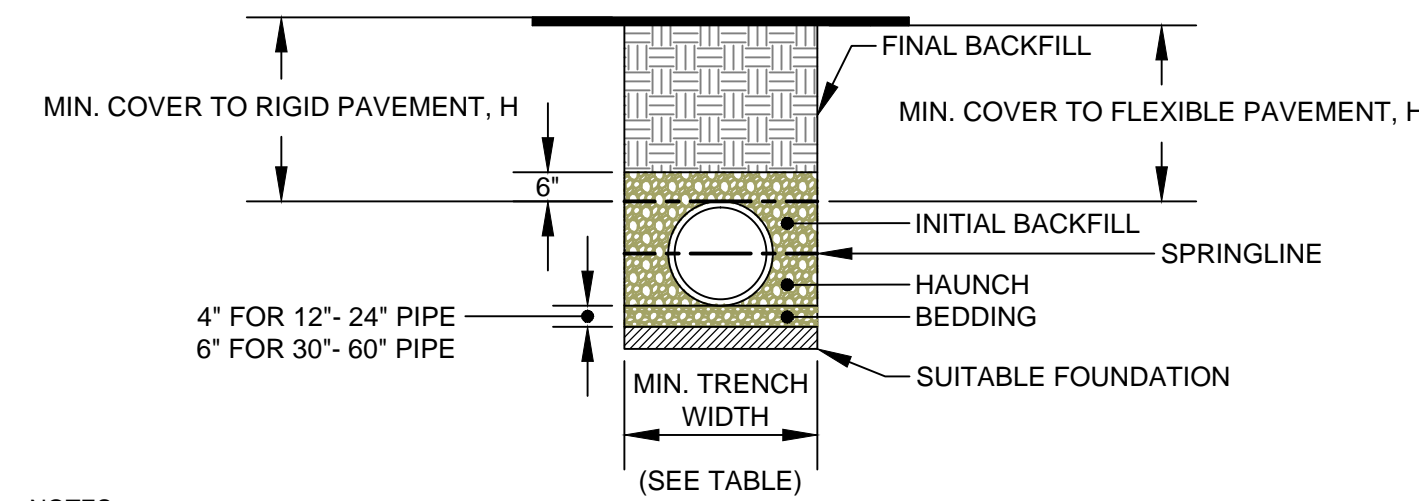


NOTE: PIPE CONNECTIONS SHALL BE WATERTIGHT FLEXIBLE BOOT CONNECTORS PROVIDES LEAKPROOF CONNECTION

PRECAST CONCRETE MANHOLE
NOT TO SCALE



CATCH BASIN - CURB INLET
NOT TO SCALE



NOTES:

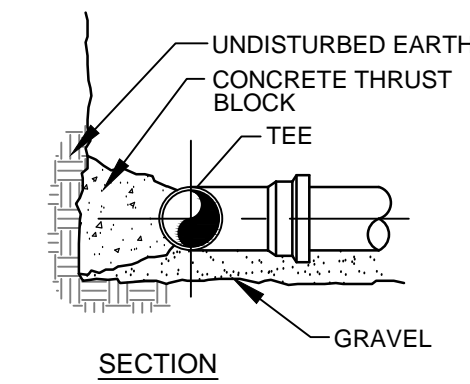
- ALL PIPE SYSTEMS SHALL BE INSTALLED IN ACCORDANCE WITH ASTM D2321, "STANDARD PRACTICE FOR UNDERGROUND INSTALLATION OF THERMOPLASTIC PIPE FOR SEWERS AND OTHER GRAVITY FLOW APPLICATIONS", LATEST ADDITION
- MEASURES SHOULD BE TAKEN TO PREVENT MIGRATION OF NATIVE FINES INTO BACKFILL MATERIAL, WHEN REQUIRED.

PIPE DIAM.	MIN. TRENCH WIDTH
4"	21"
6"	23"
8"	26"
10"	28"
12"	30"
15"	34"
18"	39"
24"	48"
30"	56"
36"	64"
42"	72"
48"	80"
54"	88"
60"	96"

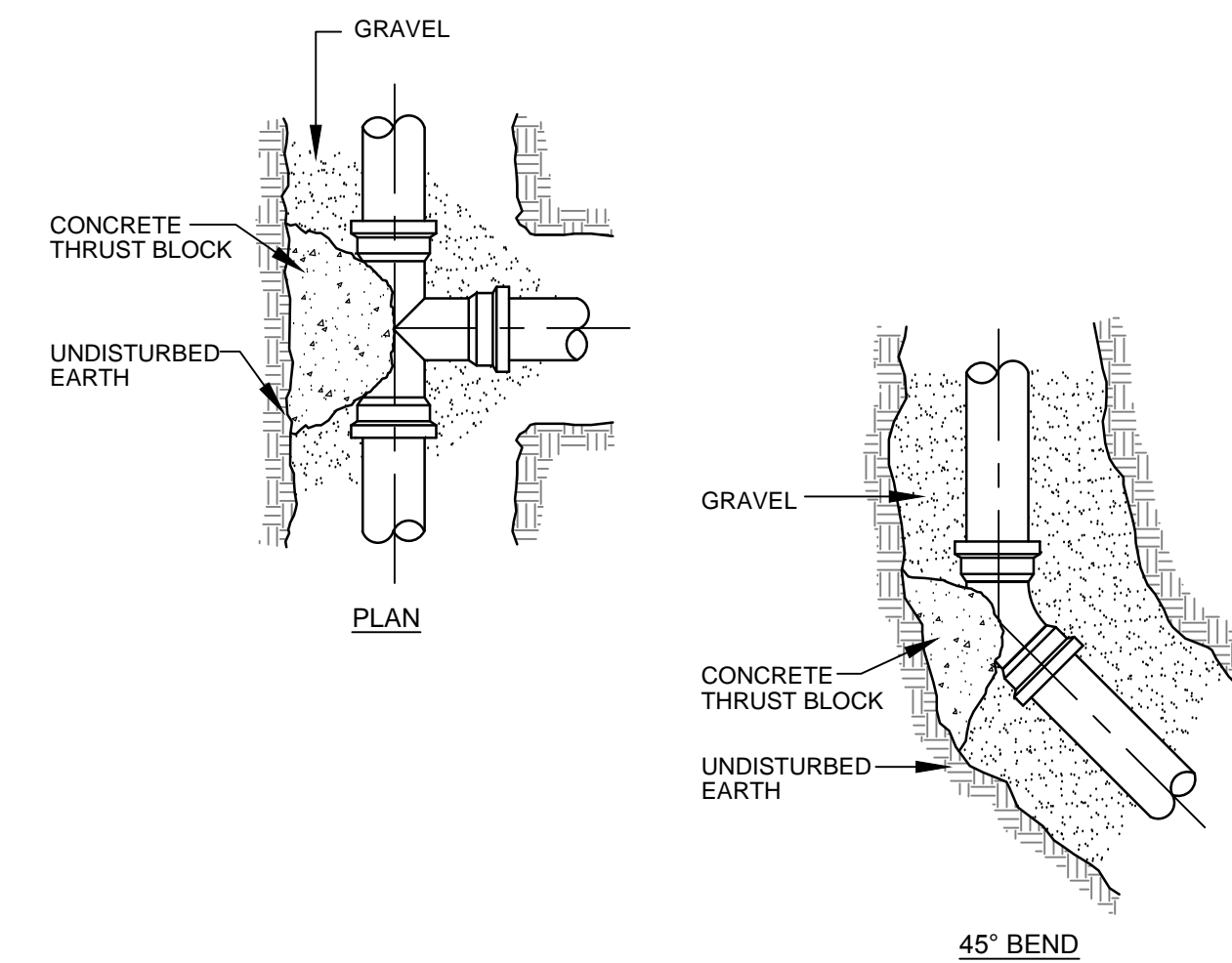
PIPE DIAM.	SURFACE LIVE LOADING CONDITION	
	H-25	HEAVY CONSTRUCTION (75T AXLE LOAD) *
12" - 48"	12"	48"
54" - 60"	24"	60"

* VEHICLES IN EXCESS OF 75T MAY REQUIRE ADDITIONAL COVER

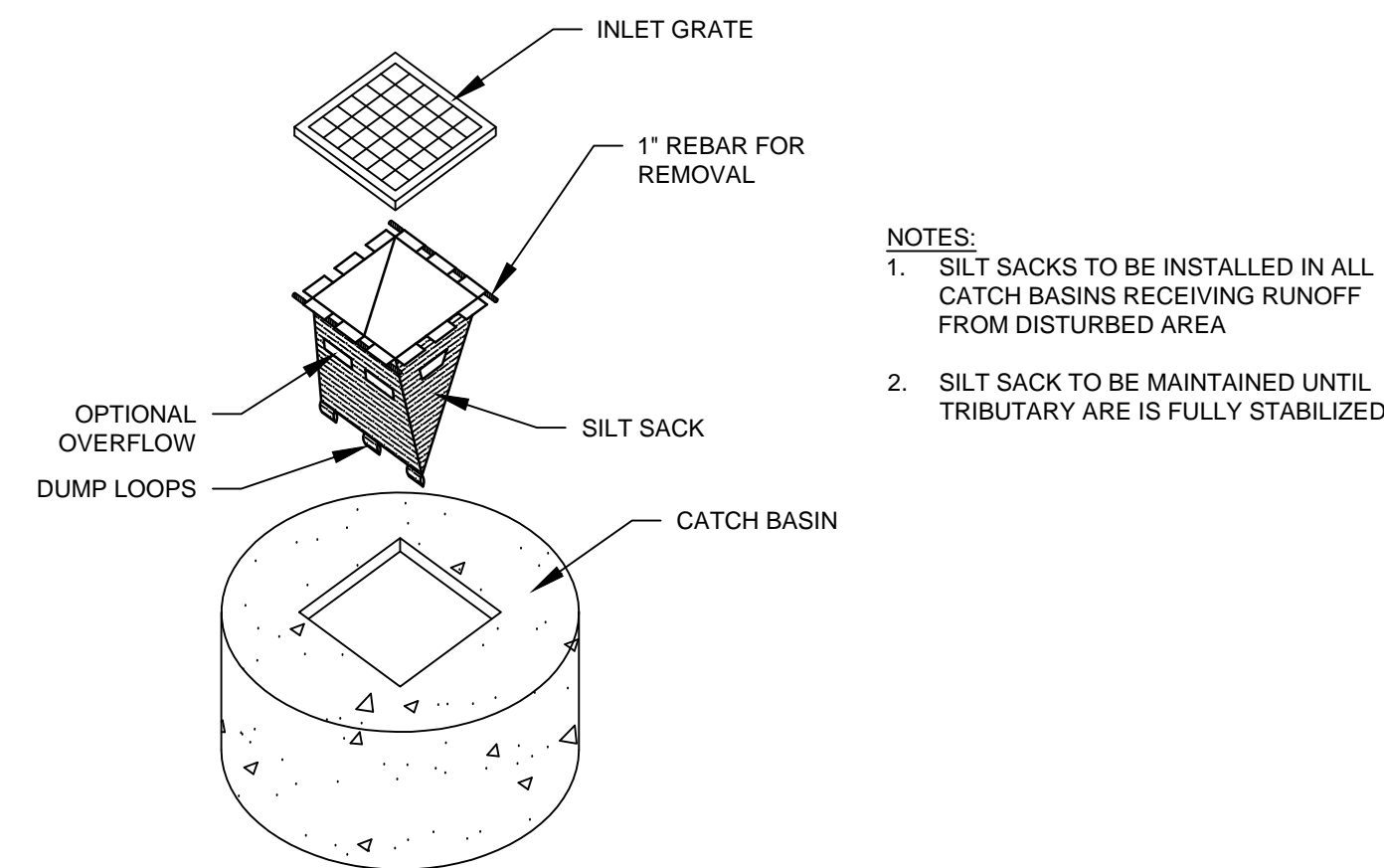
TYPICAL TRENCH DETAIL
NOT TO SCALE



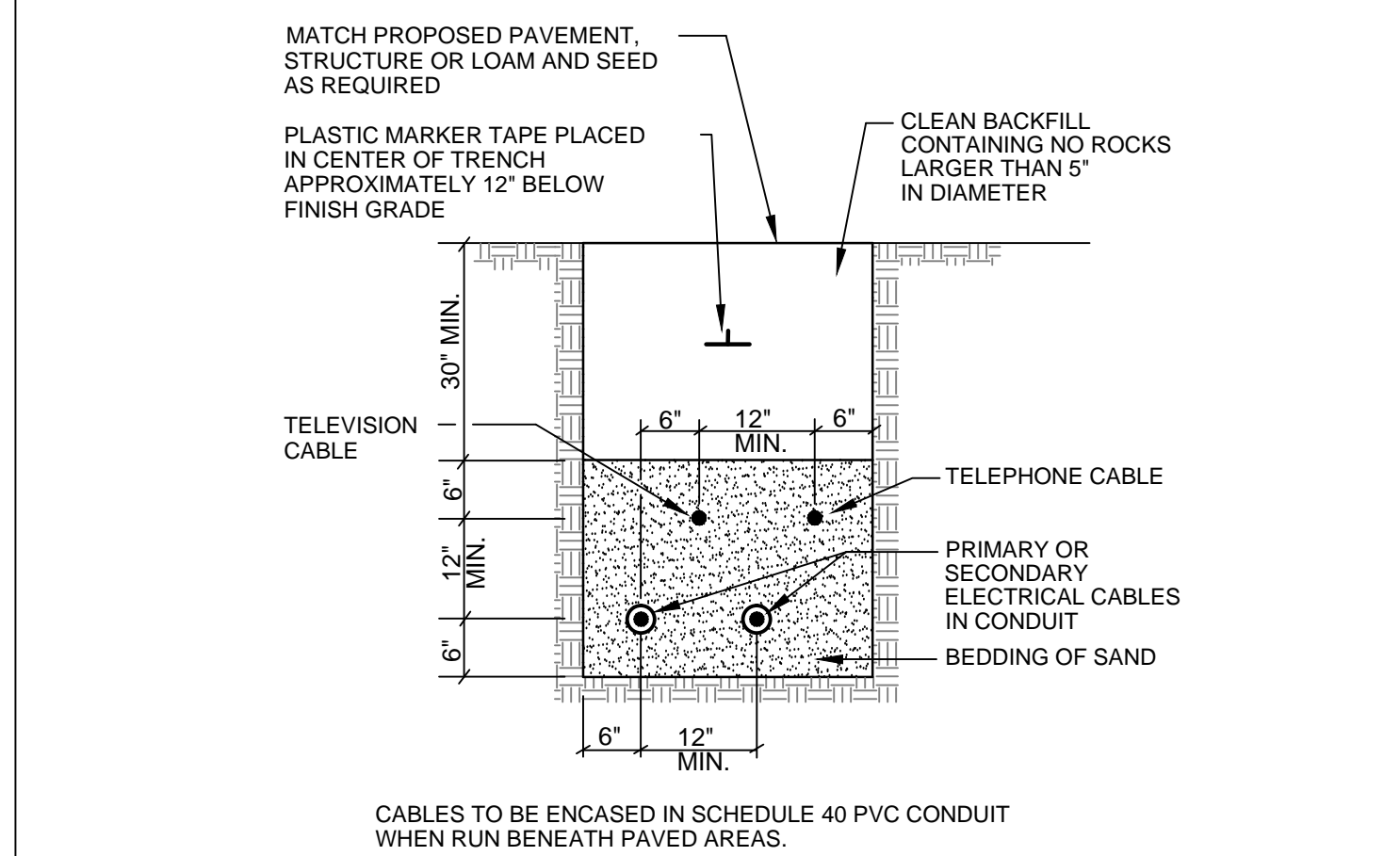
FITTINGS	SQ. FT. OF BEARING ON UNDISTURBED SOIL		
	90° BENDS	45° BENDS	TEES AND PLUGS
PIPE SIZE			
6"	4.0	2.0	3.0
8"	8.0	4.0	6.0
12"	15	10	10



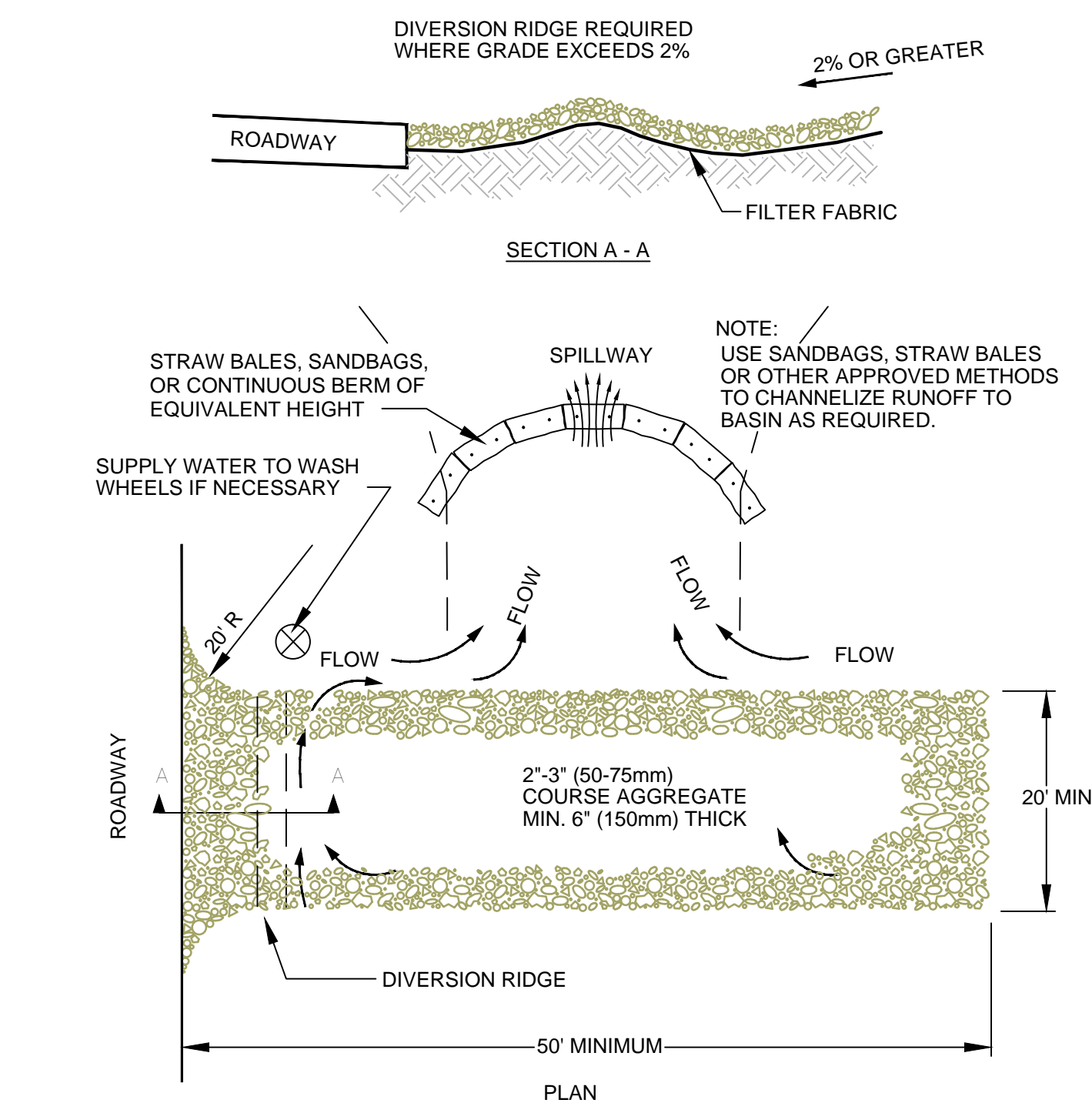
TEE & BEND DETAIL
NOT TO SCALE



SILT SACK DETAIL
NOT TO SCALE

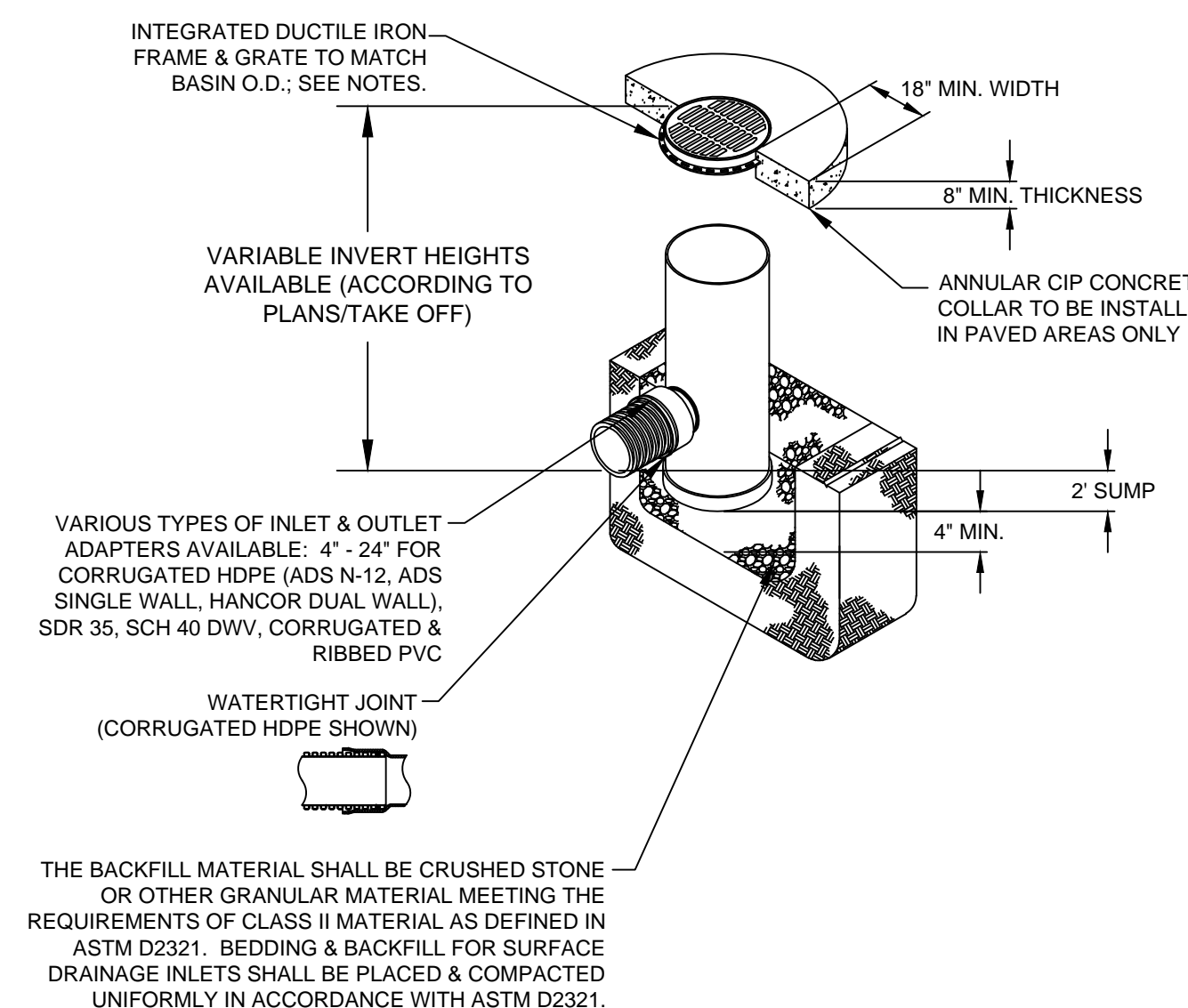


TYPICAL UNDERGROUND CABLE INSTALLATION
NOT TO SCALE



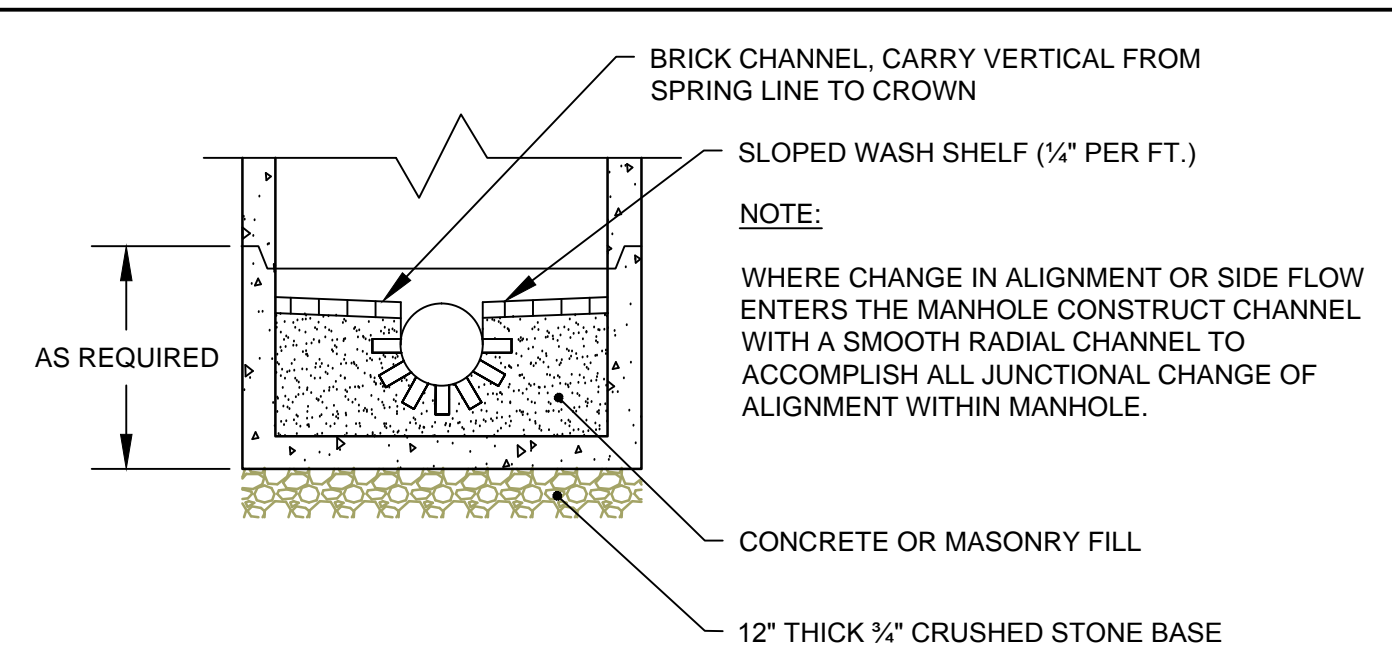
- NOTES:
- THE ENTRANCE SHALL BE MAINTAINED IN A CONDITION THAT WILL PREVENT TRACKING OR FLOWING OF SEDIMENT ONTO PUBLIC RIGHT-OF-WAYS. THIS MAY REQUIRE TOP DRESSING, REPAIR AND/OR CLEAN OUT OF ANY MEASURES USED TO TRAP SEDIMENT.
 - WHEN NECESSARY, WHEELS SHALL BE CLEANED PRIOR TO ENTRANCE ONTO PUBLIC RIGHT-OF-WAY.
 - WHEN WASHING IS REQUIRED, IT SHALL BE DONE ON AN AREA STABILIZED WITH CRUSHED STONE THAT DRAINS INTO AN APPROVED SEDIMENT TRAP OR SEDIMENT BASIN.

STABILIZED CONSTRUCTION ENTRANCE
NOT TO SCALE

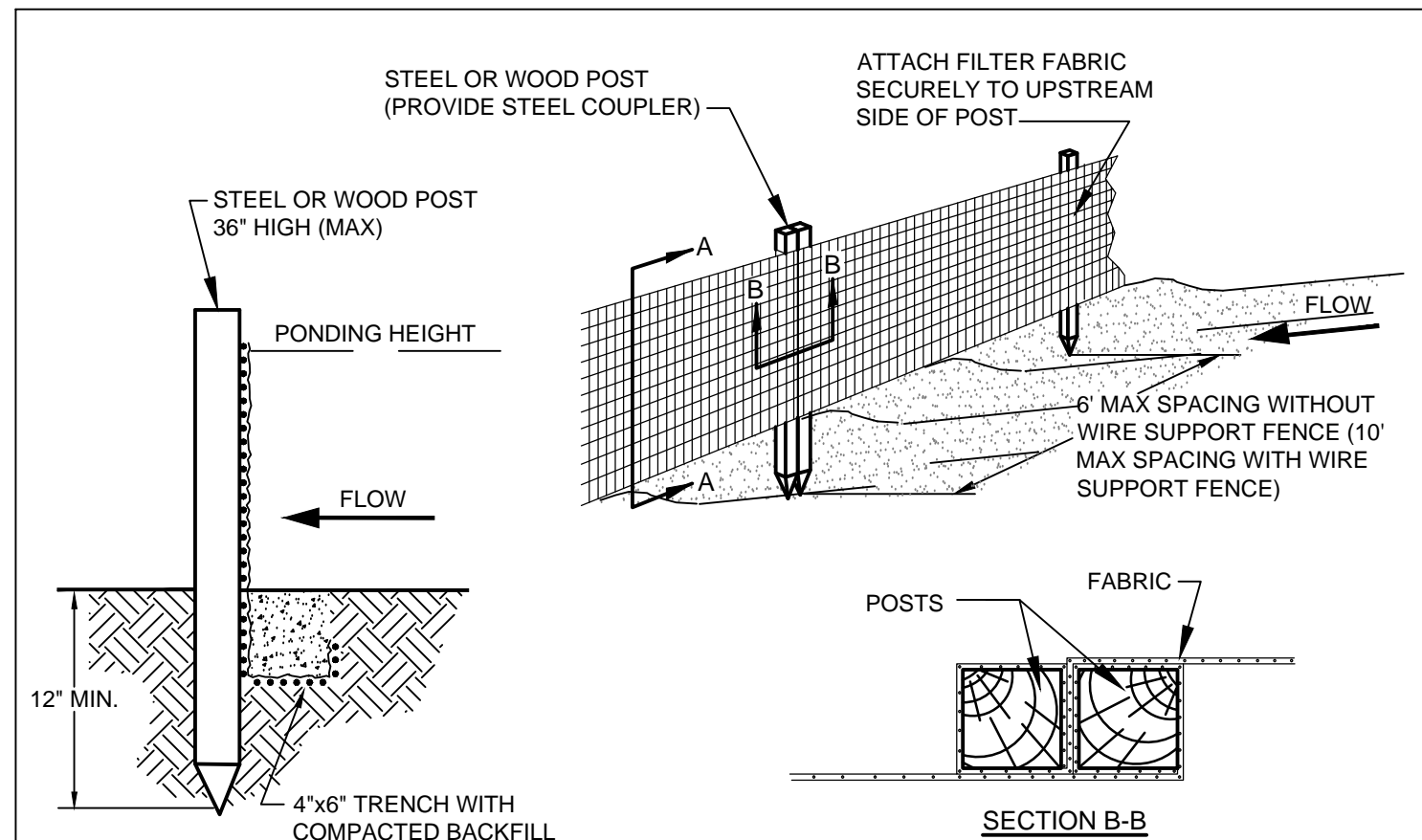


- NOTES:
- GRATES/SOLID COVER SHALL BE DUCTILE IRON PER ASTM A536 GRADE 70-50-05.
 - FRAMES SHALL BE DUCTILE IRON PER ASTM A536 GRADE 70-50-05
 - DRAINAGE CONNECTION STUB JOINT TIGHTNESS SHALL CONFORM TO ASTM D3212 FOR CORRUGATED HDPE (ADS & HANCOR DUAL WALL) & SDR 35 PVC
 - ALL CATCH BASINS SHALL HAVE STANDARD H-20 GRATES
 - ALL DRAIN MANHOLES SHALL HAVE SOLID COVER

NYLOPLAST DRAIN BASIN
NOT TO SCALE

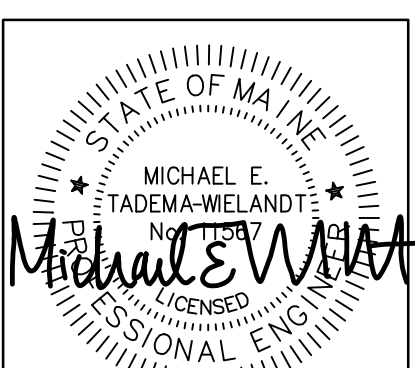


MANHOLE CHANNEL INVERT INSTALLATION
NOT TO SCALE



SILT FENCE
NOT TO SCALE

PRELIMINARY - NOT FOR CONSTRUCTION



P.E. MICHAEL E. TADEAMA-WIELANDT
DATE: 4/25/17

NO.	DATE	BY		REVISIONS
		APP'D	MTW	
1	4-25-2017			SUBMITTED TO CITY OF PORTLAND FOR REVIEW

P.O. BOX 339
111 ELDERBERRY LANE
NEW GLOUCESTER, ME 04260



Office: (207) 926-5111 FAX: (207) 221-1317
www.terraDynconsultants.com

Civil Engineering - Land Planning - Stormwater Design - Environmental Permitting

SHEET DESCRIPTION
ONEJOY PLACE
1 JOY PLACE, PORTLAND, MAINE 04102
UTILITY & DRAINAGE DETAILS

PREPARED FOR
ONEJOY PLACE, LLC
C/O RENEWAL HOUSING ASSOCIATES, LLC
2 UNION STREET, 5TH FLOOR
PORTLAND, MAINE 04101

DATE: 3/7/2017
SCALE: N.T.S.
DESIGNED: MTW
JOB NO: 1704
FILE: 1704-DETAILS.DWG
SHEET **C-6.1**