

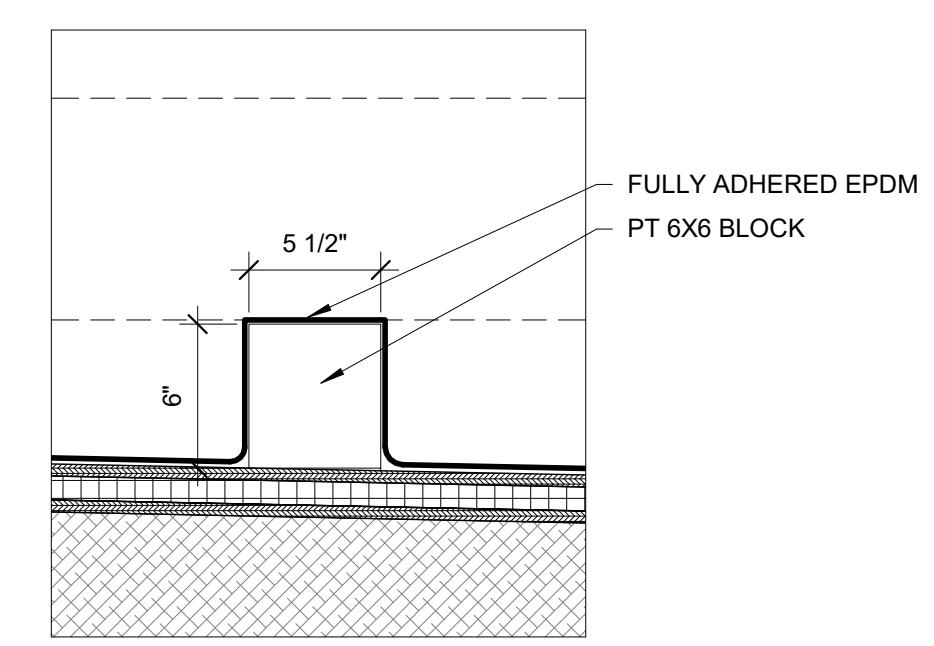
Prepared For:
Onejoy Place LLC
 c/o Renewal Housing
 Associates LLC
 2 Union Street, 5th Floor
 Portland, ME 04101

Consultant:
ARCHETYPE architects
 48 Union Wharf Portland, Maine 04101
 (207) 772-6002 ARCHETYPE@ARCHETYPEPA.COM

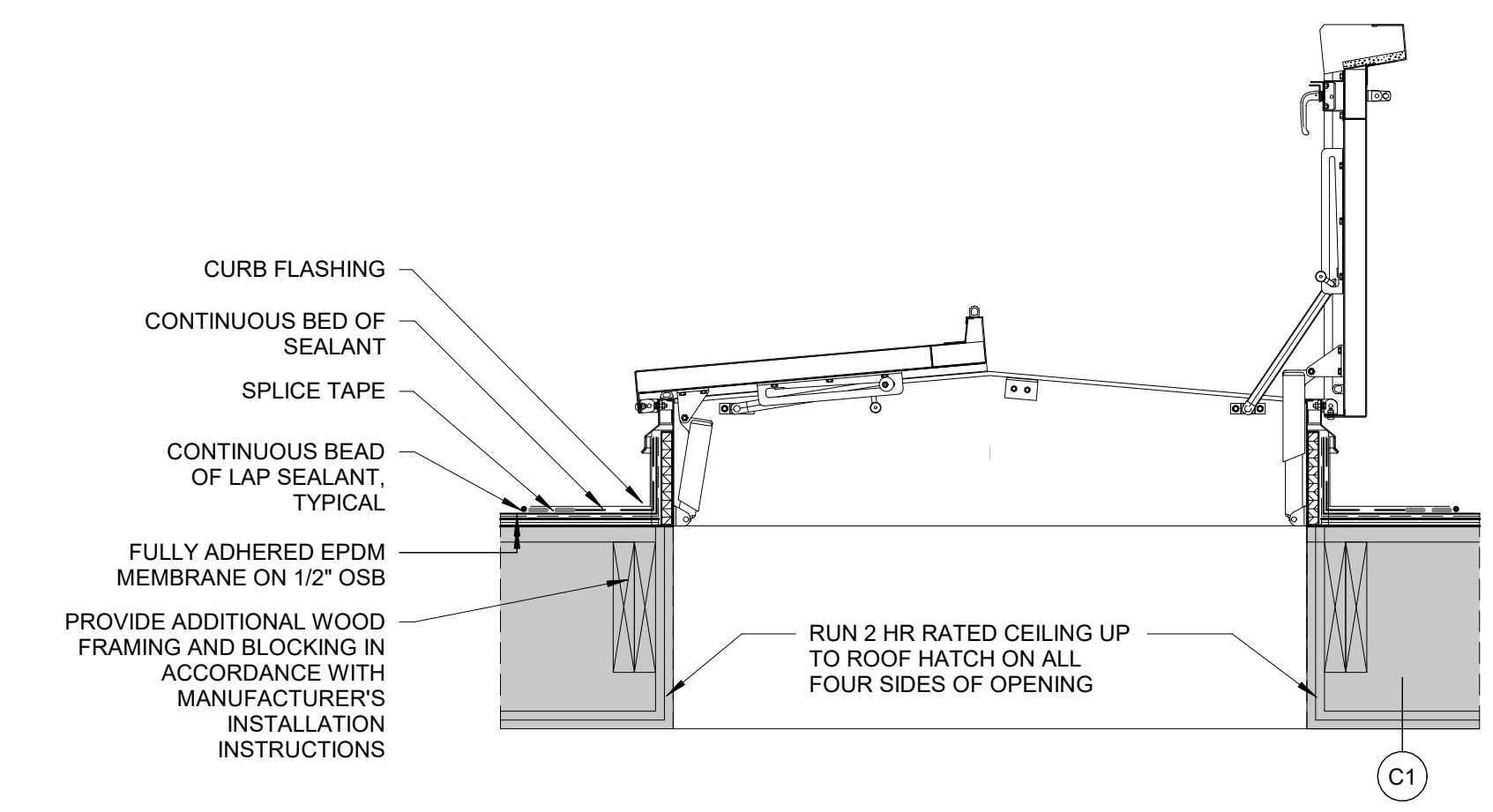
Project:
onejoy
 WEST END • PORTLAND

Date: 11 JAN 2018
 Scale: As indicated
ROOF PLAN

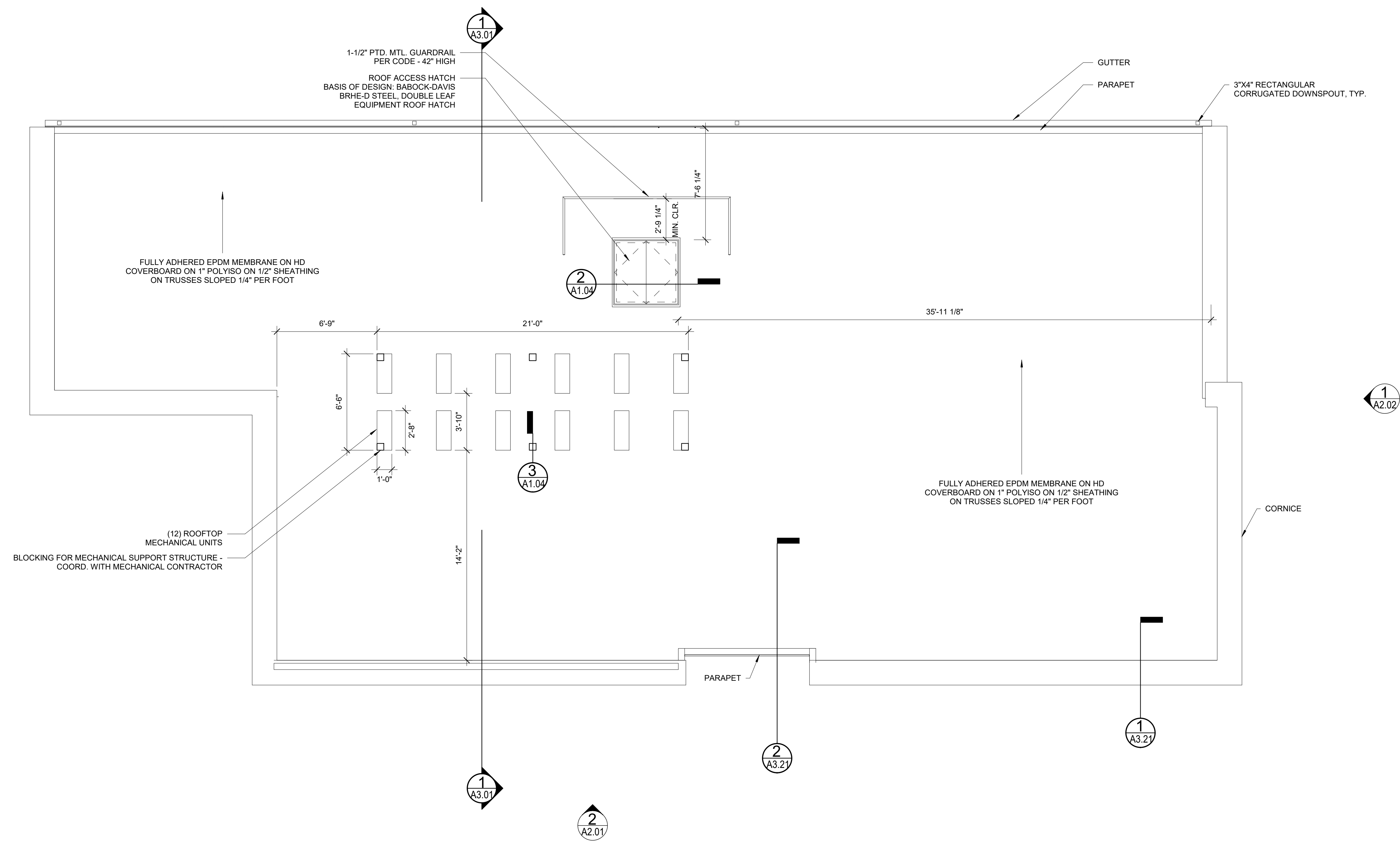
A1.04



3 | ROOF BLOCKING DETAIL
 1 1/2" = 1'-0"



2 | ROOF DETAIL - ROOF HATCH
 1" = 1'-0"



1 | ROOF
 1/4" = 1'-0" 2,618 GROSS SF
 PROJECT NORTH