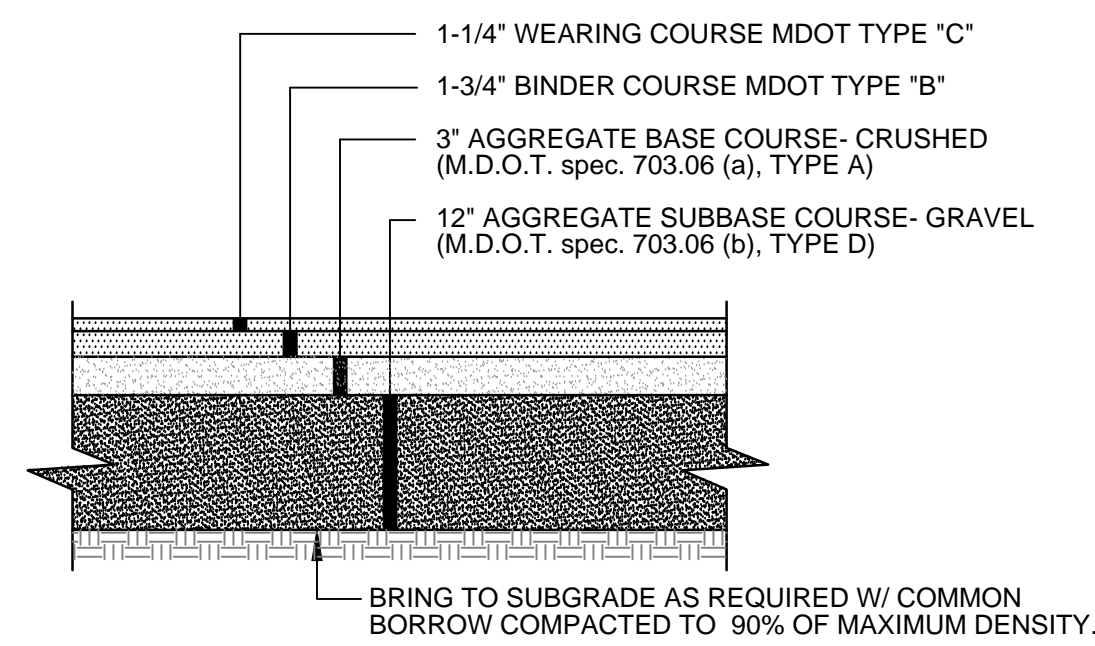


BRICK SIDEWALK SECTION

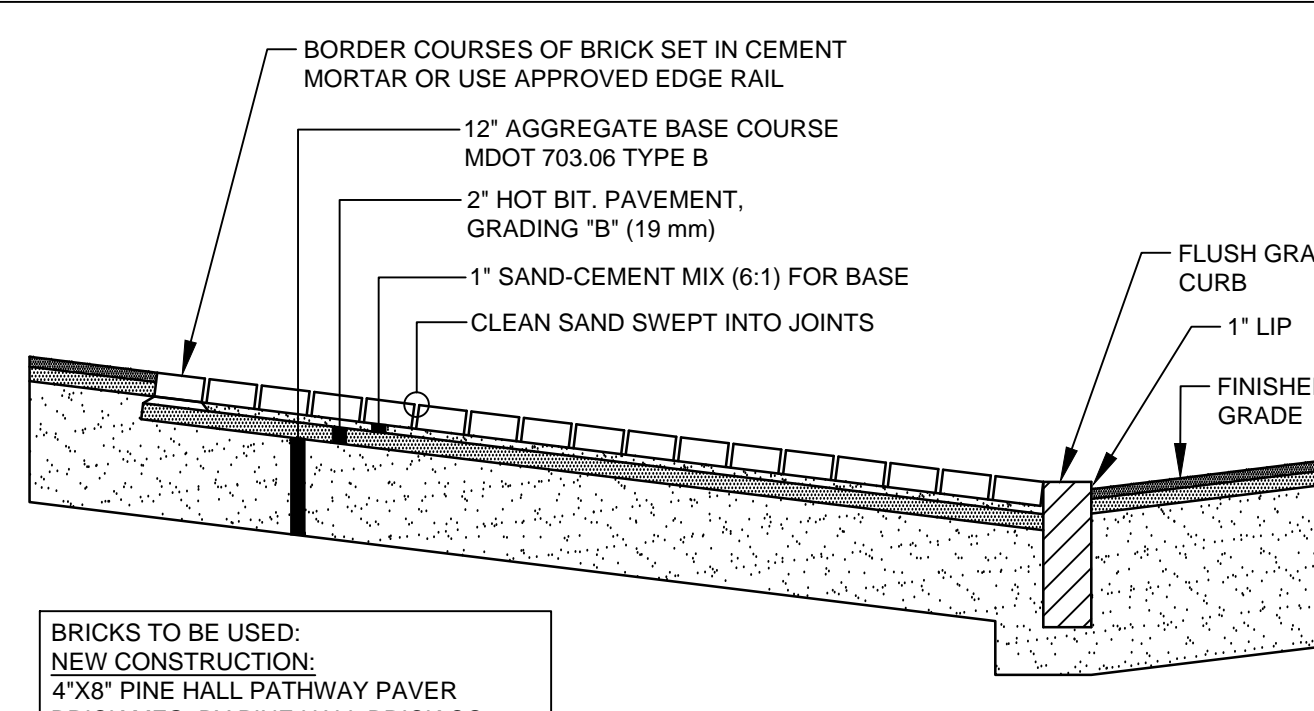
NOT TO SCALE



BRING TO SUBGRADE AS REQUIRED W/ COMMON BORROW COMPACTED TO 90% OF MAXIMUM DENSITY.

TYP. DRIVEWAY PAVEMENT SECTION

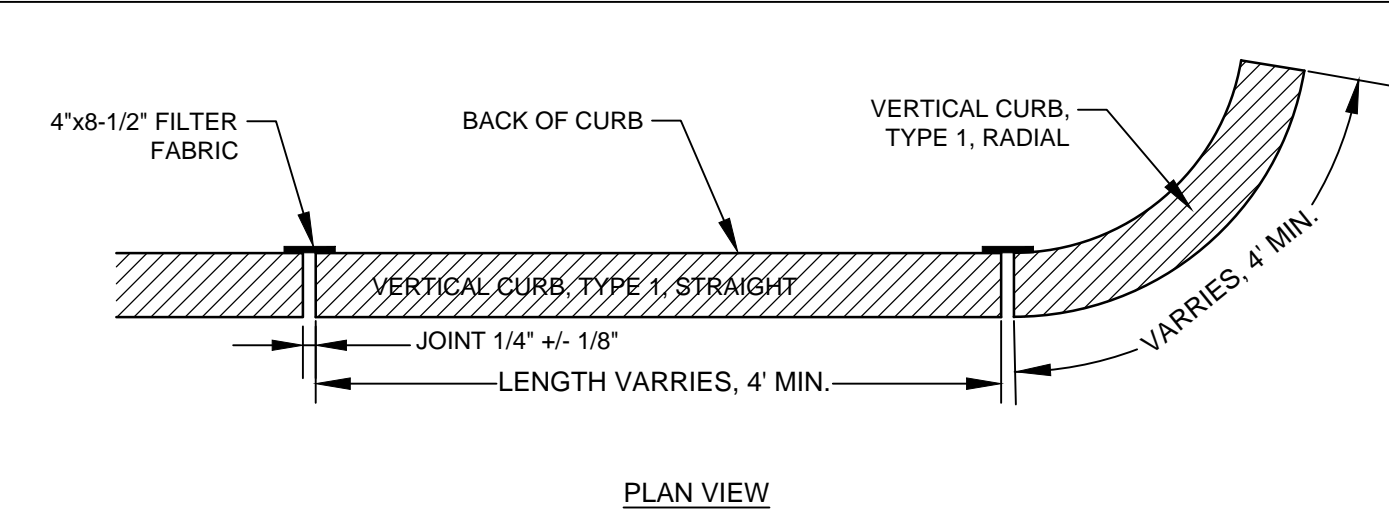
NOT TO SCALE



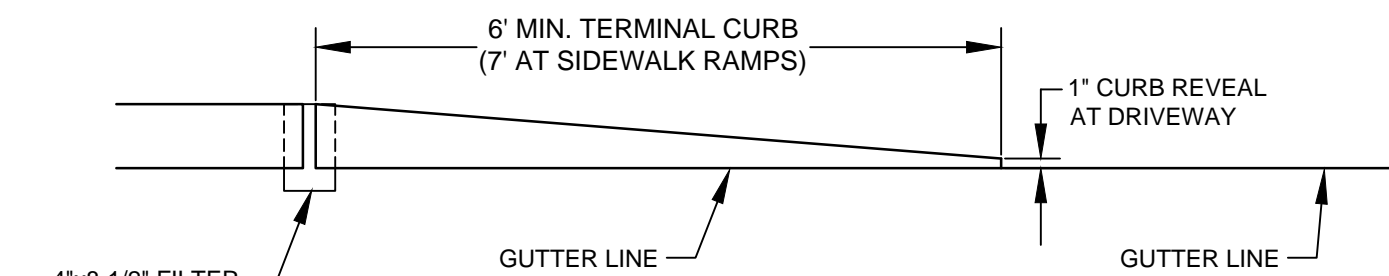
BRICKS TO BE USED:
NEW CONSTRUCTION:
 4"x8" PINE HALL PATHWAY PAVER
 BRICK MFG. BY PINE HALL BRICK CO.
 MADISON, NC, LACHANCE ITEM # 193623
REPAIR/MAINTENANCE TO EXISTING:
 VERMONT BACKER BRICK, SUPPLIED BY
 GAGNE & SONS, ITEM # VBBB

BRICK DRIVEWAY APRON

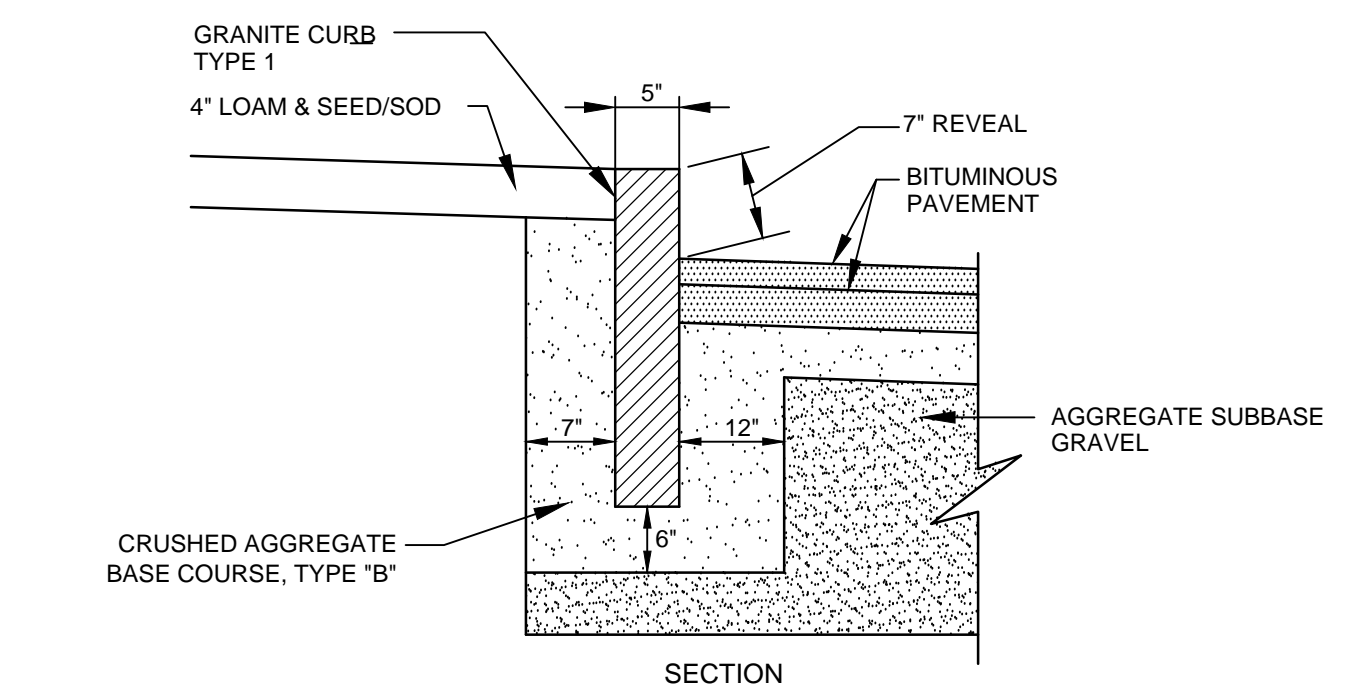
NOT TO SCALE



PLAN VIEW



TERMINAL CURB PROFILE

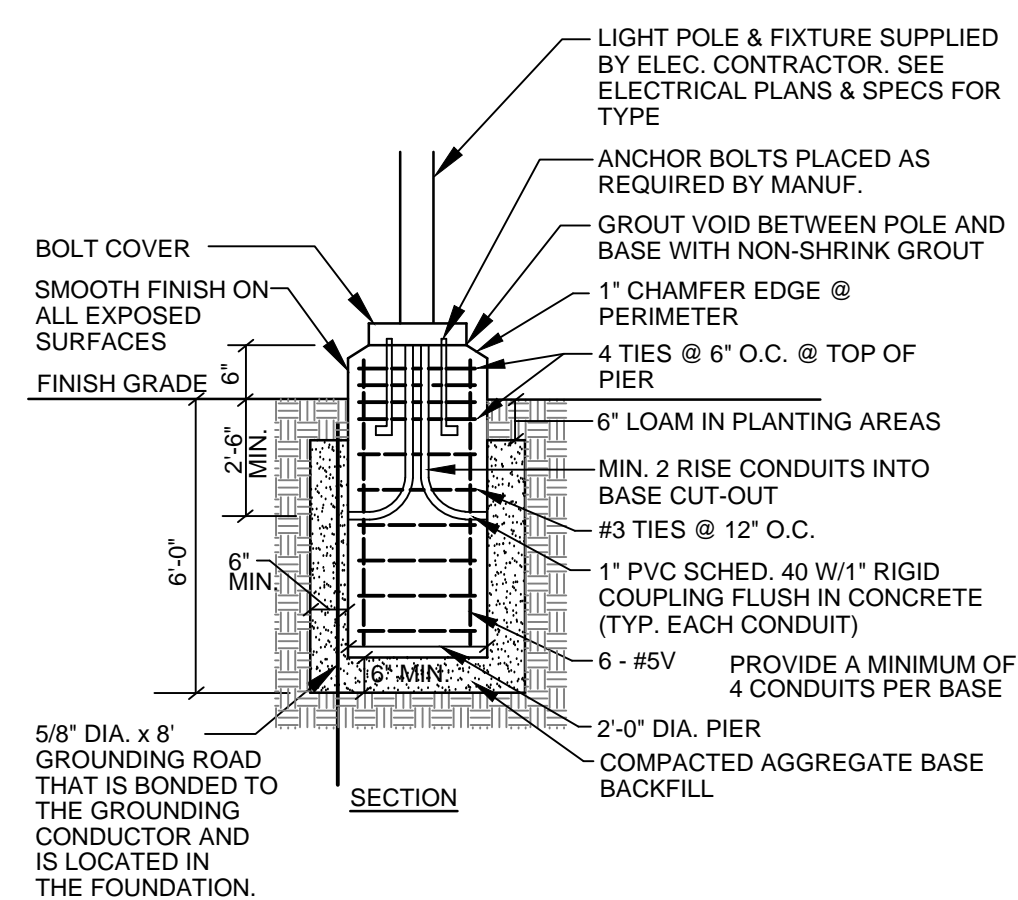


SECTION

NOTES:
 1. MIN. LENGTH OF STRAIGHT CURB STONES: 4'. MAX. LENGTH: 8'
 2. CIRCULAR CURB REQ. FOR RADIUS LESS THAN 50'
 3. BASE GRAVEL SHALL BE COMPACTED TO A FIRM EVEN SURFACE PRIOR TO SETTING OF CURB.

VERTICAL GRANITE CURB

NOT TO SCALE



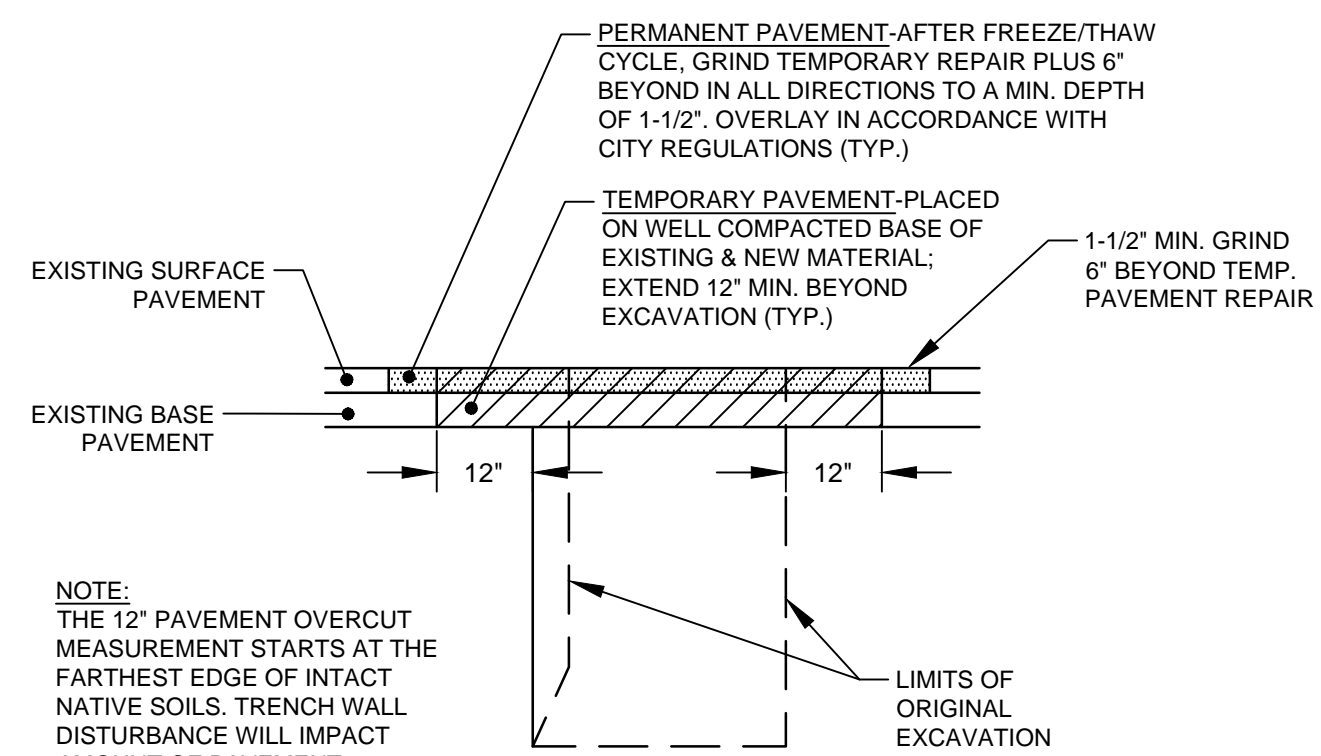
SECTION

PLAN

NOTES:
 1. CONCRETE f'c=4000 psi.
 2. REINF. STEEL GRADE 60 NEW BARS.
 3. CONCRETE 3/4" AGG., 6 +/- 1% ENTRAINED AIR.
 4. PROVIDE 2 COATS BITUMINOUS DAMPROOFING FOR ALL CONCRETE BELOW GRADE.
 5. EXPOSED CONCRETE TO BE PAINTED WITH 2 COATS OF ACRYLIC PAINT. COLOR TO MATCH POLE COLOR.
 6. INSTALL BASE 3'-0" ABOVE FINISH GRADE IN LOCATIONS WHERE POLES ARE IN PARKING LOT PAVEMENT.

LIGHT POLE BASE

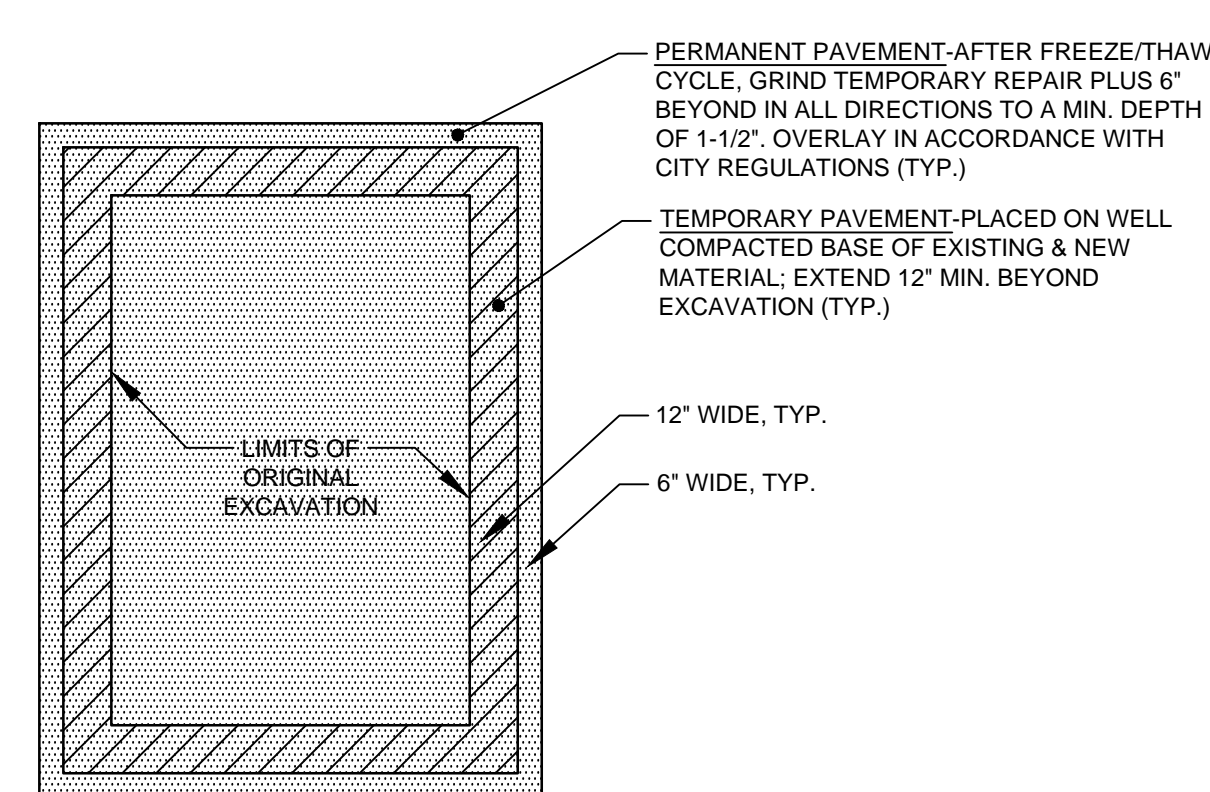
NOT TO SCALE



NOTE:
 THE 12" PAVEMENT OVERCUT MEASUREMENT STARTS AT THE FARTHEST EDGE OF INTACT NATIVE SOILS. TRENCH WALL DISTURBANCE WILL IMPACT AMOUNT OF PAVEMENT REMOVAL REQUIRED

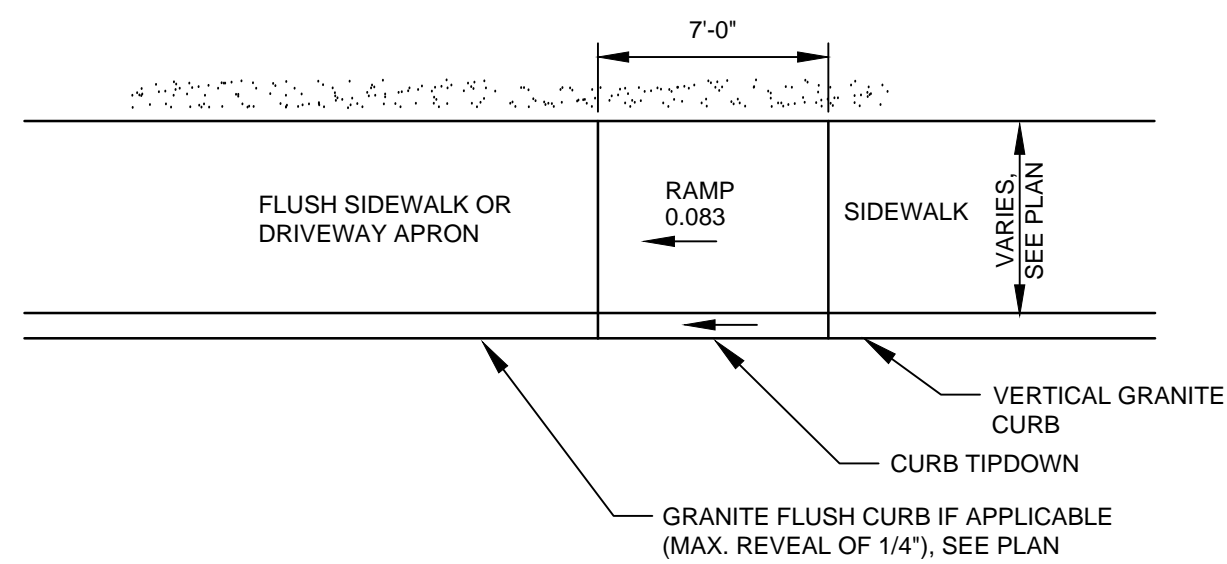
TYP. EXCAVATION IN CITY RIGHT OF WAY

NOT TO SCALE



PLAN VIEW OF MINOR EXCAVATION PAVEMENT REPAIR

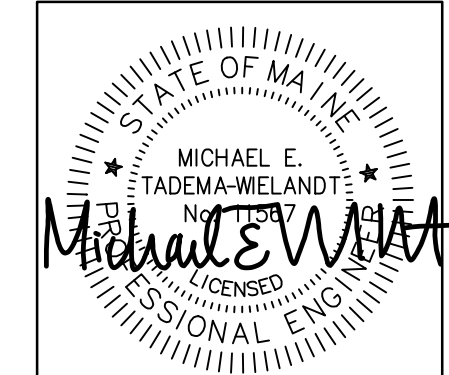
NOT TO SCALE



NOTES:
 1. RAMPS SHALL BE CONSTRUCTED IN ACCORDANCE WITH THE AMERICANS WITH DISABILITIES ACT (ADA).
 2. RAMP SHALL BE CONSTRUCTED TO A MINIMUM OF 1:12 SLOPE.
 3. A TACTILE WARNING STRIP IS REQUIRED WHERE RAMP ABUTS AN AREA USED BY VEHICLES.

CURB RAMP

NOT TO SCALE



P.E.: MICHAEL E. TADEAMA-WIELANDT
 DATE: 4/25/17

NO.	DATE	REVISIONS	BY
1	4-25-2017	SUBMITTED TO CITY OF PORTLAND FOR REVIEW	MTW

965 CONGRESS STREET
 SUITE 310
 PORTLAND, ME 04102

P.O. BOX 389
 111 ELDERBERRY LANE
 NEW GLOUCESTER, ME 04260

OFFICE: (207) 926-5111 FAX: (207) 221-1317
 www.terradynconsultants.com

TERRADYN CONSULTANTS, LLC
 Civil Engineering - Land Planning - Stormwater Design - Environmental Permitting

SHEET DESCRIPTION
ONEJOY PLACE
 1 JOY PLACE, PORTLAND, MAINE 04102

PREPARED FOR
ONEJOY PLACE, LLC
 C/O RENEWAL HOUSING ASSOCIATES, LLC
 2 UNION STREET, 5TH FLOOR
 PORTLAND, MAINE 04101

DATE: 3/7/2017
 SCALE: N.T.S.
 DESIGNED: MTW
 JOB NO: 1704
 FILE: XXXX-DETAILS.DWG

SHEET **C-6.0**

PRELIMINARY - NOT FOR CONSTRUCTION