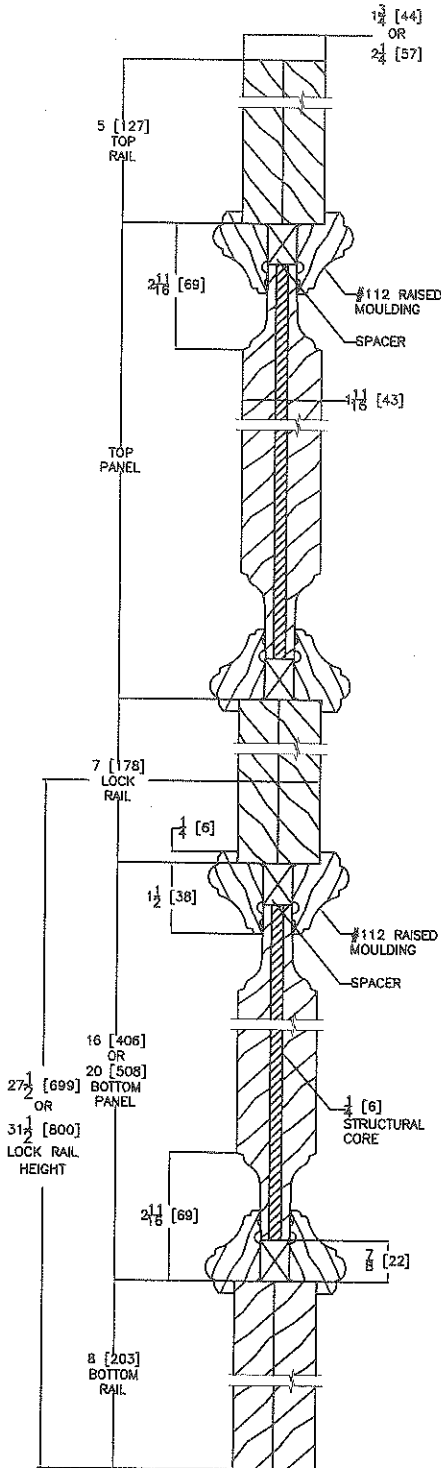


ELEVATION NOTES

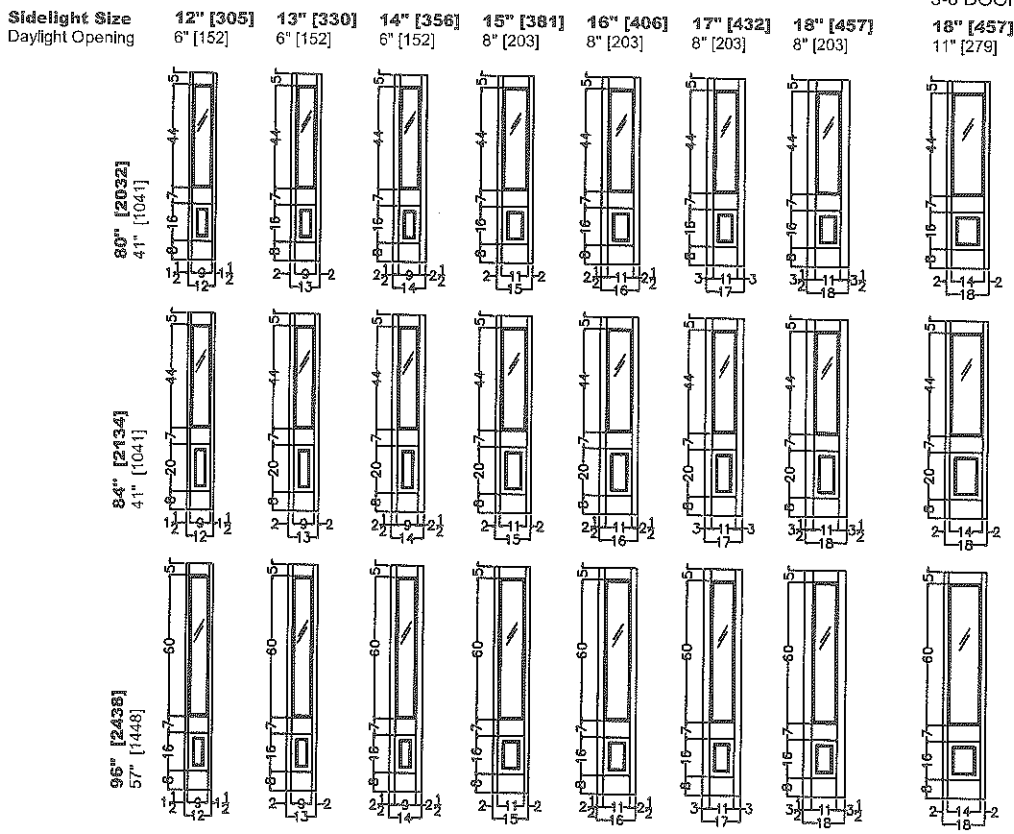
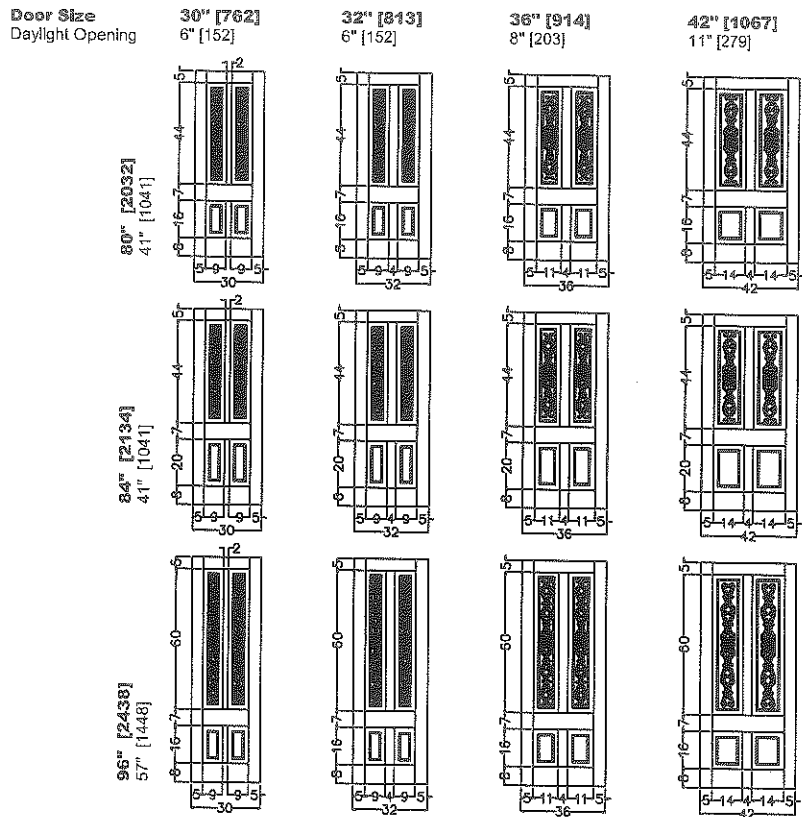
Door Size = Book Size Before Prefit
Daylight Opening (DLO) = Visible Glass
Values in brackets [] are millimeter conversions.
(CARVING OPTIONAL)

DOOR CROSS-SECTION

Moulding Profile = 112
Panel Profile = Double Hip
See 110 Cross Section sheet for more detail.



VERTICAL DOOR CROSS SECTION



SPECIAL SIDELIGHT TO MATCH 3-6 DOOR