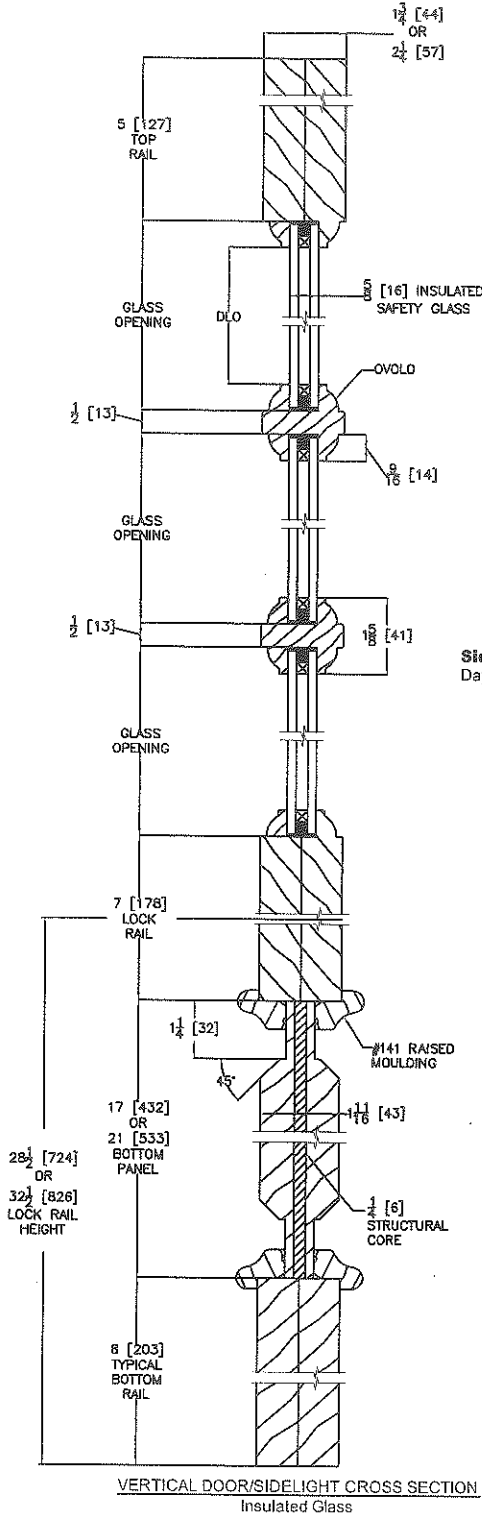


ELEVATION NOTES

Door Size = Book Size Before Prefit
 Daylight Opening (DLO) = Visible Glass
 Values in brackets [] are millimeter conversions.

DOOR CROSS-SECTION

Moulding Profile = 141 / Ovolo
 Panel Profile = 45 Degree
 See 444 Cross Section sheet for more detail.



Door Size
 Daylight Opening

30" [762]
 5 7/32" [133]

32" [813]
 5 7/8" [149]

36" [914]
 7 7/32" [183]

42" [1067]
 9 7/32" [234]

80" [2032]
 12 7/8" [327]

84" [2134]
 12 7/8" [327]

96" [2438]
 16 7/8" [429]

Sidelight Size
 Daylight Opening

12" [305]
 7 7/8" [200]

13" [330]
 7 7/8" [200]

14" [356]
 7 7/8" [200]

15" [381]
 9 7/8" [251]

16" [406]
 9 7/8" [251]

17" [432]
 9 7/8" [251]

18" [457]
 9 7/8" [251]

80" [2032]
 12 7/8" [327]

84" [2134]
 12 7/8" [327]

96" [2438]
 16 7/8" [429]

VERTICAL DOOR/SIDELIGHT CROSS SECTION
 Insulated Glass