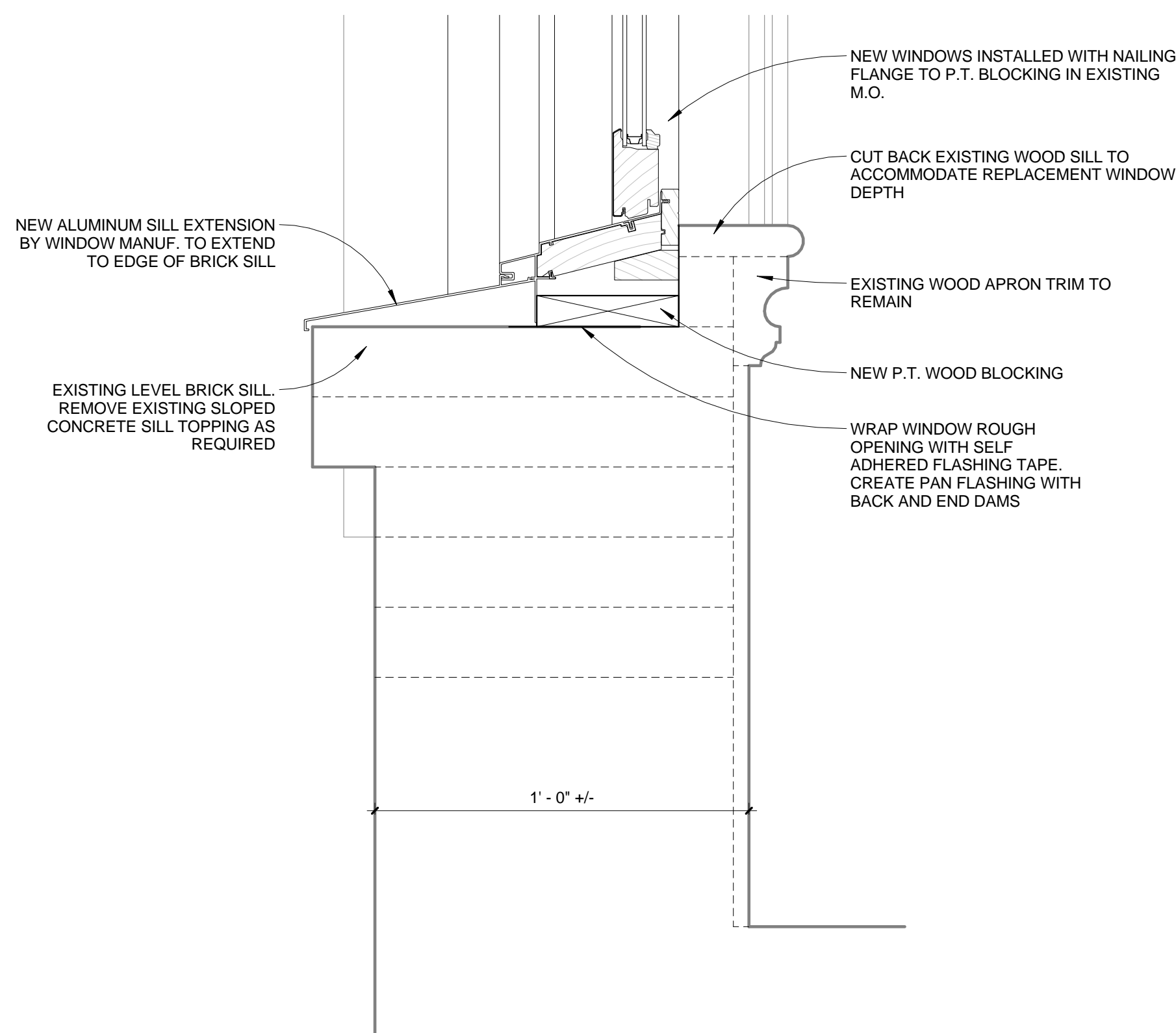
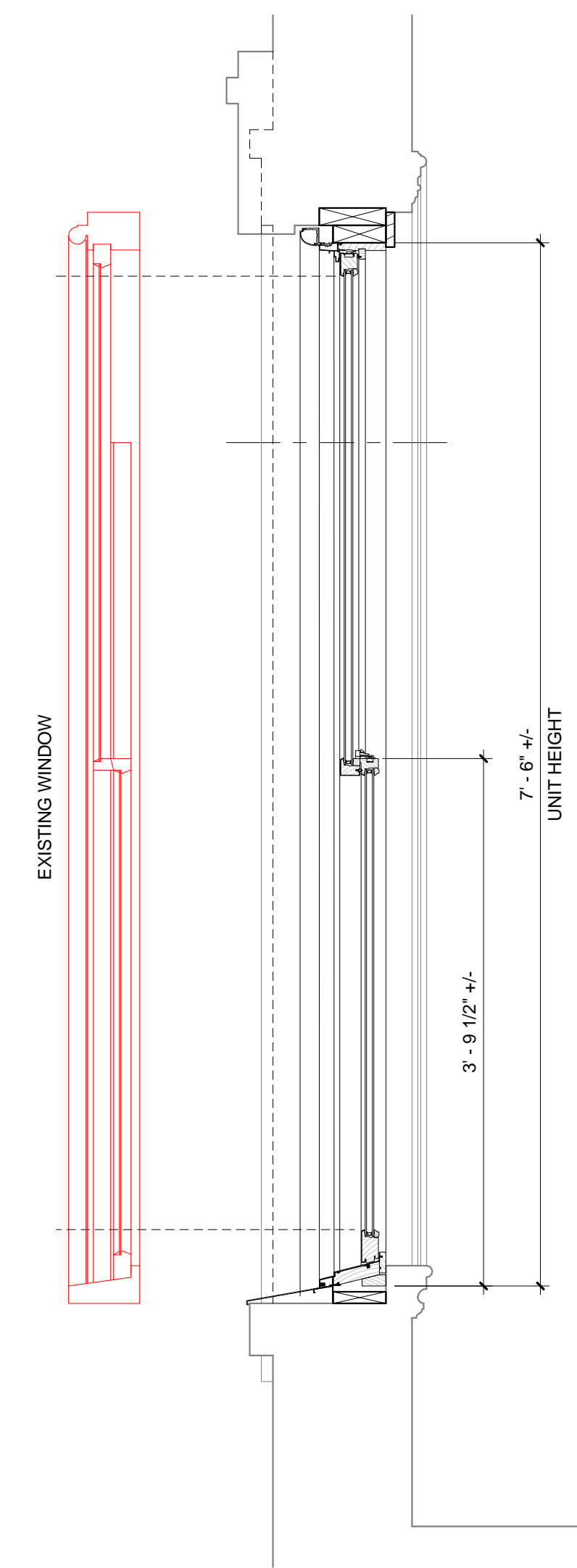
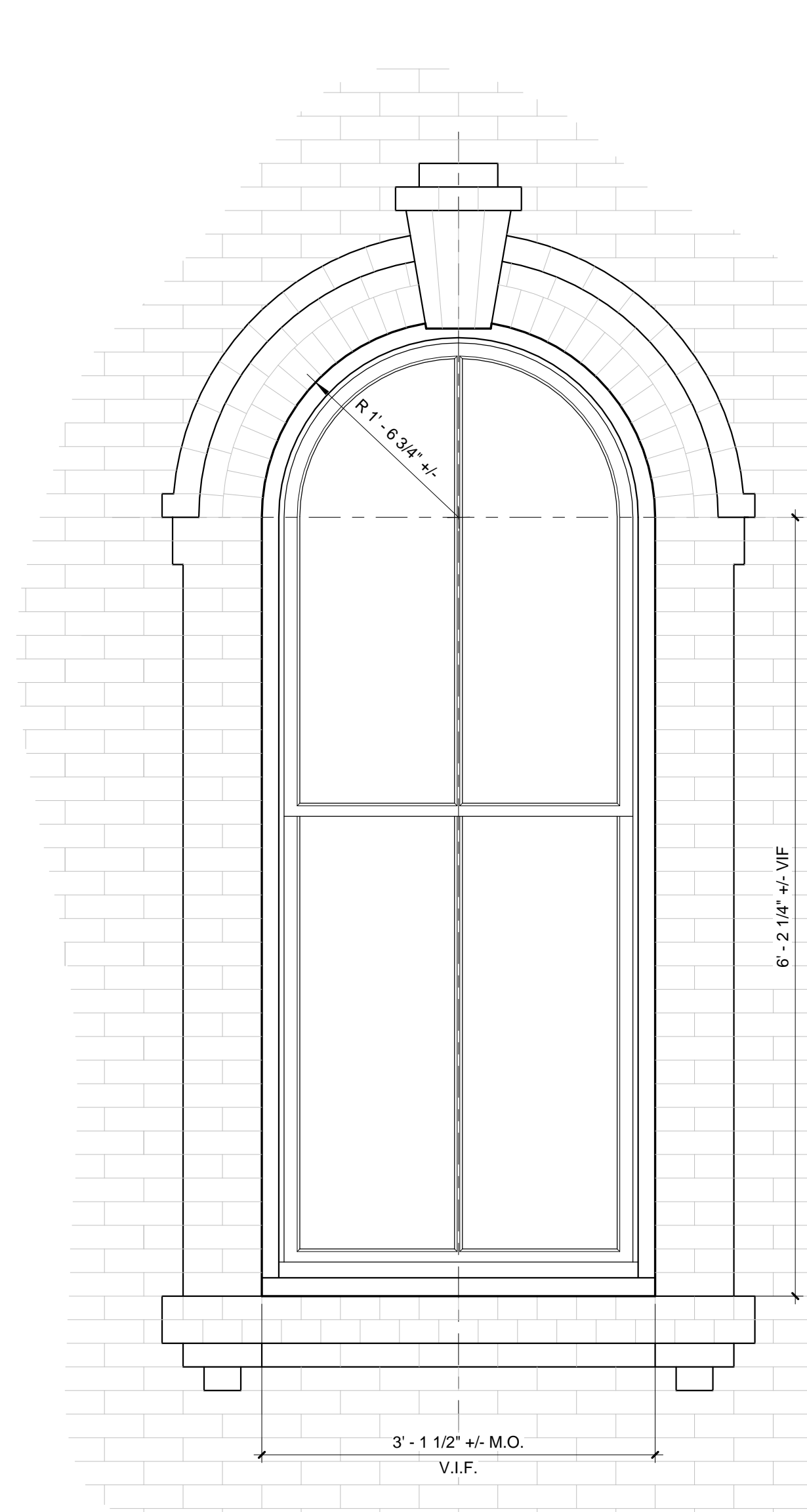


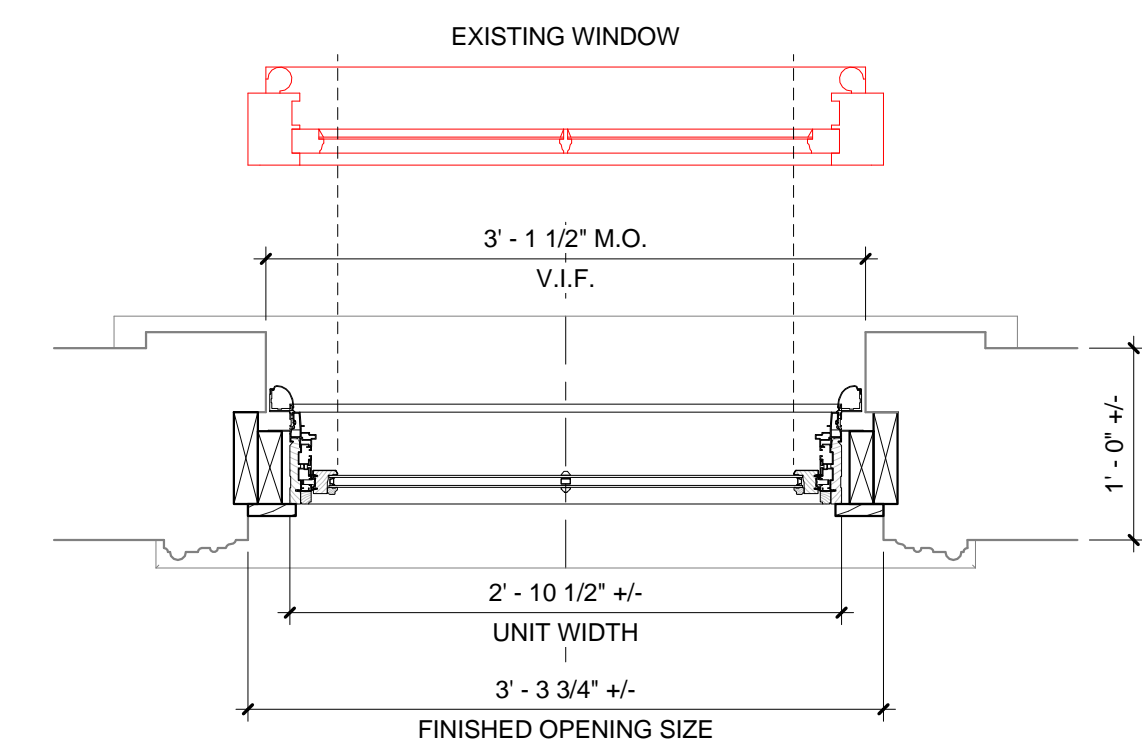
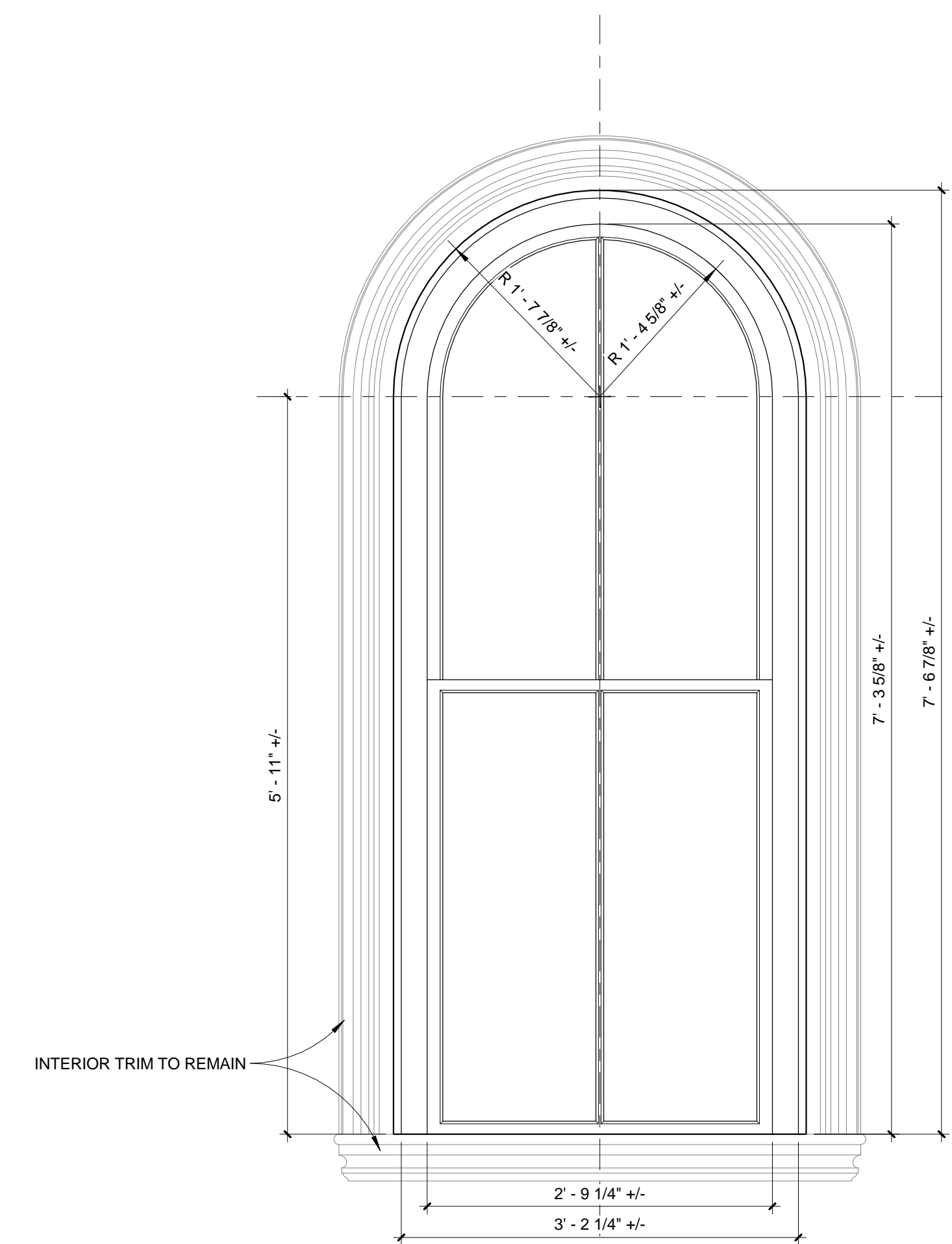
1 ARCH WINDOW - HEAD
 3" = 1'-0"



2 ARCH WINDOW - SILL
 3" = 1'-0"

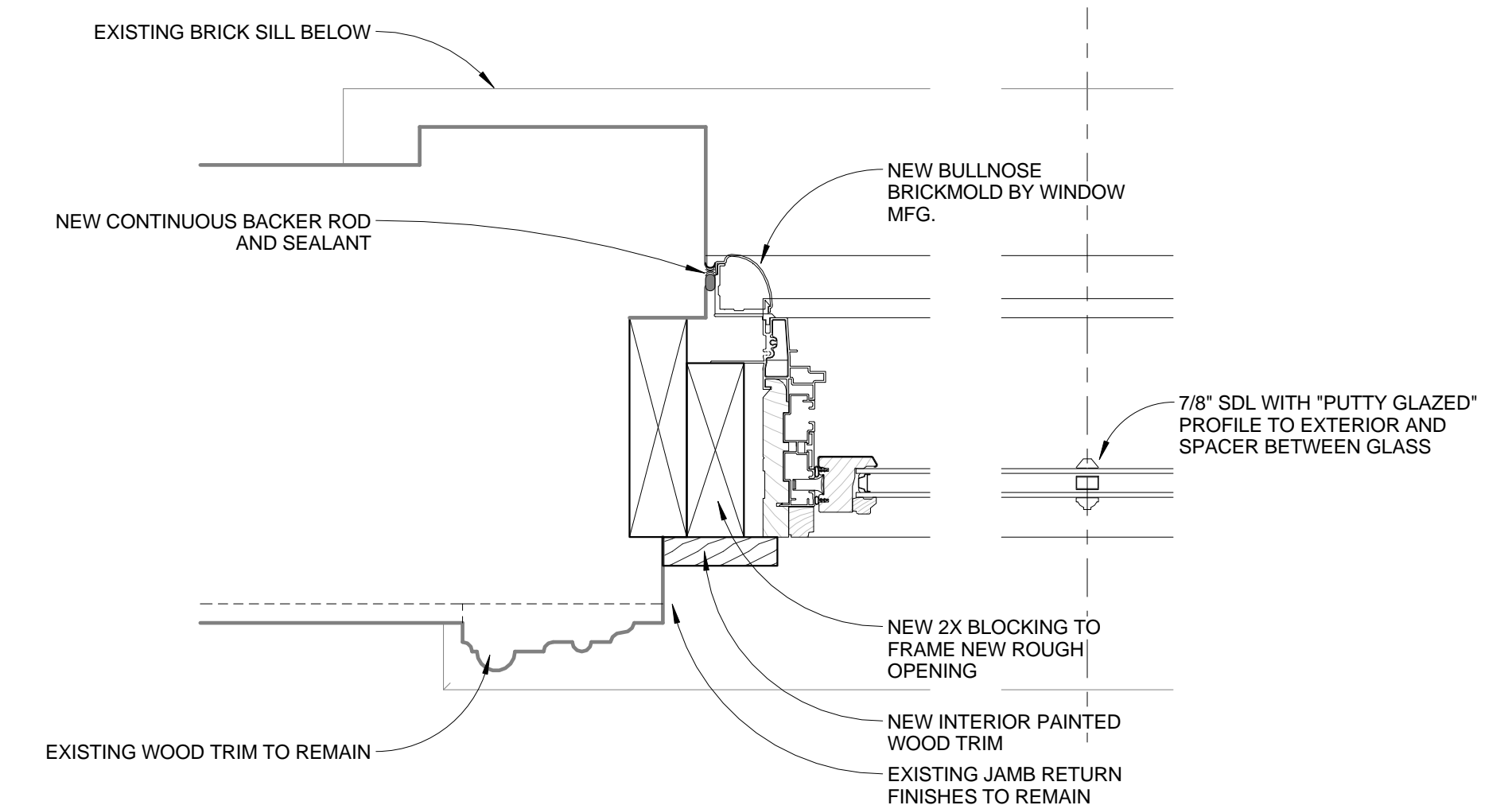


3 ARCH WINDOW DETAILS
 1" = 1'-0"



GENERAL NOTES:

1. REMOVE EXISTING STORM WINDOWS AND ORIGINAL WOOD WINDOWS INCLUDING FULL FRAME AND WEIGHT POCKETS. REPLACE WITH CUSTOM ALUMINUM-CLAD WOOD ARCH-TOP WINDOWS TO MATCH EXISTING SIGHTLINES AS CLOSELY AS POSSIBLE, SIMULATED DIVIDED LIGHTS AND BRICKMOLD.
2. GC TO VERIFY ALL DIMENSIONS IN THE FIELD AND COORDINATE NEW WINDOW SIZES ACCORDINGLY.



4 ARCH WINDOW - JAMB
 3" = 1'-0"