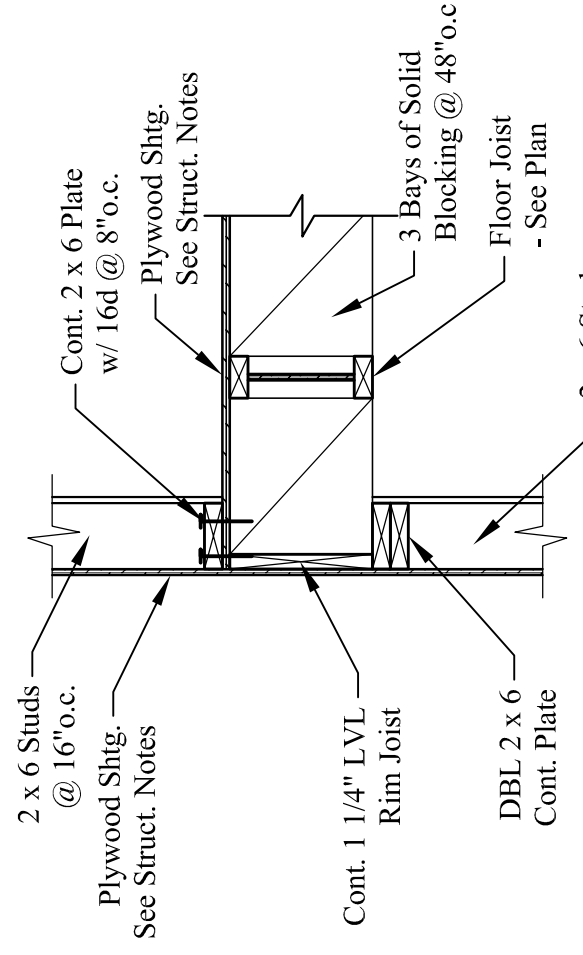
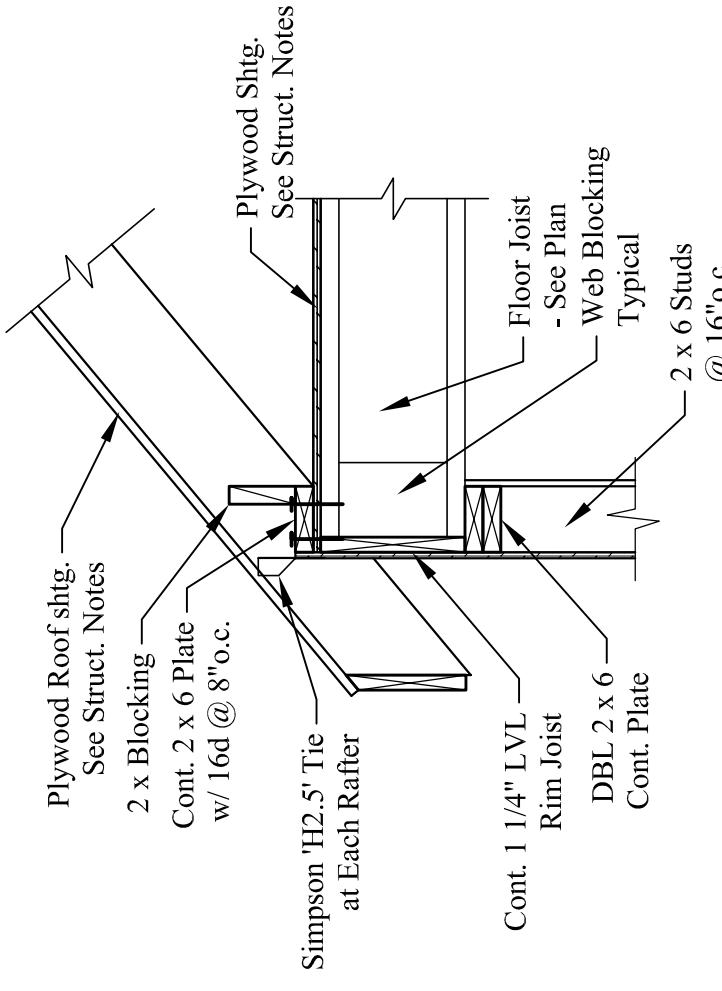


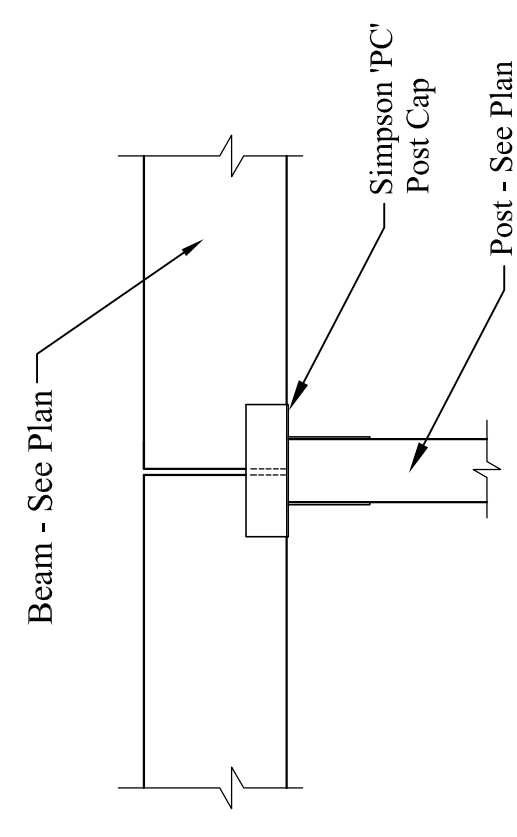
1 JOIST TO STUD WALL CONN.
 Scale: 3/4" = 1'-0"



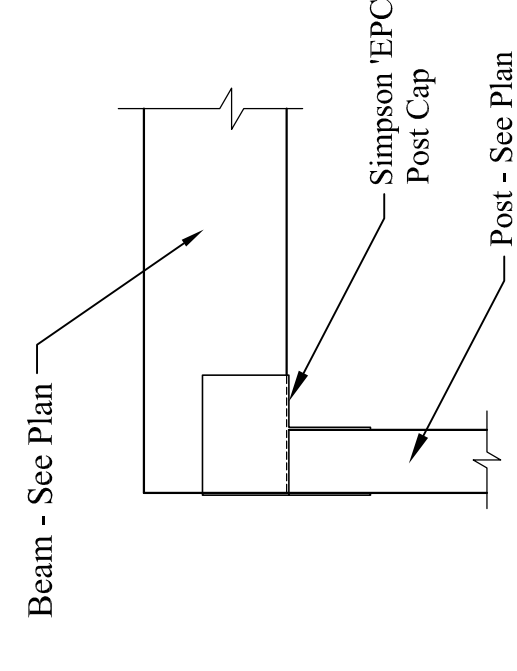
2 JOIST PARALLEL TO WALL CONN.
 Scale: 3/4" = 1'-0"



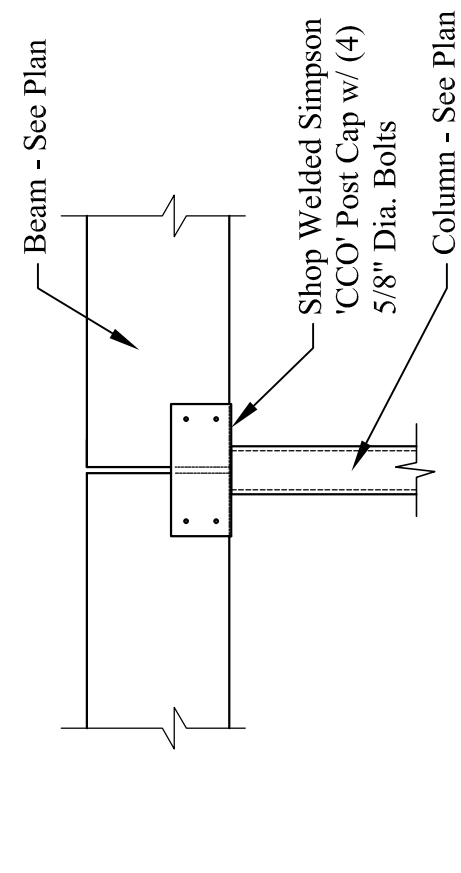
3 JOIST TO WOOD BEAM CONN.
 Scale: 3/4" = 1'-0"



4 WOOD BM. TO WOOD POST CONN.
 Scale: 3/4" = 1'-0"



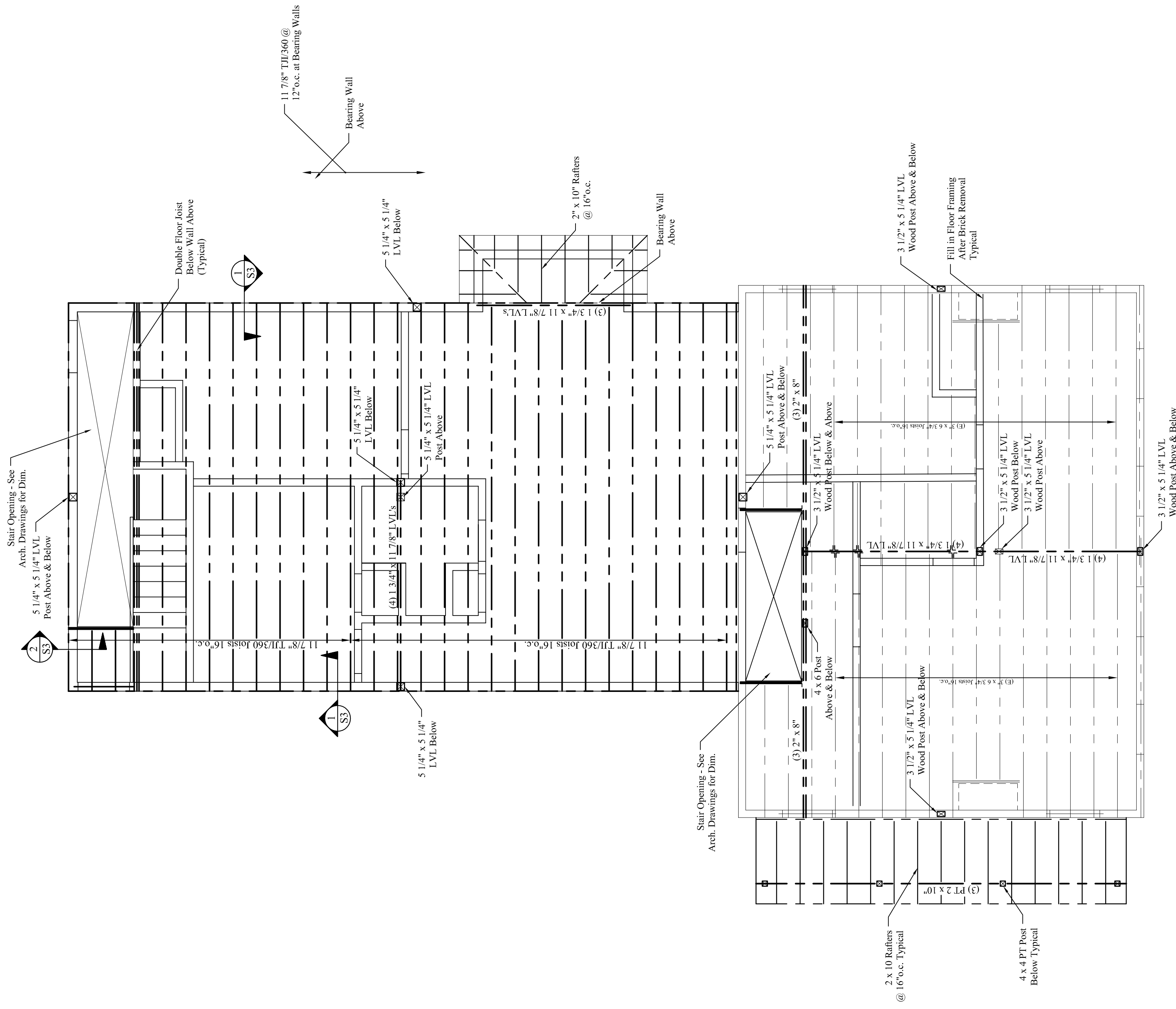
5 WOOD BM. TO STUD WALL CONN.
 Scale: 3/4" = 1'-0"



6 JOIST TO STUD WALL CONN.
 Scale: 3/4" = 1'-0"



7 WOOD BM. TO STEEL POST CONN.
 Scale: 3/4" = 1'-0"



NOTE: Existing floor framing sizes and spacing could not be verified during design. Framing show are minimum sizes required. Consult with structural engineer if framing does not meet framing shown.

- FLOOR FRAMING NOTES:
- See Structural Notes, Sheet S-1.
 - Provide 3/4" gap between joists and bearing walls shall be applied w/ 3 rows of 16d nails @ 12" o.c.
 - Provide double joists below all upper parallel walls.
 - Provide double joists below all upper parallel walls.
 - Provide solid blocking at mid-span of floor joists.
 - See architectural drawings for wall layout and dimensions.
 - Provide (2) 1/2" x 9/8" LVL header w/ 2" rigid insulation between over all exterior door and window openings unless noted on plan.
 - Leave 3/8" gap between top of all beams girders and bottom of floor sheathing for construction.
 - Add solid blocking between floor joists below all posts.

2nd FLOOR FRAMING PLAN

Scale: 1/4" = 1'-0"