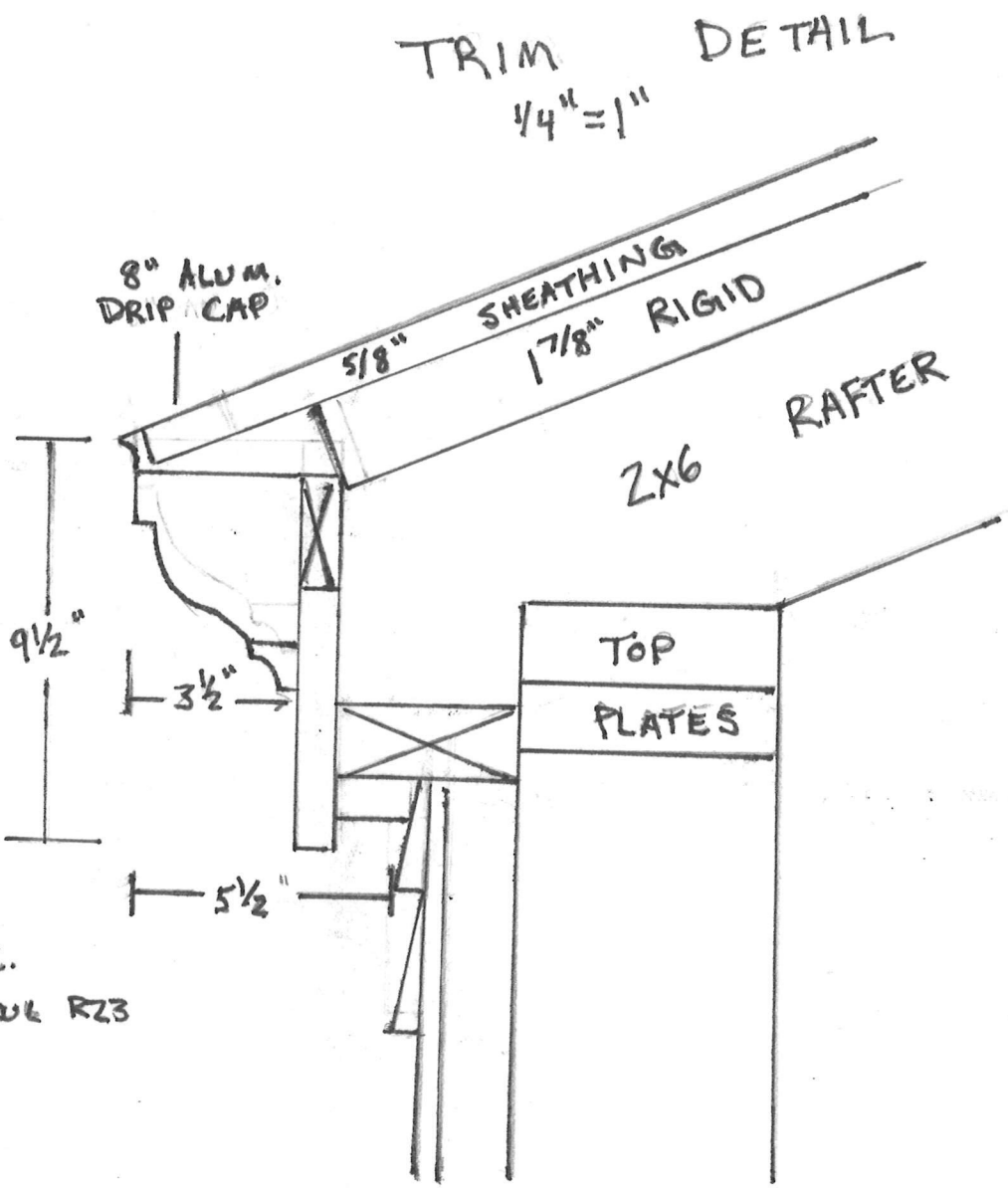
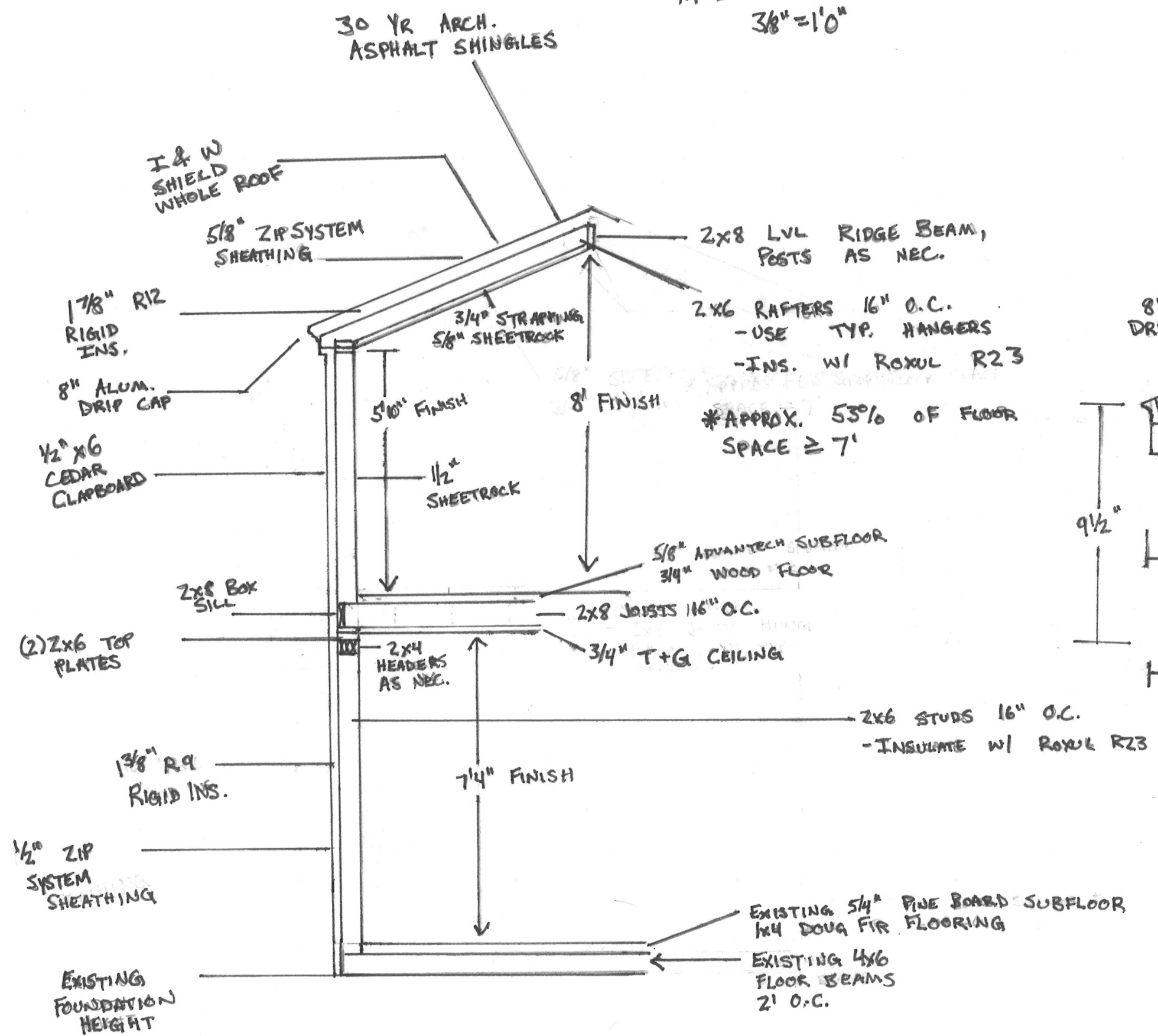


113 WINTER ST. #2

MUD ROOM + 2ND FLOOR BATH SECTION
 3/8" = 1'0"



TRIM DETAIL
 1/4" = 1"