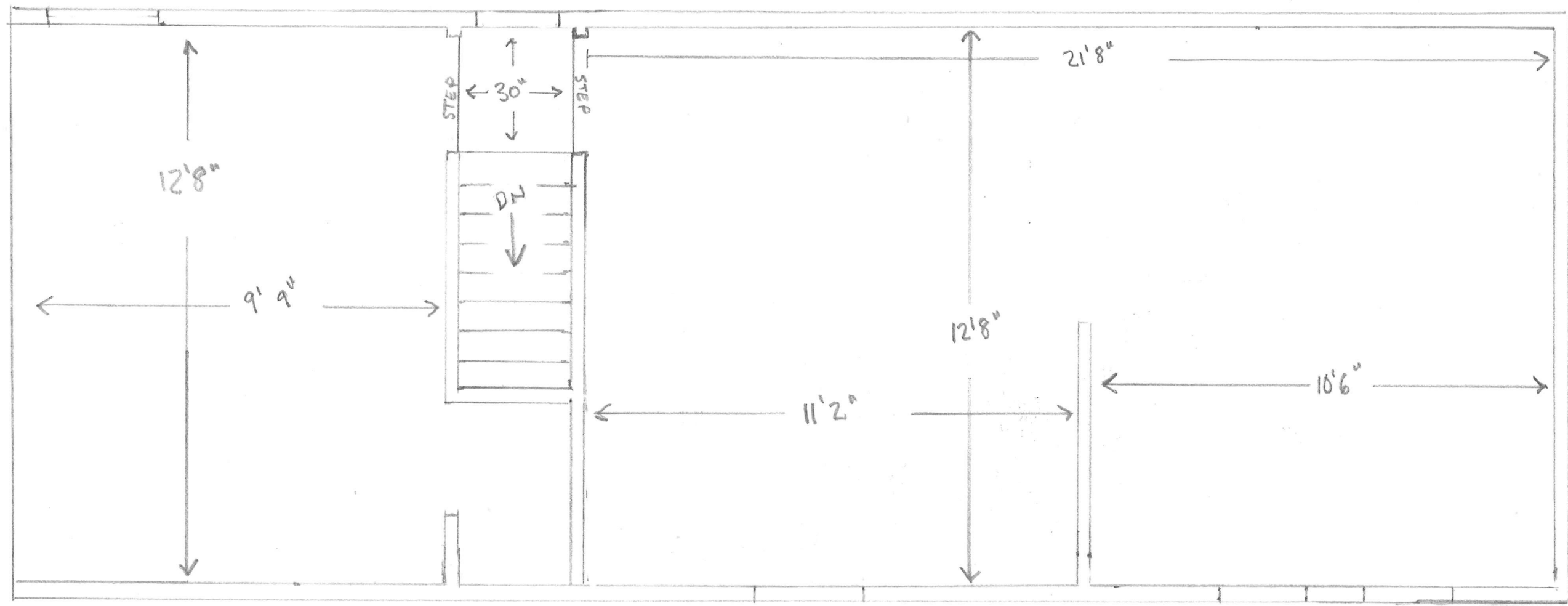


NORTH WALL = 67" FINISH FLR TO CEILING; 3/12 ROOF PITCH



SOUTH WALL =
35" FINISH FLR
TO CEILING; 10/12
ROOF PITCH

113 WINTER ST #2
EXISTING SECOND FLOOR
3/8" = 1'0"

WALL HEIGHT =
64" FLOOR TO CEILING;
3/12 ROOF PITCH