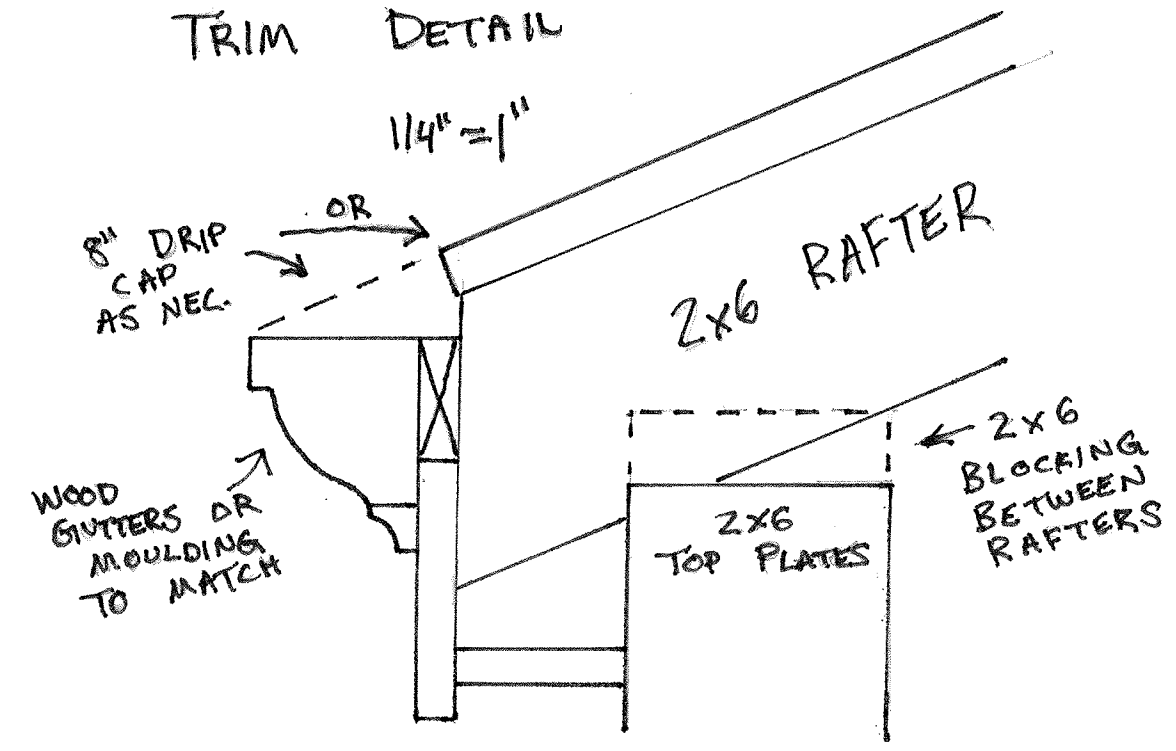
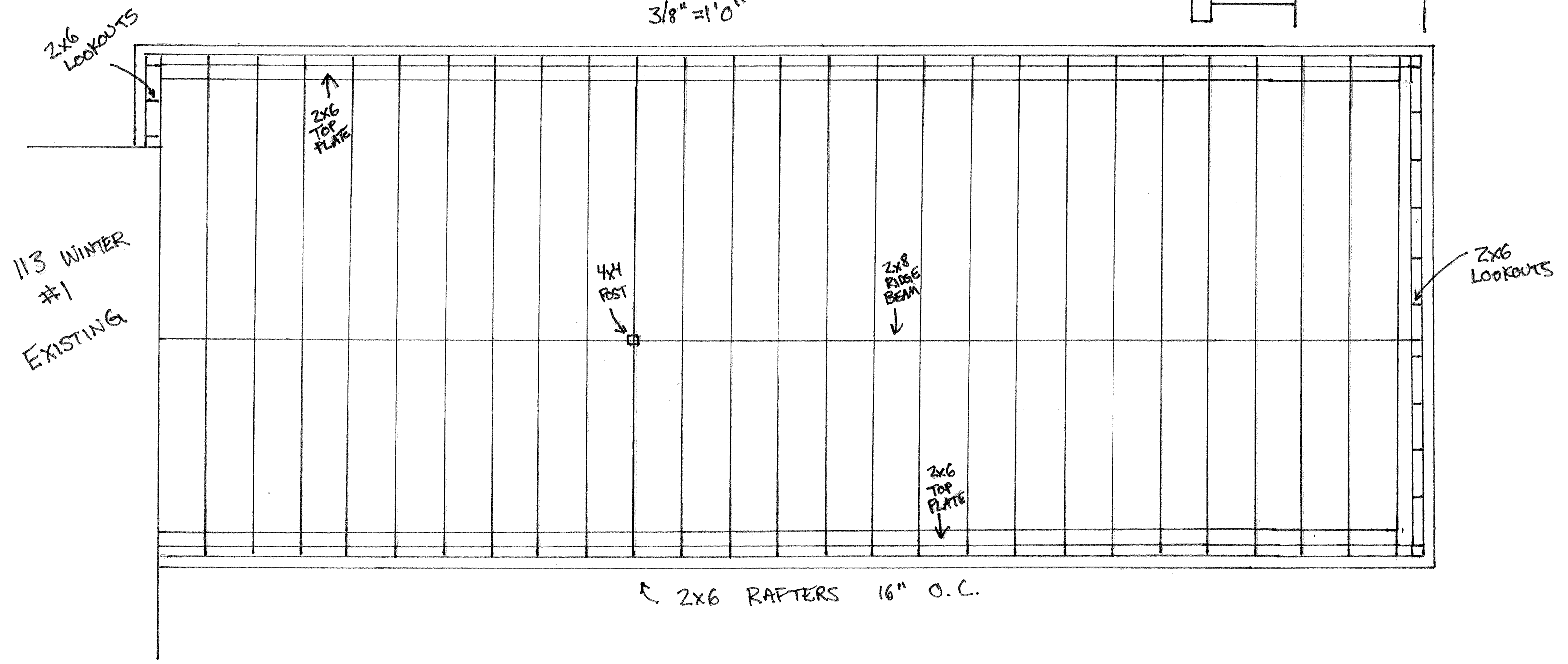


113 WINTER ST. #2  
ROOF FRAMING

TRIM DETAIL



3/8" = 1'0"



113 WINTER #1 EXISTING