

**SYMBOL LEGEND**

- 2x2 SUSPENDED CEILING PANEL AND GRID ASSEMBLY.
- 2x4 SUSPENDED CEILING PANEL AND GRID ASSEMBLY.
- GWB CEILING.
- 2x4 LAY-IN LIGHT FIXTURE.
- 1x4 PENDANT LIGHT FIXTURE.
- DOWN LIGHT.
- CEILING MOUNTED EXIT LIGHT.
- RETURN AIR GRILLE.
- SUPPLY AIR GRILLE.
- EXHAUST AIR GRILLE.

**REFLECTED CEILING NOTES**

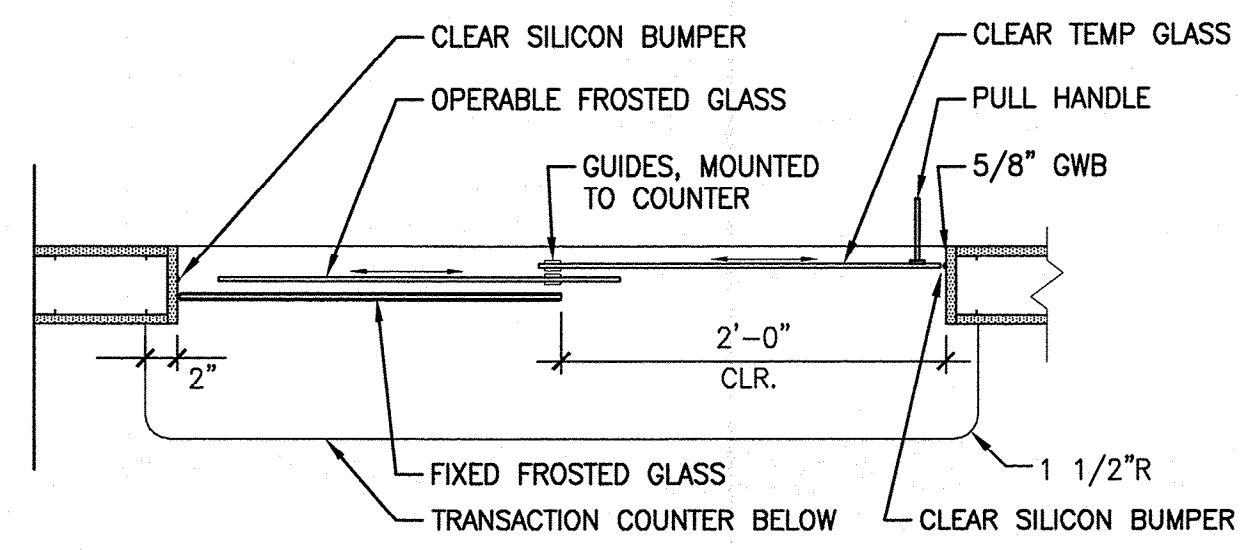
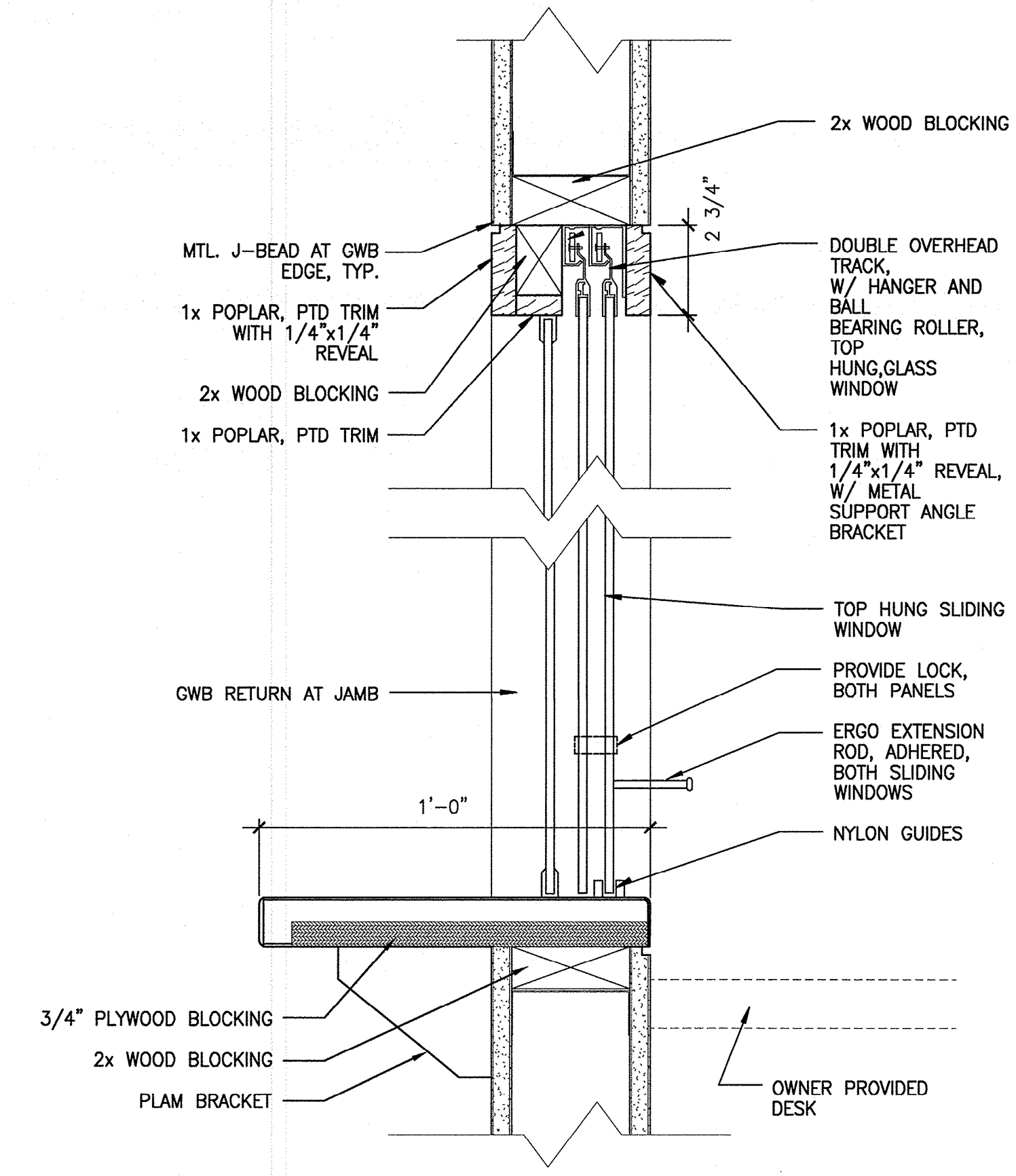
1. ALIGN CEILING ITEMS AS SHOWN, WITH COMMON CENTERLINES, TYPICALLY. CENTER ITEMS IN CEILINGS, OR IN AREAS UNLESS INDICATED OTHERWISE.
2. MATCH EXISTING CEILING HEIGHTS.
3. EXCEPT WHERE INDICATED, CENTER CEILING GRIDS IN ROOMS. USE HALF TILES OR GREATER @ PERIMETERS AS POSSIBLE.
4. PROVIDE ACCESS PANELS AS REQUIRED IN GWB CEILINGS FOR ACCESS TO MECHANICAL VALVES/ CONTROLS. REFERENCE MECHANICAL.

**KEYED NOTES:**

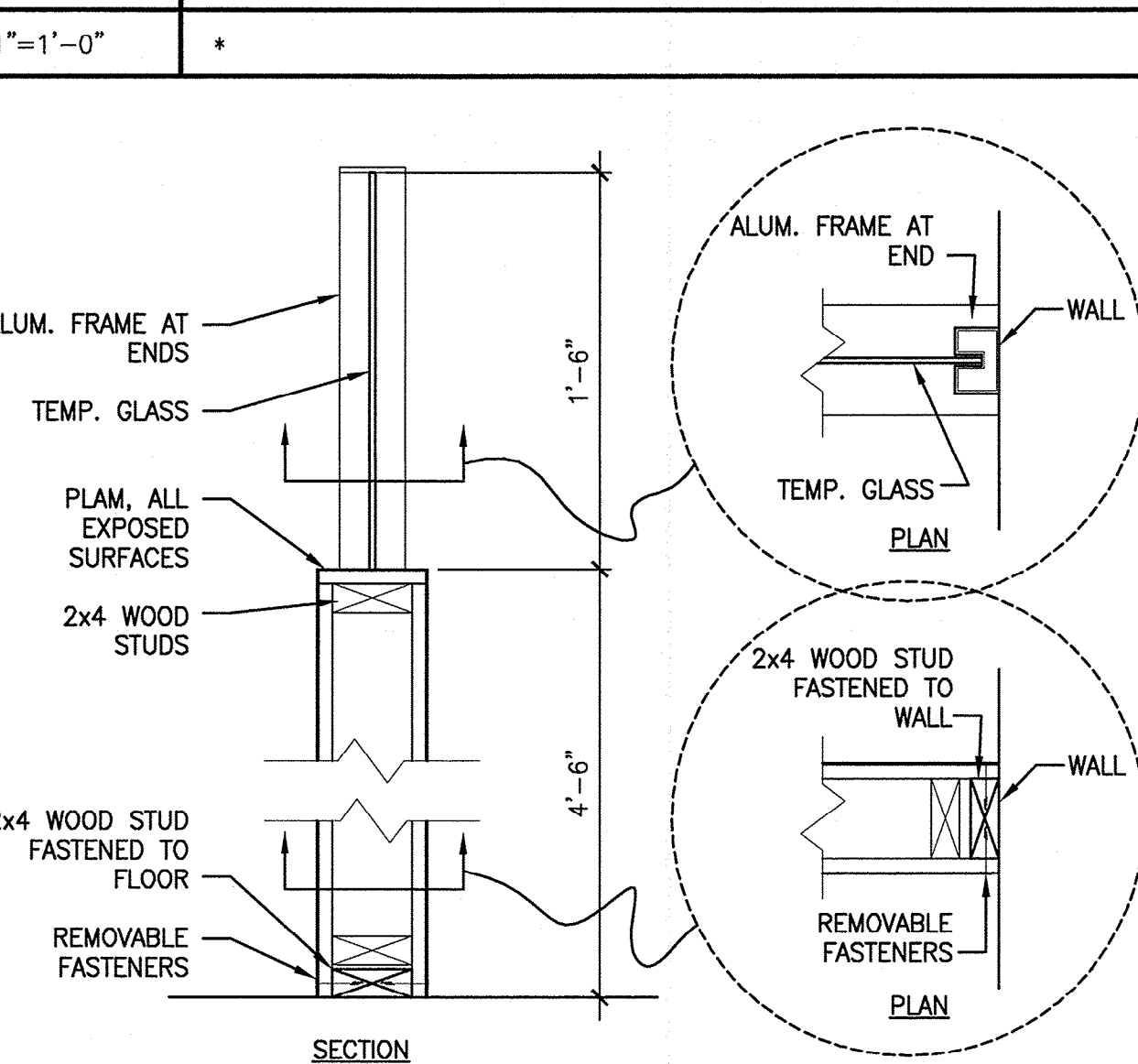
- 1 EXISTING CEILING TO REMAIN.
- 2 NA
- 3 EXISTING GWB SOFFIT TO REMAIN, PTD

**TRANSACTION WINDOWS**

1. OVERHEAD TRACKS: ALUMINUM, OPEN DOUBLE OVERHEAD TRACK FOR PASS-THRU WINDOWS.
  - a. PRODUCT: C. R. LAURENCE CO., INC.; CRL D9A "MASTEROLL" TRACK SYSTEM, SATIN ANODIZED.
2. HANGERS: ALUMINUM, FRONT-MOUNTED.
  - a. PRODUCT: C. R. LAURENCE CO., INC.; CRL D28A "MASTEROLL" TRACK SYSTEM, SATIN ANODIZED.
3. ROLLERS: FLAT NYLON BALL BEARING ROLLER, 7/8-INCH DIAMETER, WITH SCREW STUD.
  - a. PRODUCT: C. R. LAURENCE CO., INC.; CRL D679 "MASTEROLL" TRACK SYSTEM.
4. BOTTOM CHANNELS: ALUMINUM, UNIVERSAL FRAMING EXTRUSIONS FOR GLAZING.
  - a. PRODUCT: C. R. LAURENCE CO., INC.; CRL D623A.
5. GUIDES: NYLON, LOWER GUIDES TO KEEP SLIDING PANELS VERTICAL AND PREVENT LIFT-OUT.
  - a. PRODUCT: C. R. LAURENCE CO., INC.; CRL D30.
6. LOCKS: UNIVERSAL PLUNGER LOCK, WITH KEYS.
  - a. PRODUCT: C. R. LAURENCE CO., INC.; CRL D802C
7. PULL HANDLES: ERGONOMIC POLYSTYRENE EXTENSION PULL, 6 INCH LENGTH.
  - a. PRODUCT: ERGO PROS; "ERGOGLIDE" ([WWW.ERGOPRO.COM](http://WWW.ERGOPRO.COM))
  - b. COLOR: AS SELECTED BY ARCHITECT FROM MANUFACTURER'S FULL RANGE.



**D5 SECTION**



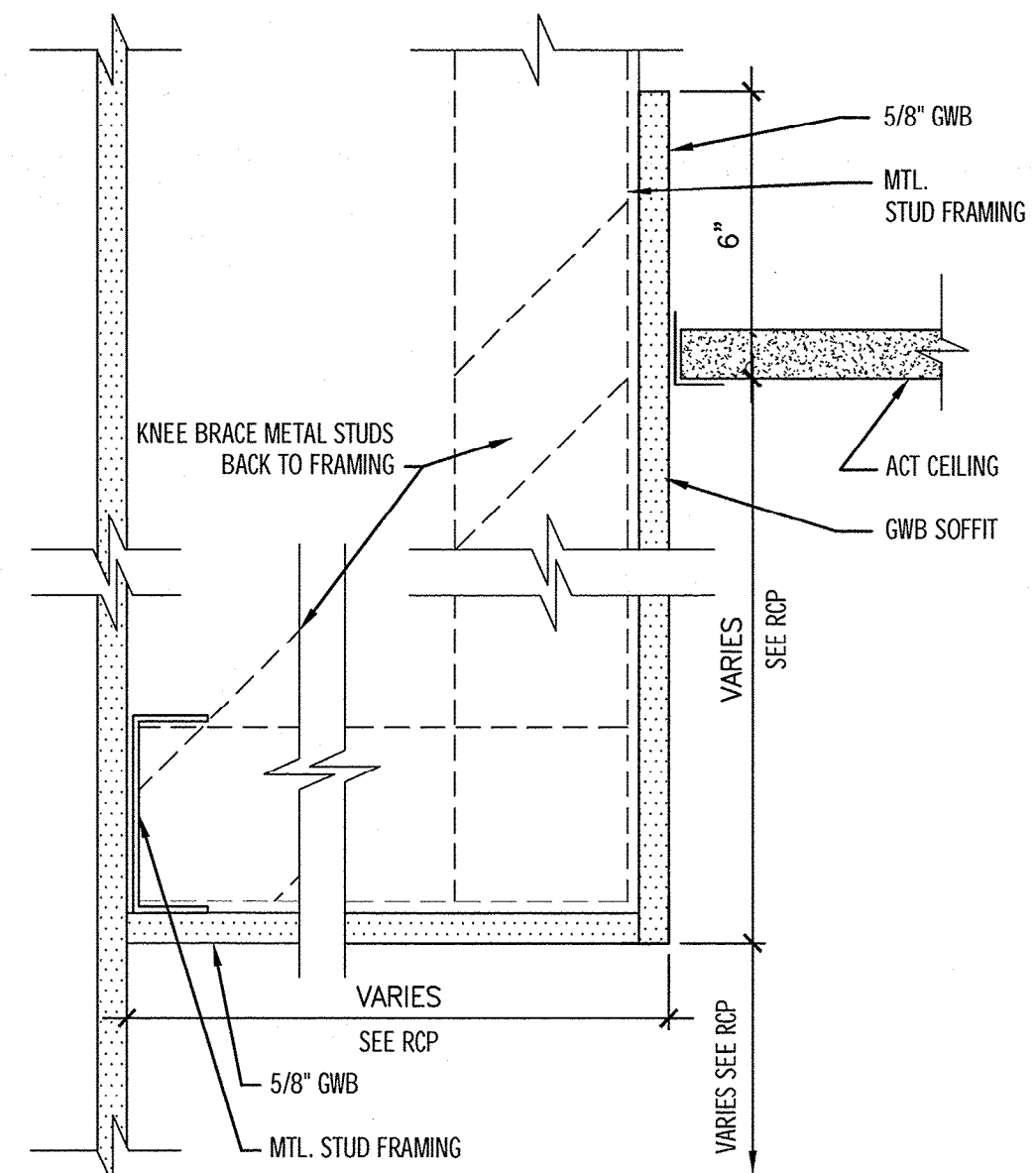
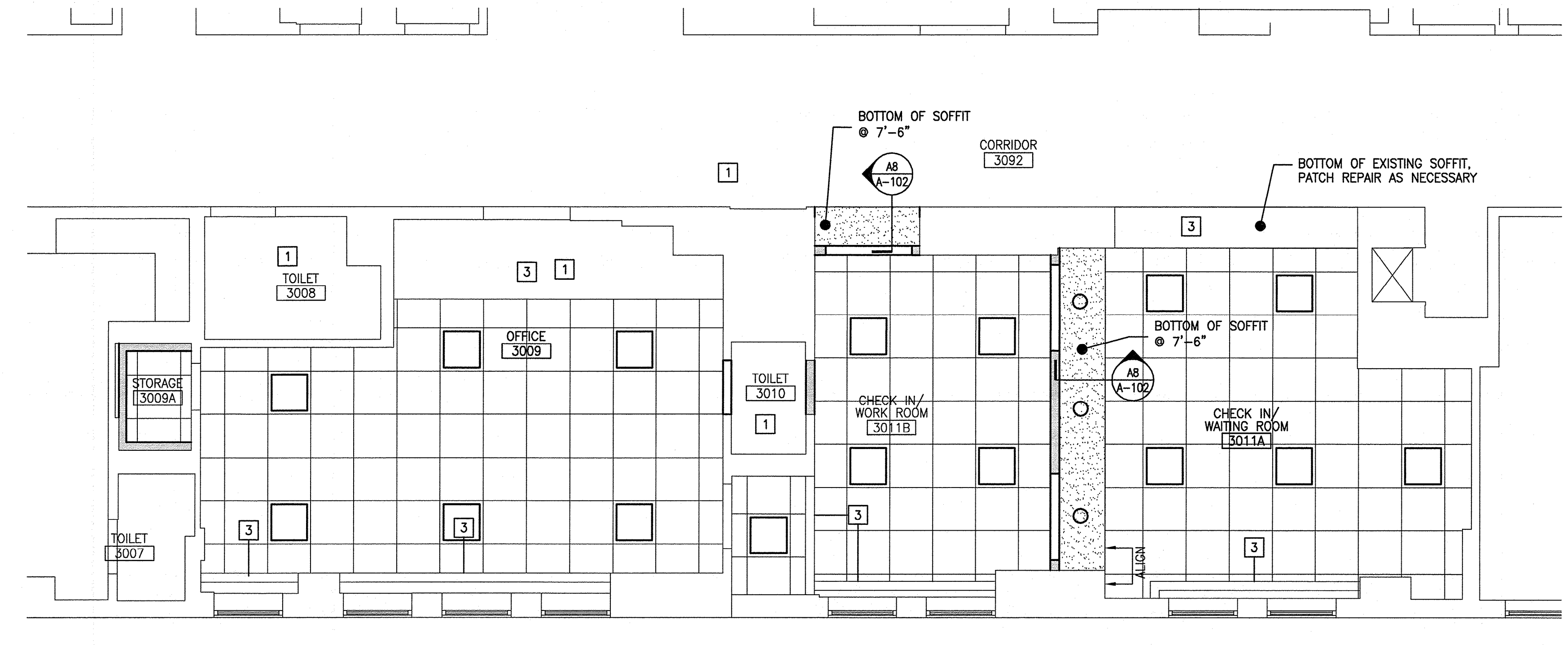
**A5 DIVIDER WALL DETAIL**

**A1 TRANSACTION WINDOW DETAIL**

3"=1'-0" \* 1 1/2"=1'-0" \*

**F6 REFLECTED CEILING PLAN**

1/4"=1'-0" \*

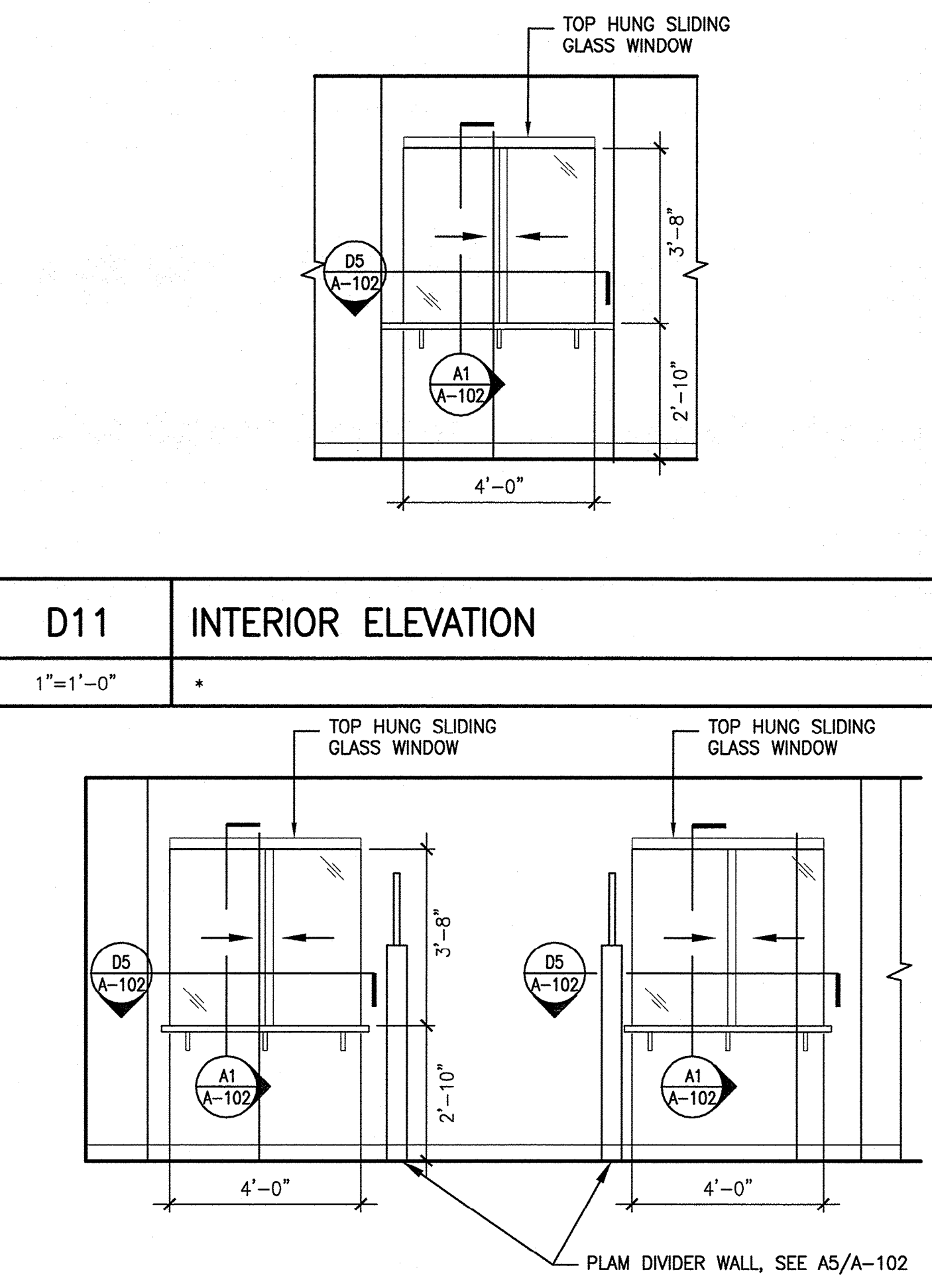


**A8 SOFFIT DETAIL**

3"=1'-0" \*

**D11 INTERIOR ELEVATION**

1"=1'-0" \*



**A11 INTERIOR ELEVATION**

3/8"=1'-0" \*

144 Fore Street, P.O. Box 618  
Portland, Maine 04104  
tel. (207) 772-3846  
fax. (207) 772-1070  
www.smrtinc.com

**SMRT**  
ARCHITECTURE  
ENGINEERING  
PLANNING  
INTERIORS  
ENERGY

REGISTERED ARCHITECT  
KRISTEN L. DAMUTH  
No. 2786  
STATE OF MAINE  
29 SEP 17

PROJECT NORTH:  
MAC NORTH PROJECT NORTH

**MERCY HOSPITAL  
3S PULMONARY RENOVATIONS**  
STATE STREET - PORTLAND, MAINE

**ISSUED FOR CONSTRUCTION  
9-29-14**

CURRENT ISSUE STATUS:

REV	ISSUED FOR CONSTRUCTION	DESCRIPTION	DATE
0			9-29-14

GRAPHIC SCALE:  
0" 1"

SCALE: 1/4"=1'-0"  
PROJECT MANAGER: KD  
JCD/DRAWN BY: MDR /MDR  
A/E OF RECORD: KD  
PROJECT NO: 14087  
SMRT FILE: A-102-14087  
DATE: 9-29-14

SHEET TITLE:  
**RCP, INTERIOR  
ELEVATION  
AND DETAILS**

SHEET No.  
**A-102**

© COPYRIGHT 2014 SMRT INC.