

FINISH SCHEDULE									
ROOM NUMBER	ROOM NAME	FLOOR	BASE	WALLS				CEILING	
				NORTH	SOUTH	EAST	WEST	MATERIAL	HEIGHT
4059	PATIENT ROOM	SV-1	RB-2	PTD-3	PTD-3	PTD-3	PTD-3	ACT-1	EXIST
4060	TOILET	EXIST	EXIST	PTD-3	PTD-3	PTD-3	PTD-3	EXIST	EXIST
4061	PATIENT ROOM	SV-1	RB-2	PTD-4	PTD-4	PTD-4	PTD-4	ACT-1	EXIST
4062	TOILET	EXIST	EXIST	PTD-3	PTD-3	PTD-3	PTD-3	EXIST	EXIST
4096a	VESTIBULE	SV-1	RB-1	PWC-1/PTD-3	PTD-3	PTD-3	PTD-3	ACT-1	EXIST
4096	CORRIDOR	EXIST	RB-1	EXIST	EXIST	EXIST	EXIST	EXIST/PTD-3	EXIST

FINISH ABBREVIATIONS:

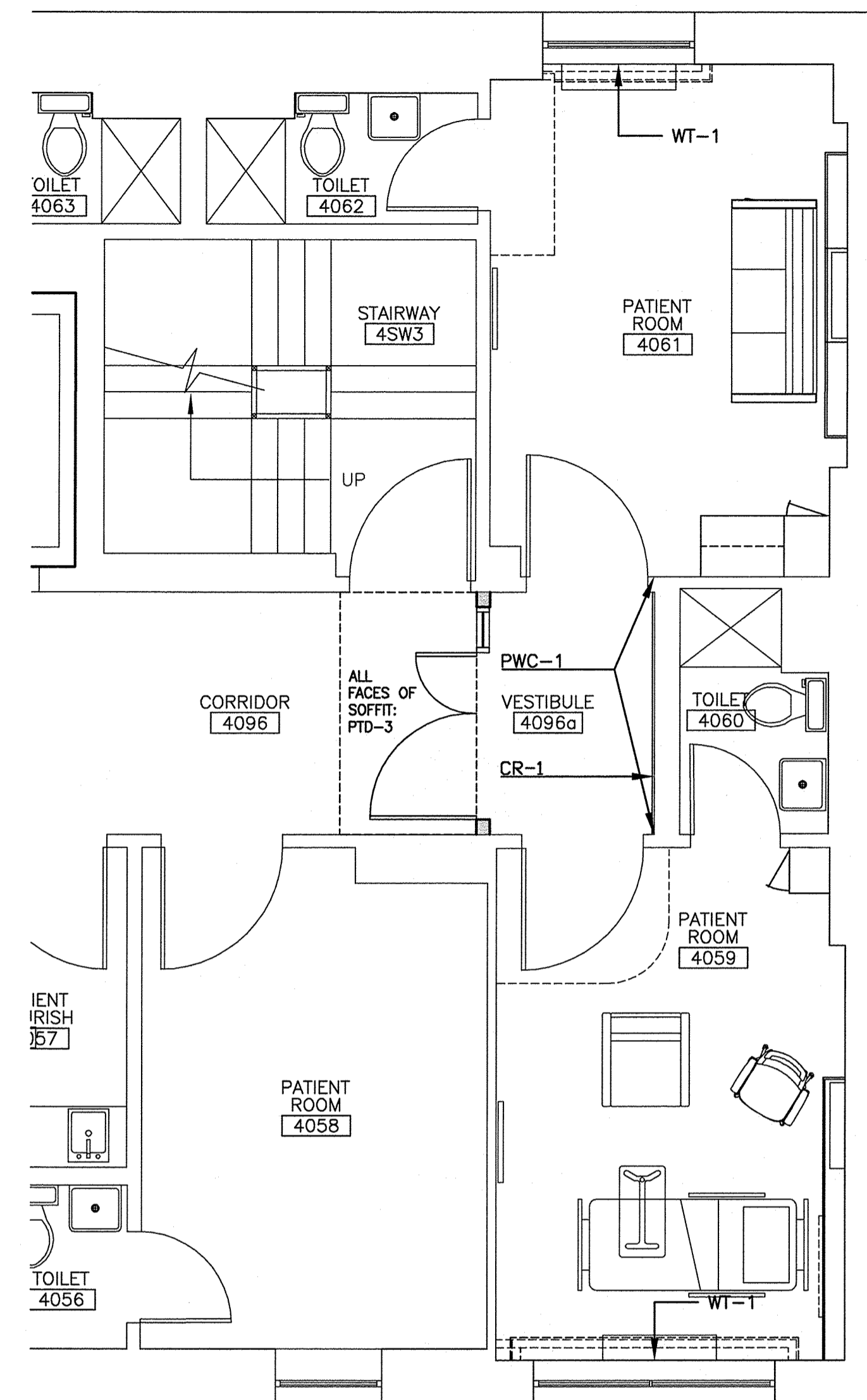
ACT	ACOUSTICAL CEILING TILE	PTD	PAINTED
CPT	CARPET	RB	RUBBER BASE
CR	CHAIR RAIL	SSM	SOLID SURFACE MATERIAL
EXIST	EXISTING TO REMAIN	SV	SHEET VINYL FLOORING
EXP	EXPOSED STRUCTURE	VCT	VINYL COMPOSITION TILE
GWB	GYPSUM WALLBOARD	WD	WOOD
PLAM	PLASTIC LAMINATE		

FINISH LEGEND:

- ACOUSTIC CEILING TILE**
 ACT-1 ARMSTRONG, ULTIMA TEGULAR 24"x24". 15/16" GRID.
- BUMPER RAIL**
 BR-1 KOROSEAL, KOROGARD C770 CRASH RAIL. HONEY MAPLE. HAIRCELL TEXTURE.
- CHAIR RAIL**
 CR-1 MAPLE, STAINED TO MATCH PLAM-2. 3/4" X 4-1/2". TOP OF CHAIR RAIL TO BE 34" AFF. REFER TO DETAIL A13.
- PAINT**
 PTD-1 BENJAMIN MOORE, WHITE DOVE 1-06
 PTD-2 BENJAMIN MOORE, NOVEMBER RAIN 2142-60
 PTD-3 BENJAMIN MOORE, WYTHE BLUE HC-143
 PTD-4 BENJAMIN MOORE, ROSEMARY SPRIG 2144-30
- PLASTIC LAMINATE**
 PLAM-1 PIONITE, OATMEAL FIBER AT101. PVC EDGE BAND: DOELLKEN WOODTAPE #2114 ALMOND
 PLAM-2 PIONITE, HONEY MAPLE WM951. GRAIN TO RUN VERTICAL. PVC EDGE BAND: DOELLKEN WOODTAPE #4557 ANIGRE
- RESILIENT BASE**
 RB-1 MATCH EXISTING
 RB-2 JOHNSONITE 4" TRADITIONAL WALL BASE. COLOR: 09 CLAY
- SHEET VINYL**
 SV-1 ARMSTRONG REJUVENATIONS, TIMBERLINE. RUSTIC BEECH, COLOR: "LIFE IS A" #37347. HEAT WELD SEAMS, ROD TO MATCH FLOORING.
- WALL PROTECTION**
 PWC-1 KOROSEAL, KOROGARD, MEADOW. HAIRCELL TEXTURE. HEIGHT: 32" AFF.
- WINDOW TREATMENTS**
 WT-1 MECHOSHADE OR EQUAL, DOUBLE MANUAL SHADE (5% OPEN/SOLID VINYL) 5% OPEN: 1300 SERIES COLOR: EGGSHELL #1316. SOLID VINYL: STANDARD BLACKOUT SHADECLOTH 0700 SERIES, #0701 WHITE.

FINISH NOTES:

- REFER TO ELEVATIONS FOR LOCATIONS OF PLASTIC LAMINATE.
- PROVIDE WINDOW TREATMENTS WT-1 IN 4059 AND 4061. REFER TO FINISH PLAN FOR LOCATIONS.
- WINDOW VALANCES TO BE PAINTED WOOD, PTD-2.
- REFER TO FINISH PLAN FOR ADDITIONAL INFORMATION REGARDING LOCATIONS OF FINISH MATERIALS AND DIRECTION OF FLOORING MATERIAL.
- CONTRACTOR TO PERFORM ALKALINITY AND ADHESION TESTS (ASTM F 1869 & 2170) RECOMMENDED BY FLOORING MANUFACTURER FOR EACH TYPE OF FLOORING. PROCEED WITH INSTALLATION ONLY AFTER SUBSTRATES PASS TESTING. VERIFY RESULTS WITH FLOORING MANUFACTURER. CONTRACTOR TO CARRY ALLOWANCE FOR TOPICAL TREATMENT IF REQUIRED, KOESTER OR EQUAL.

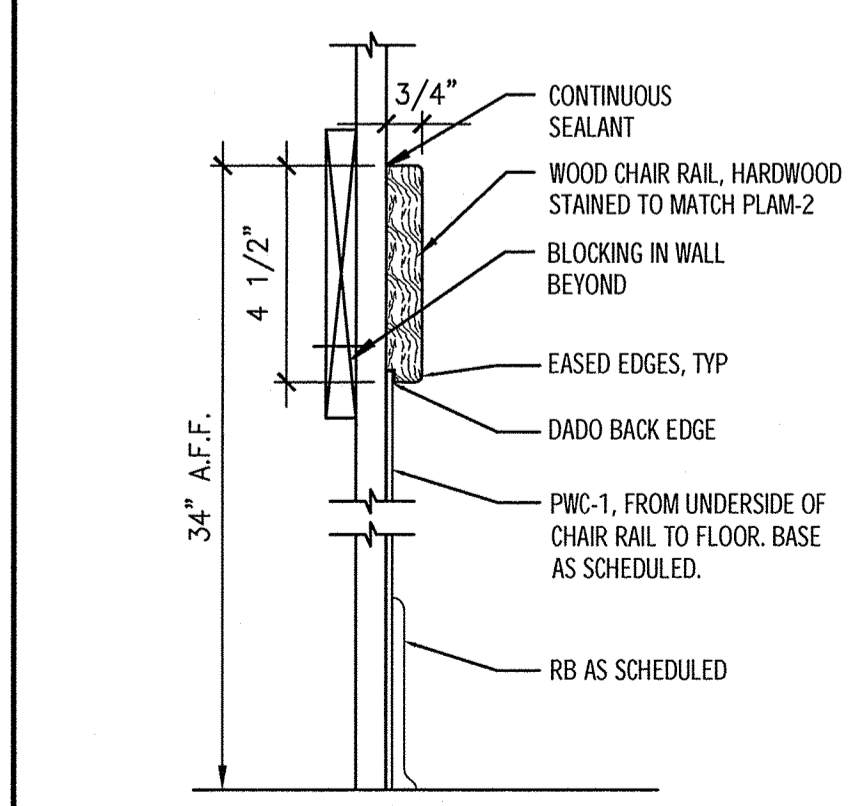


D11 FINISH PLAN

1/4"=1'-0" *

A10 *

* *

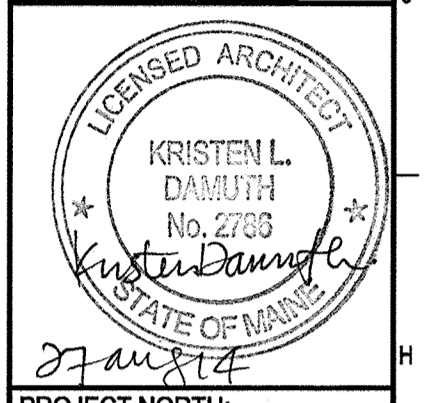


A13 CHAIR RAIL DETAIL

3"=1'-0" *

144 Fore Street, P.O. Box 818
 Portland, Maine 04104
 Tel: (207) 772-3846
 Fax: (207) 772-1070
 www.smartinc.com

ARCHITECTURE
 ENGINEERING
 PLANNING
 INTERIORS
 ENERGY



PROJECT NORTH:

MERCY HOSPITAL
 4N TYLER SUITE RENOVATIONS
 STATE STREET - PORTLAND, MAINE

ISSUED FOR CONSTRUCTION
 8-27-14

CURRENT ISSUE STATUS:

REV	DESCRIPTION	DATE
0	ISSUED FOR CONSTRUCTION	8-27-14

GRAPHIC SCALE:

SCALE: 1/4"=1'-0"

PROJECT MANAGER: KD
 JC/DRAWN BY: MDR /MDR
 A/E OF RECORD: KD
 PROJECT NO: 14108
 SMRT FILE: ID-101-14108
 DATE: 8-27-14

SHEET TITLE:
 FINISH PLAN
 AND MISC.
 DETAILS

SHEET No.
 ID-101