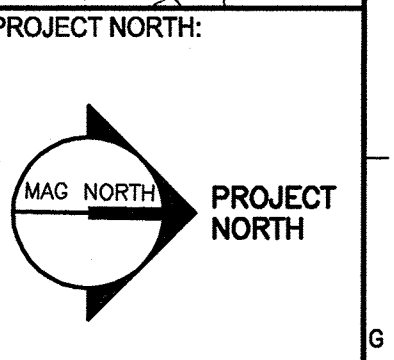
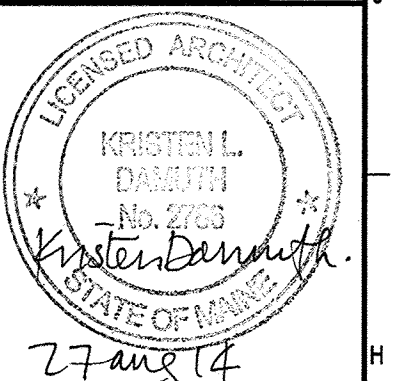


# MERCY HOSPITAL STATE ST. - 4 NORTH TYLER SUITE RENOVATIONS PORTLAND, MAINE

144 Fern Street, P.O. Box 818  
Portland, Maine 04108  
Tel. (207) 772-8846  
Fax. (207) 772-0770  
www.smartinc.com

ARCHITECTURE  
ENGINEERING  
PLANNING  
INTERIORS  
ENERGY

**SMART**



MERCY HOSPITAL  
4N TYLER SUITE RENOVATIONS  
STATE STREET - PORTLAND, MAINE

ISSUED FOR CONSTRUCTION  
8-27-14

CURRENT ISSUE STATUS:

REV	DATE	DESCRIPTION
0	8-27-14	ISSUED FOR CONSTRUCTION

GRAPHIC SCALE:  
0" 1"

SCALE: 1/4"=1'-0"

PROJECT MANAGER: KD  
JC/DRAWN BY: MDR /MDR  
A/E OF RECORD: KD  
PROJECT NO: 14108  
SMART FILE: G1001-14108  
DATE: 8-27-14

SHEET TITLE:  
**COVER SHEET**

SHEET No.  
**G1001**

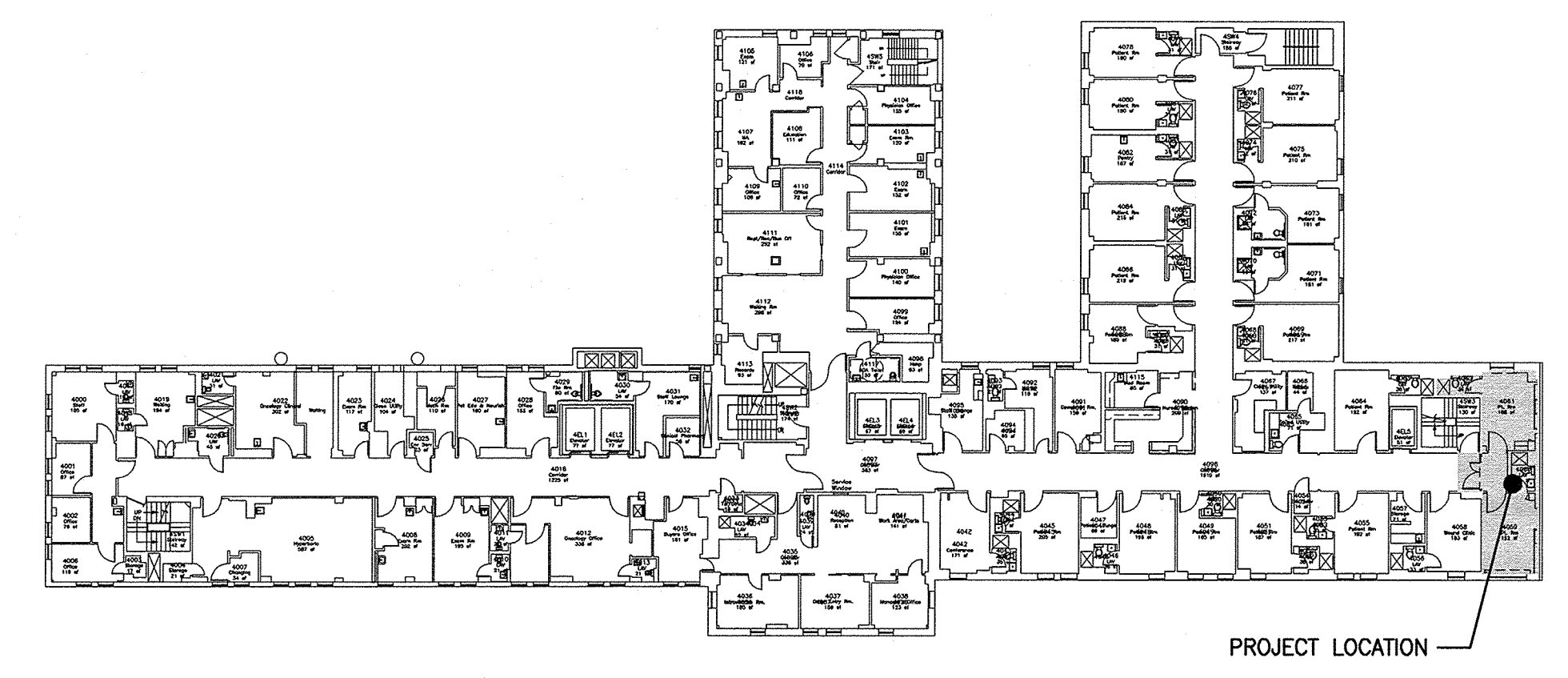
© COPYRIGHT 2014 SMART INC

A/C	AIR CONDITIONING	N	NOSING
ACPLAS	ACOUSTICAL PLASTER	NS	NOT IN CONTRACT
ACT	ACOUSTIC CEILING TILE	NTS	NEAR SIDE
AFF	ABOVE FINISHED FLOOR	OC	ON CENTER
AP	ACCESS PANEL	OF	OUTSIDE FACE
BCE	BOTTOM CHORD EXTENSION	OH	OVERHEAD
BD	BOARD	PA	PUBLIC ADDRESS
BLP	BORROWED LIGHT PANEL	PAF	POWDER-ACTUATED FASTENER
BO	BOTTOM OF	PL	PLATE
BOF	BOTTOM OF FOOTING	PLAM	PLASTIC LAMINATE
BOS	BOTTOM OF STEEL	PLF	POUNDS PER LINEAR FOOT
BS	BOTH SIDES	PP	POWER PANEL
BSE	BSBRICK SHELF ELEVATION	PSF	POUNDS PER SQUARE FOOT
C	CHANNEL	PSI	POUNDS PER SQUARE INCH
CB	CATCH BASIN; CHALKBOARD	PT	PRESSURE-TREATED
CFM	CUBIC FEET PER MINUTE	PVC	POLYVINYL CHLORIDE
CJ	CONTROL JOINT; CONSTRUCTION JOINT	PWP	PLASCORE WALL PANEL
CLG	CEILING	R	RISER; RADIUS
CMU	CONCRETE MASONRY UNIT	RB	RESILIENT BASE
CT	CERAMIC TILE	RD	ROOF DRAIN
CUH	CABINET UNIT HEATER	RO	ROUGH OPENING
DF	DRINKING FOUNTAIN	RR	RUB-RAIL
DR	DISPLAY RAIL	ACT	SUSPENDED ACOUSTIC
DW	DISHWASHER	ACT	TILE, CEILING
EF	EXHAUST FAN; EACH FACE	SBO	SUPPLIED BY OWNER
EJ	EXPANSION JOINT	SC	SOLID CORE
EPDM	ETHYLENE PROPYLENE DIENE MONOMER	SCHD	SCHEDULE
EW	EACH WAY	SF	SQUARE FOOT; SUPPLY FAN
EWC	ELECTRIC WATER COOLER	SK	SHEAR KEY
FB	FLAT BAR	SN	SANITARY NAPKIN (DISPENSER)
FBO	FURNISHED BY OTHERS	SP	SFACES
FCO	FLOOR CLEAN-OUT	SS	STAINLESS STEEL
FD	FLOOR DRAIN	T	TREAD
FE	FIRE EXTINGUISHER	TB	TACKBOARD
FF	FINISHED FLOOR; FAR FACE	T&B	TOP AND BOTTOM
FO	FRAMED OPENING	TBM	TEMPORARY BENCHMARK
FS	FAR SIDE	TCE	TOP CHORD EXTENSION
GB	GRAB BAR	TJ	TIE JOIST
GC	GENERAL CONTRACTOR	TO	TOP OF
GDT	GYPSUM DROP-IN TILE	TOC	TOP OF CONCRETE
GWB	GYPSUM WALL BOARD	TOF	TOP OF FOOTING
H	HORIZONTAL	TOM	TOP OF MASONRY
HC	HANDICAPPED; HOLLOW CORE	TOP	TOP OF PIER
HM	HOLLOW METAL	TOS	TOP OF STEEL; TOP OF SLAB
HRU	HEAT RECOVERY UNIT	TOW	TOP OF WALL
HT	HEIGHT	TP	TOILET PAPER (DISPENSER)
H&V	HEATING AND VENTILATING	TS	
HVAC	HEATING, VENTILATING AND AIR CONDITIONING	UH	UNIT HEATER
IF	INSIDE FACE	UNO	UNLESS NOTED OTHERWISE
IJ	ISOLATION JOINT	V	VENT PIPE; VERTICAL
INV	INVERT	VB	VAPOR BARRIER
JS	JOIST SUBSTITUTE	VCT	VINYL COMPOSITION TILE
L	ANGLE	VP	VISION PANEL
LLH	LONG LEG HORIZONTAL	VTR	VENT THROUGH THE ROOF
LLV	LONG LEG VERTICAL	W/	WITH
LP	LIGHTING PANEL; LIQUIFIED PROPANE	WC	WATER CLOSET
MB	MARKER BOARD	WF	WIDE FLANGE
MDO	MEDIUM DENSITY OVERLAY	WH	WATER HEATER
MO	MASONRY OPENING	W/O	WITHOUT
MR	MOISTURE-RESISTANT	WP	WALL PROTECTION
MUA	MAKE-UP AIR	WS	WEB STIFFENER
		WWF	WELDED WIRE FABRIC

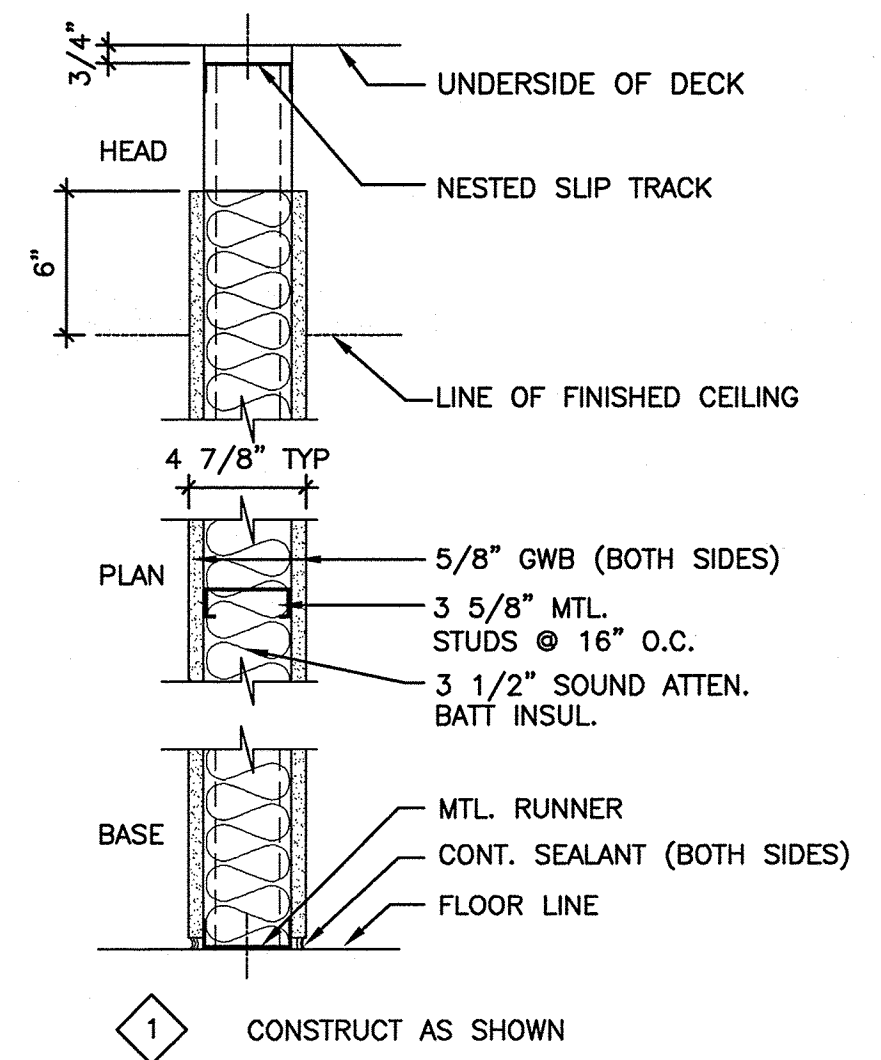
GRID LOCATION	TITLE
SCALE	REFERENCE SHEET
DRAWING TITLE BLOCK	

- BUILDING SECTION
- WALL SECTION
- DETAIL
- LEVEL LINE
- REVISION
- WINDOW TYPE
- DOOR NUMBER
- ROOM NAME
- ROOM NUMBER
- INTERIOR ELEVATION
- WALL TYPE
- BACKER ROD AND SEALANT
- EXTERIOR ELEVATION

## PROJECT LOCATION - 4th FLOOR



## PARTITION TYPES



EXISTING STUD WALL, PATCH AND REPAIR HOLES, CRACKS AND/OR ANY OTHER BLEMISH. PREPARE SUBSTRATE FOR SCHEDULED FINISH PER MANUFACTURERS WRITTEN RECOMMENDATIONS.

## DRAWING LIST

- GENERAL**
- G1001 COVER SHEET
- ARCHITECTURAL**
- A-101 PLANS
  - A-102 INTERIOR ELEVATION AND DETAILS
  - ID-101 FINISH PLANS AND MISC. DETAILS
- ELECTRICAL**
- E-001 LEGEND AND GENERAL NOTES
  - ED101 ELECTRICAL DEMOLITION PLANS
  - E-101 ELECTRICAL PLANS

## PROJECT SUMMARY:

THIS PROJECT CONSISTS OF APPROXIMATELY 570 SQUARE FEET OF RENOVATION FOR PATIENT ROOMS ON THE FOURTH FLOOR OF THE HOSPITAL. CONSISTS OF FINISH UPGRADES: FLOORING REPLACEMENT, CEILING/LIGHT REPLACEMENT AND NEW PAINT.

## APPLICABLE CODES

- FIRE:** NFPA INCLUDING 101 LIFE SAFETY CODE, 2000 AND 2009 EDITION
- BUILDING:** IBC BUILDING CODE, 2009 EDITION
- ACCESSIBILITY:** ADA, ACCESSIBILITY GUIDELINES FOR BUILDINGS AND FACILITIES 2010 EDITION.
- MECHANICAL:** 2007 ASHRAE STANDARD 90.1
- PLUMBING:** 2009 MAINE STATE PLUMBING CODE
- ELECTRICAL:** 2008 NATIONAL ELECTRIC CODE