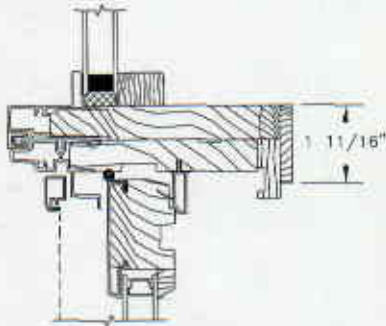


Pinnacle Series

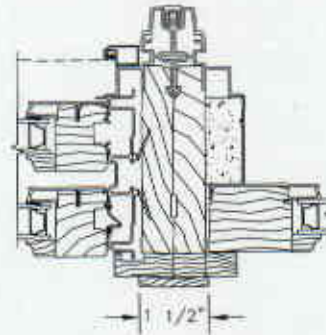
CLAD DOUBLE HUNG

SECTION DETAILS : MULLIONS

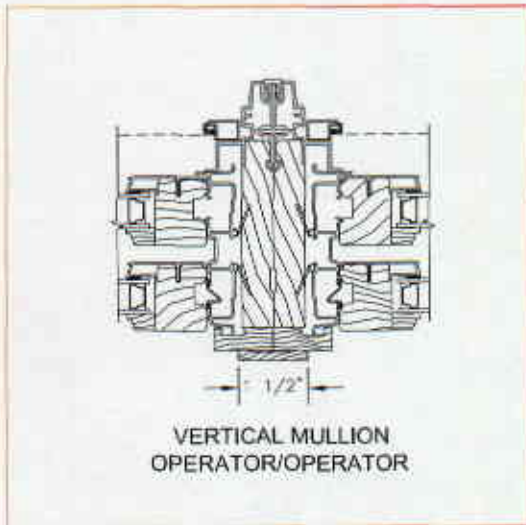
SCALE: 3" = 1'-0"



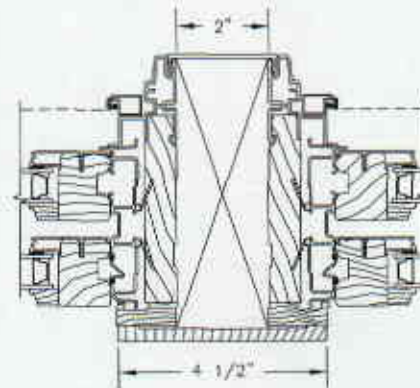
HORIZONTAL MULLION
RADIUS/OPERATOR



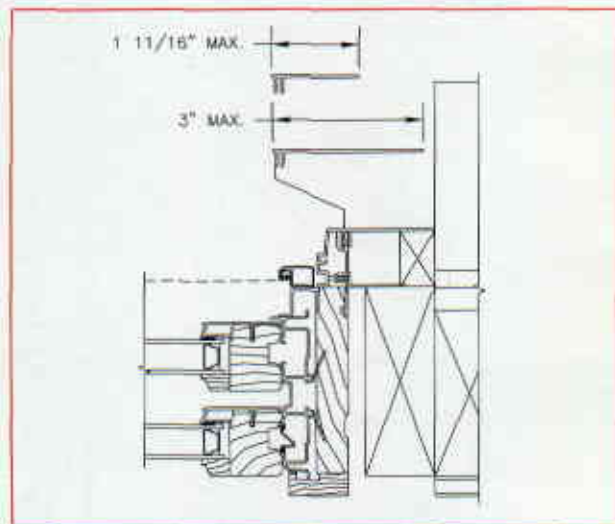
VERTICAL MULLION
OPERATOR/PICTURE



VERTICAL MULLION
OPERATOR/OPERATOR



VERTICAL MULLION WITH
2" SPREAD MULL
ADDITIONAL WIDTHS INCLUDE:
2 1/2", 4" & 6"



NOTE:
FOR INFORMATION ON STRUCTURAL MULLIONS REFER TO
THE PRODUCT PERFORMANCE AND INFORMATION SECTION.