

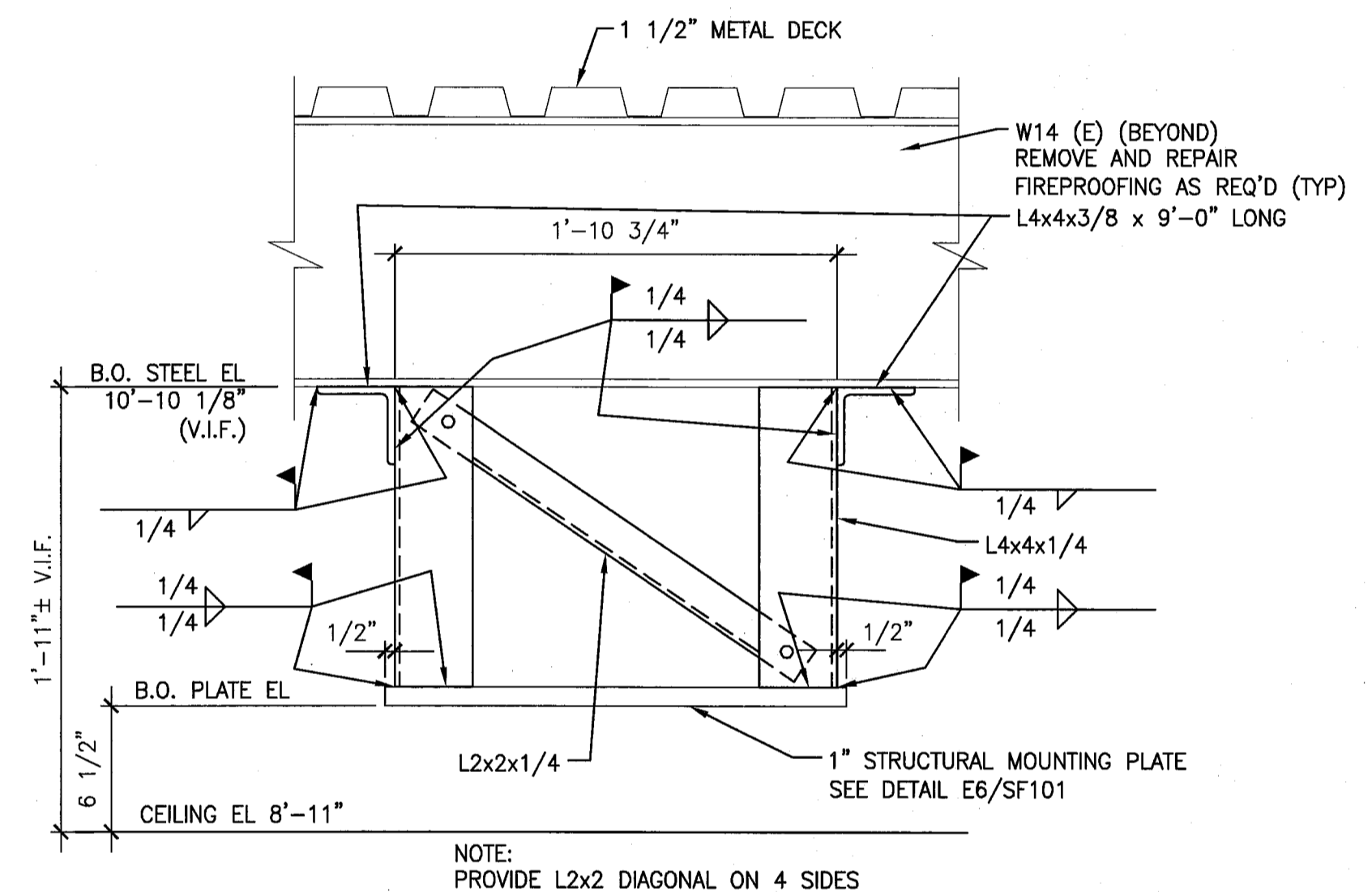
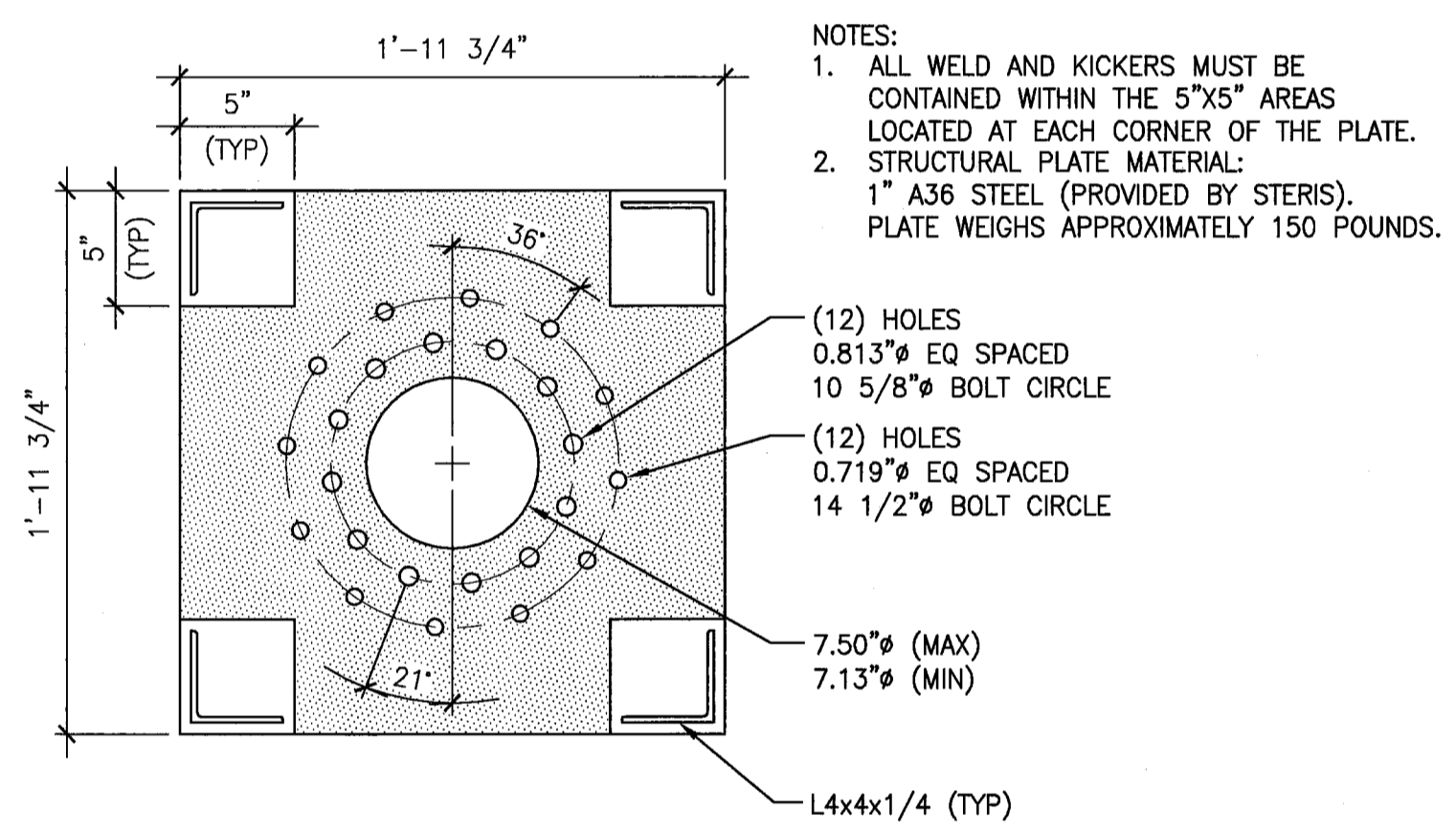
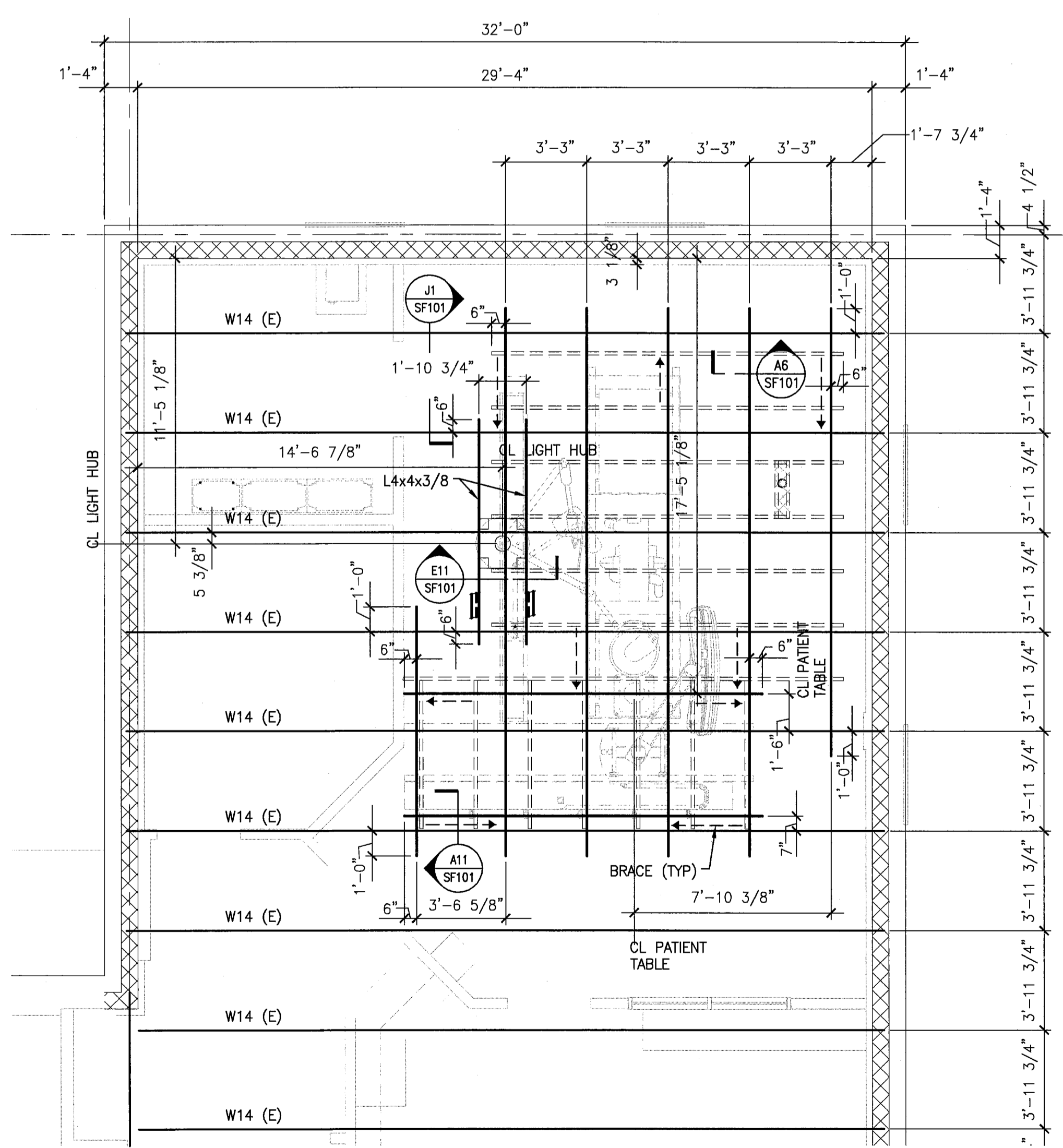
- NOTES:**
1. LIGHT HUB SUPPORTS SHALL BE DESIGNED FOR STERIS LED 585 W/ LEAD SHIELD PER MANUFACTURER'S DRAWINGS DATED 8/29/12.
 2. UNISTRUT SHALL BE DESIGNED FOR ARTIS ZEE CEILING PER MANUFACTURER'S DRAWINGS DATED 8/17/12.
 3. ALL HOT ROLLED STEEL SHALL CONFORM TO ASTM A36.
 4. ALL WELDING SHALL CONFORM TO AWS D1.1, LATEST EDITION. ELECTRODES SHALL BE E70XX.
 5. DRAWING SHALL BE USED IN CONJUNCTION WITH ARCHITECTURAL, MECHANICAL, PLUMBING, AND EQUIPMENT MANUFACTURER'S DRAWINGS. GC SHALL COORDINATE ALL LOCATIONS AND DIMENSIONS OF OPENINGS AND EQUIPMENT PRIOR TO FABRICATION.

J1 UNISTRUT BRACING DETAIL

J7 PATIENT TABLE MOUNTING PLATE DETAIL

1 1/2"=1'-0" *

1 1/2"=1'-0" *

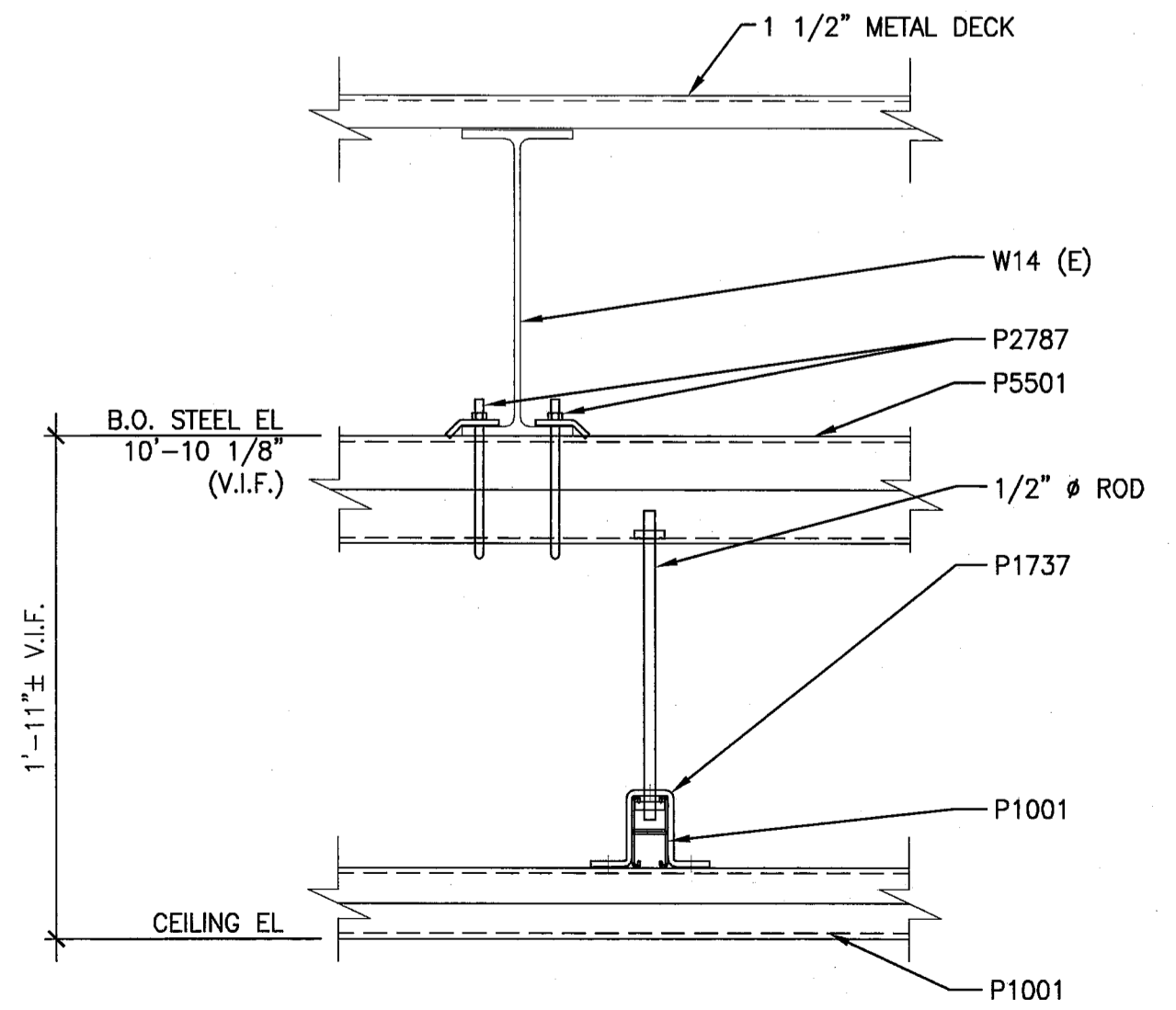
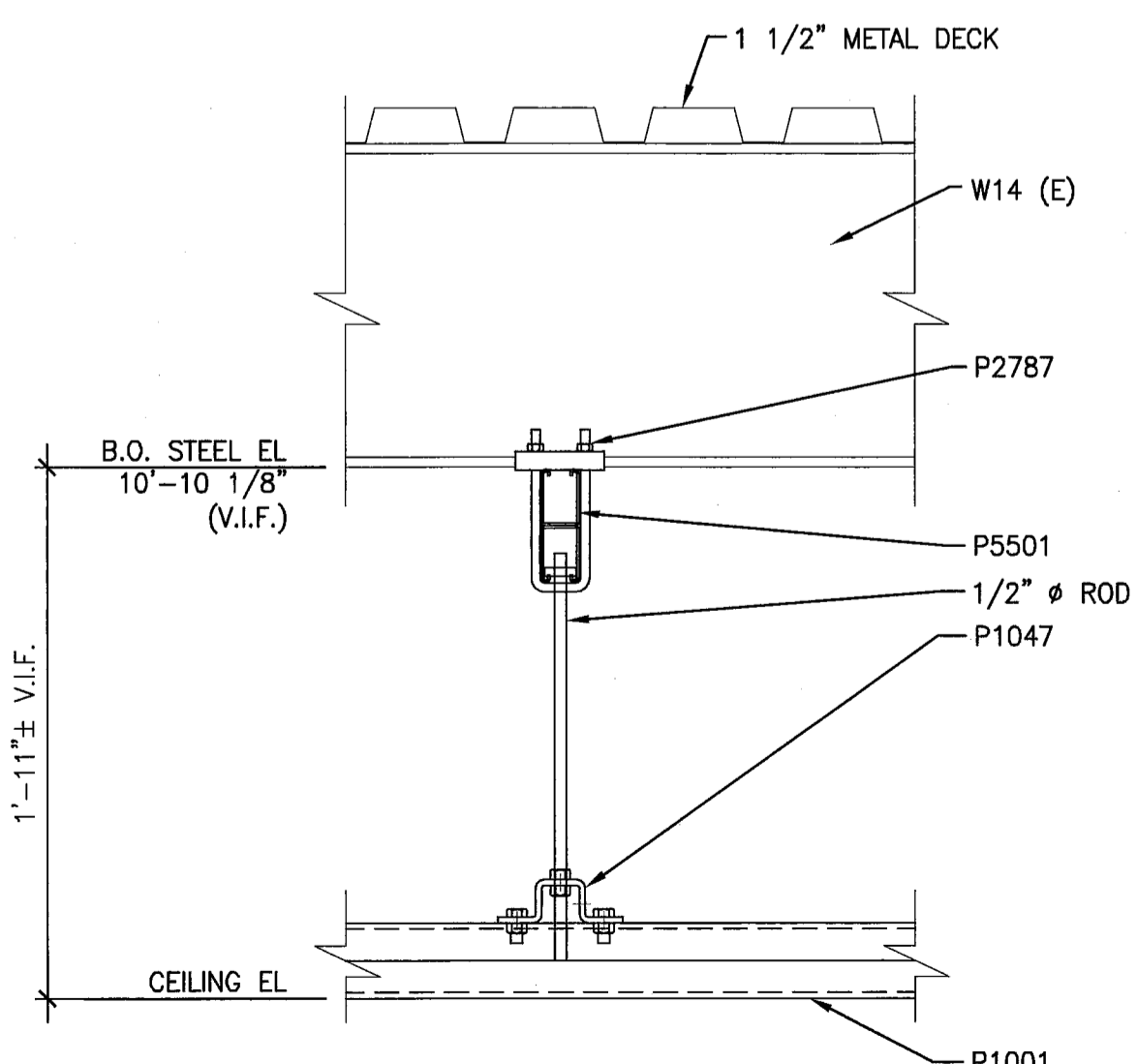


E6 PLATE DETAIL

E11 SECTION

1 1/2"=1'-0" *

1 1/2"=1'-0" *



A6 SECTION

A11 SECTION

A1 UNISTRUT FRAMING LAYOUT PLAN

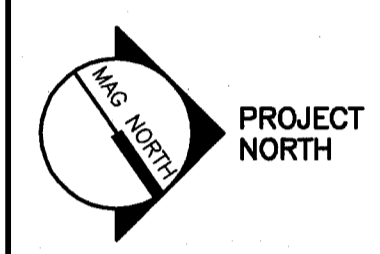
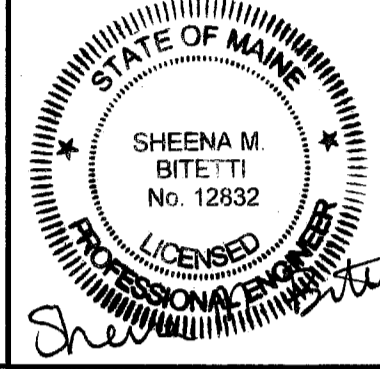
1/4"=1'-0" *

1 1/2"=1'-0" *

1 1/2"=1'-0" *

144 Fore Street P.O. Box 618
Portland, Maine 04104
Tel. (207) 772-3846
Fax. (207) 772-1070
www.srmdnc.com

ARCHITECTURE
ENGINEERING
PLANNING
INTERIOR DESIGN
COMMISSIONING



**MERCY HOSPITAL
EQUIPMENT REPLACEMENT
PORTLAND, ME**

**ISSUED FOR CONSTRUCTION
9-12-12**

CURRENT ISSUE STATUS:

REV	DESCRIPTION	DATE
10	ISSUED FOR CONSTRUCTION	9-12-12

GRAPHIC SCALE:
0" 1"

SCALE: AS NOTED

PROJECT MANAGER: KD
JC/DRAWN BY: SJF
A/E OF RECORD: SMB
CAD FILE: SF101-12076
PROJECT NO: 12076
DATE: 9-12-12

SHEET TITLE:
**FRAMING PLAN
AND DETAILS**

SHEET No.
SF101