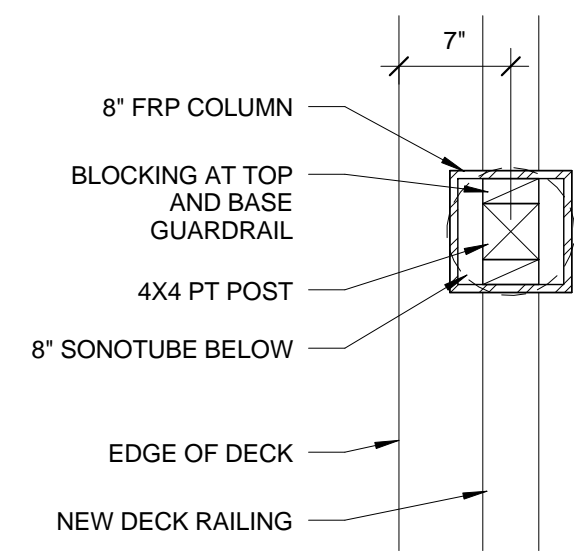
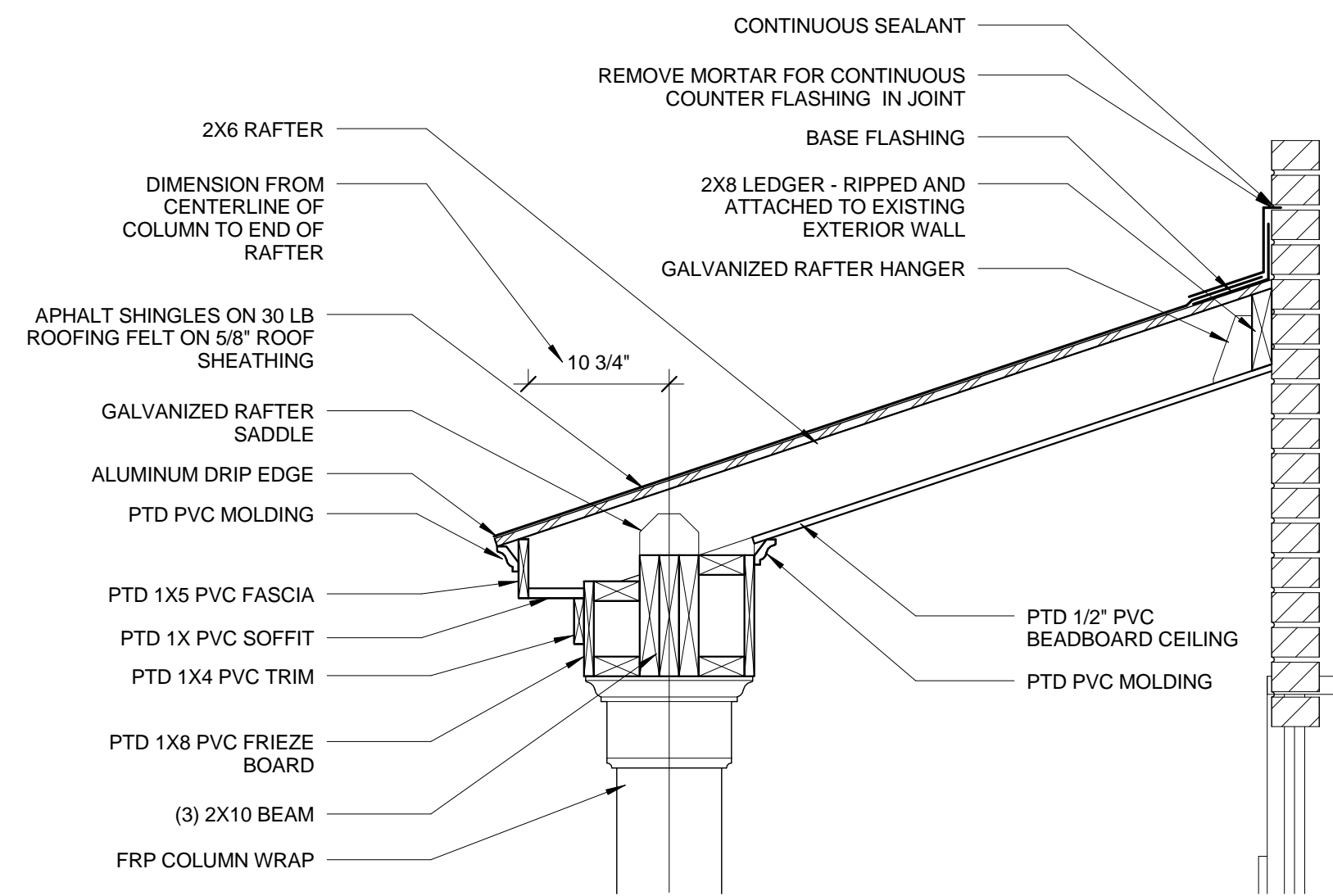


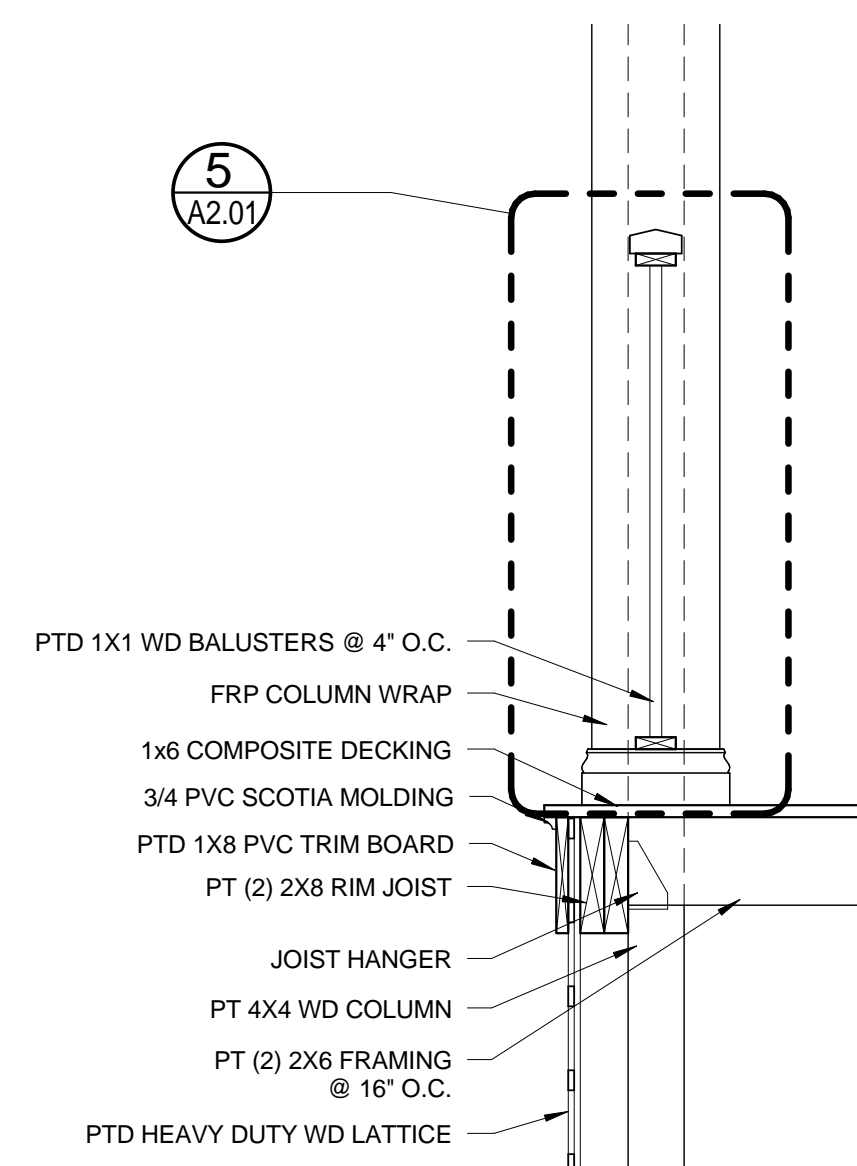
5 RAILING PROFILES
1/3" = 1'-0"



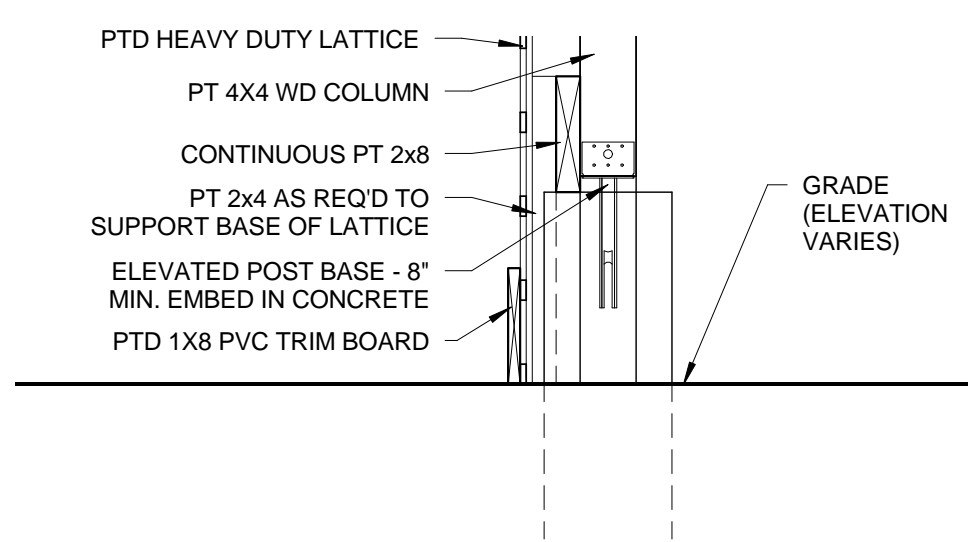
6 COLUMN PLAN DETAIL
1/4" = 1'-0"



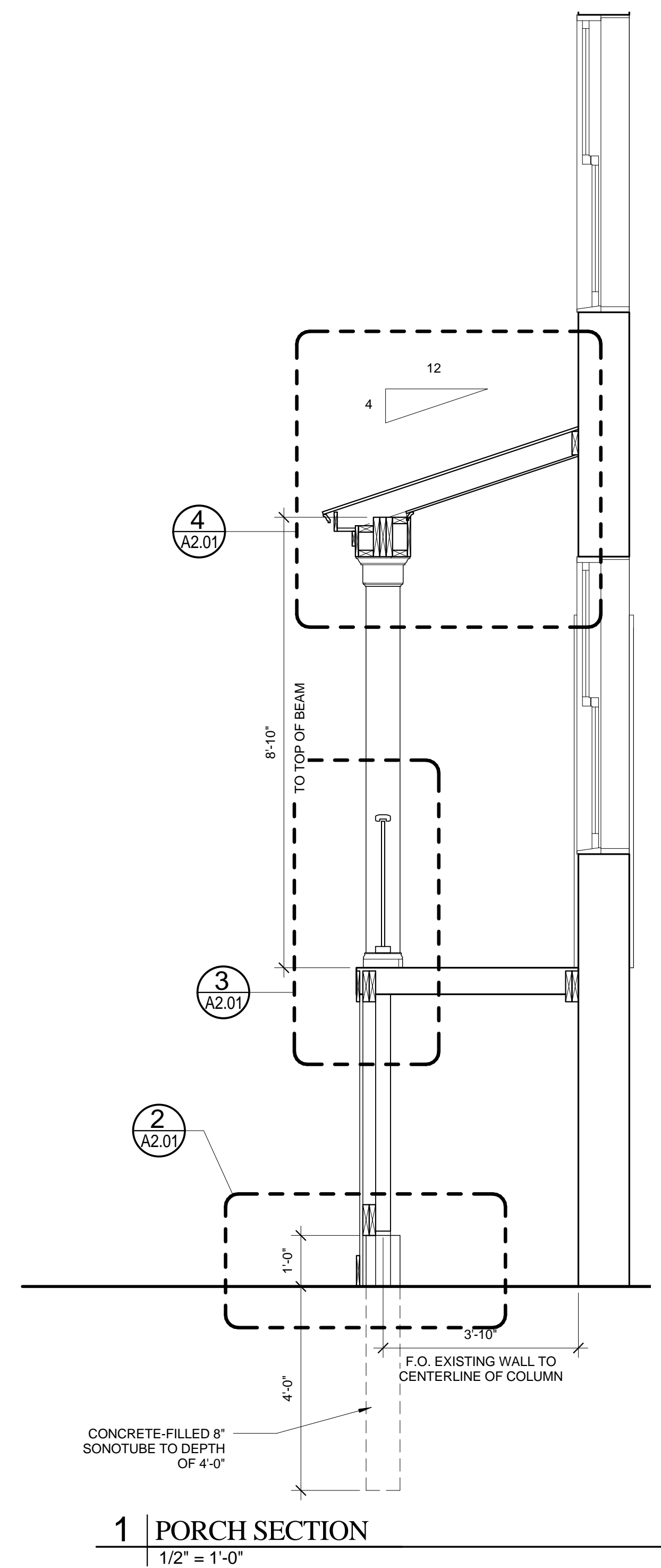
4 EVE DETAIL AT PORCH
1/4" = 1'-0"



3 BASE DETAIL AT PORCH
1/4" = 1'-0"



2 COLUMN BASE DETAIL
1/4" = 1'-0"



1 PORCH SECTION
1/2" = 1'-0"

Prepared For:
Mercy Hospital

Address
City, State

Consultant:

Architect:
ARCHETYPE Architects
48 Union Wharf Portland, Maine 04101
(207) 772-6022 ARCHETYPE@ARCHETYPEA.COM

Project:
97 State Street Porch

97 State Street Portland, ME

Revisions:

Scale:
As indicated

Date:
9/18/2014

Porch Section and Details

A2.01