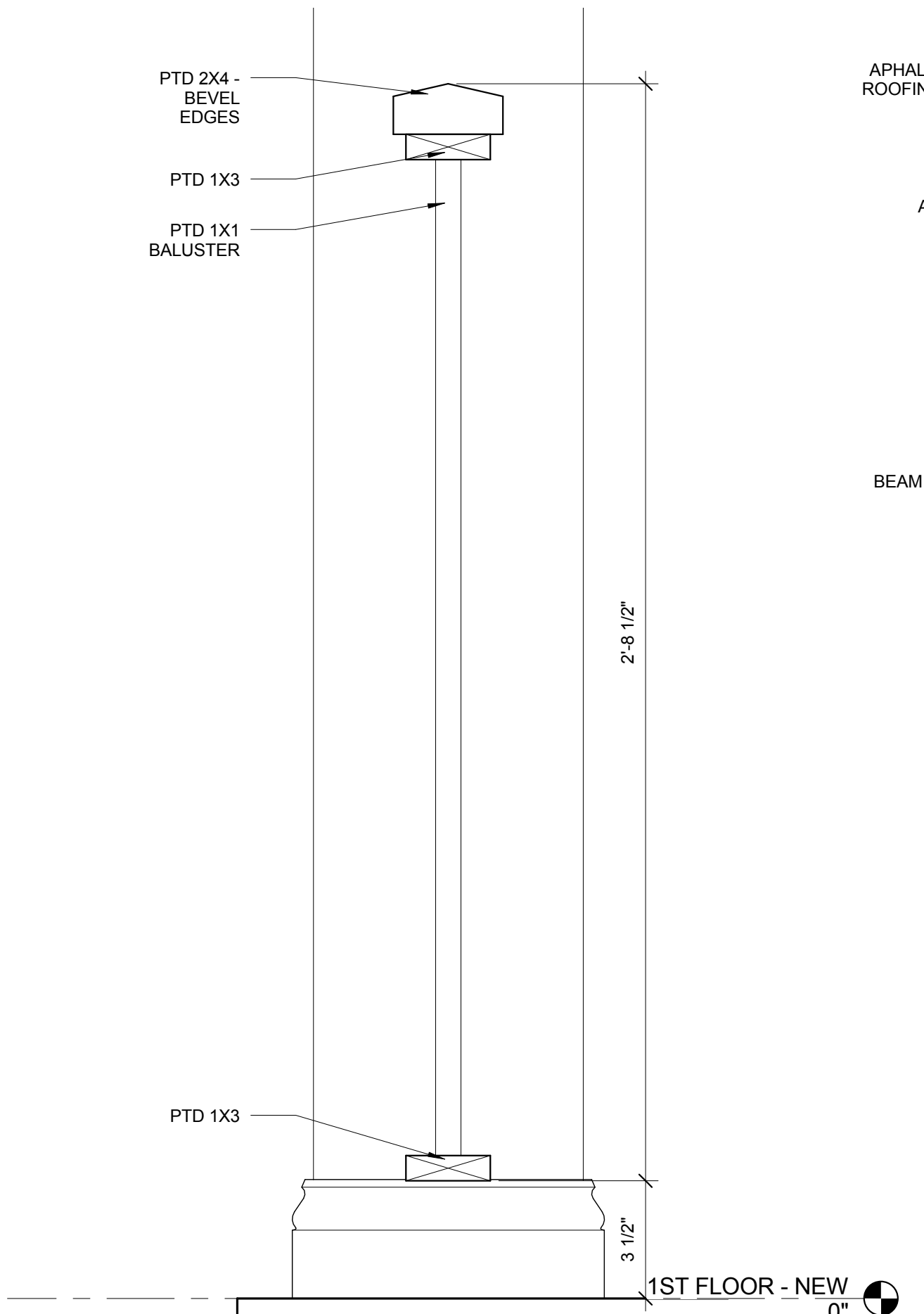
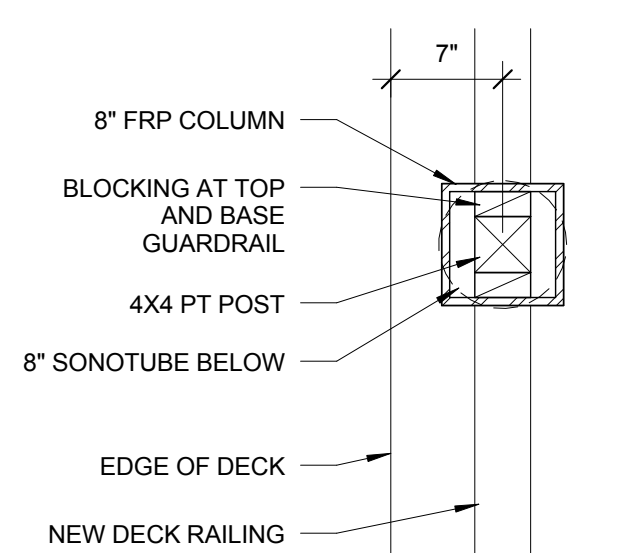


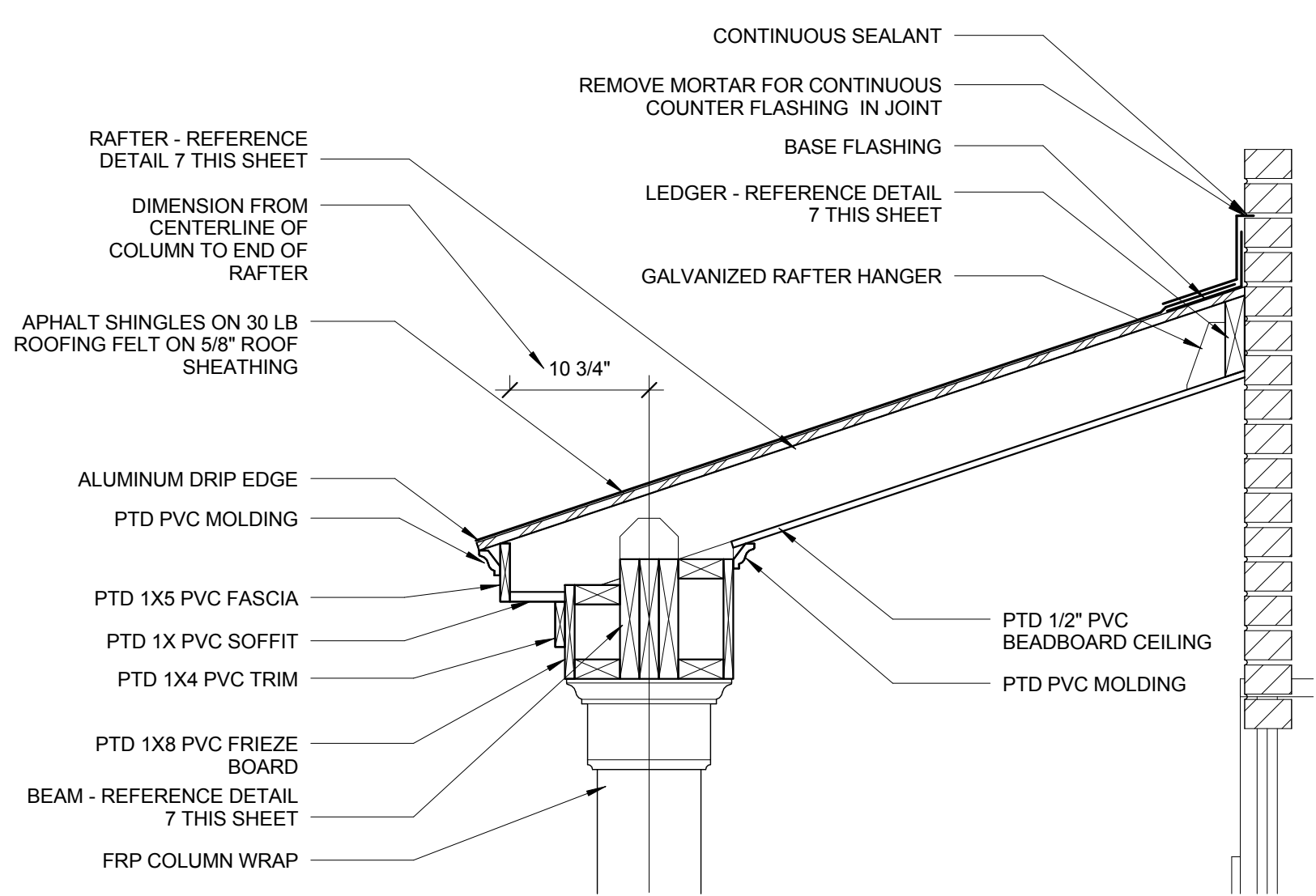
7 | STRUCTURAL SECTION
1" = 1'-0"



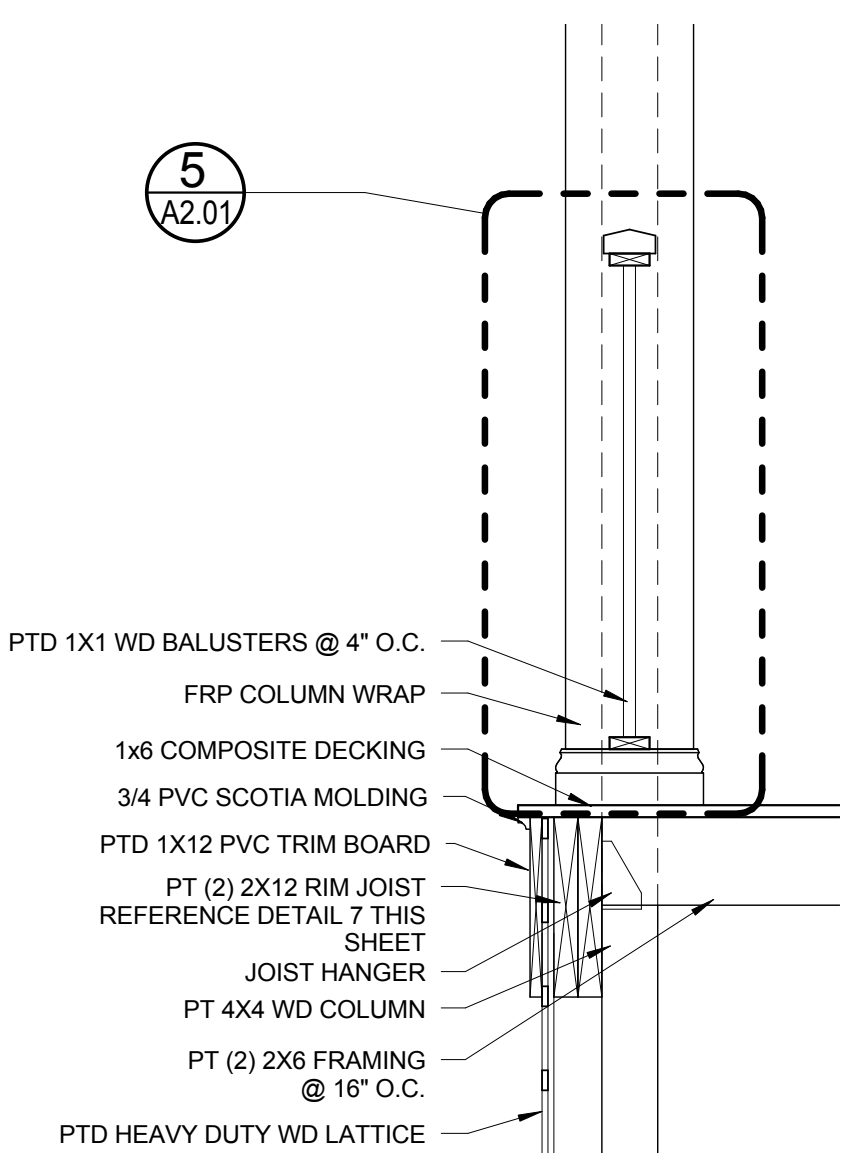
5 | RAILING PROFILES
3" = 1'-0"



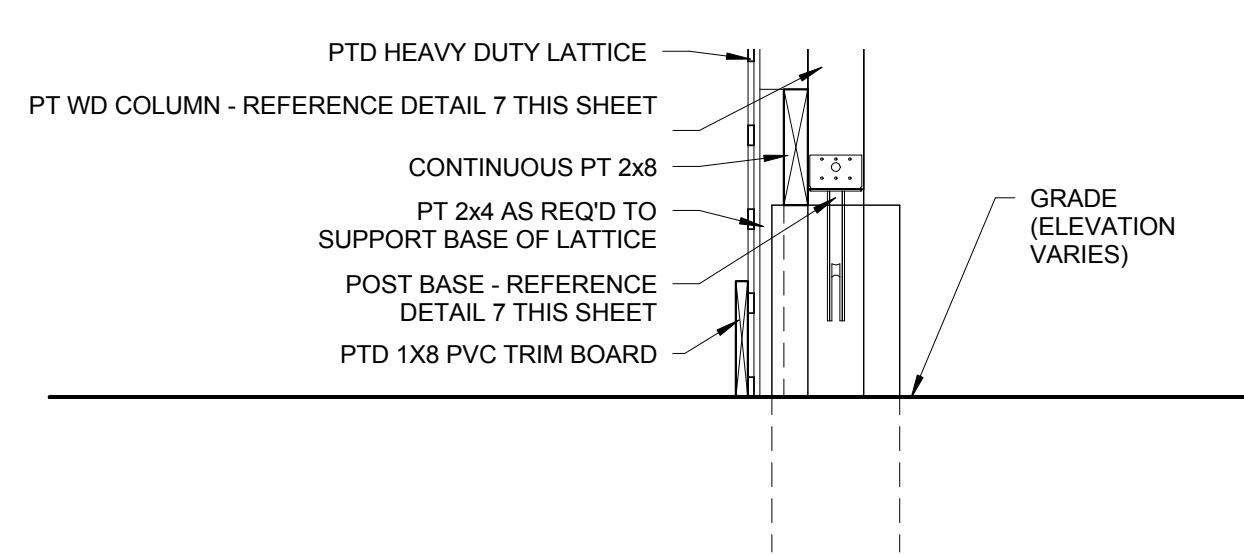
6 | COLUMN PLAN DETAIL
1" = 1'-0"



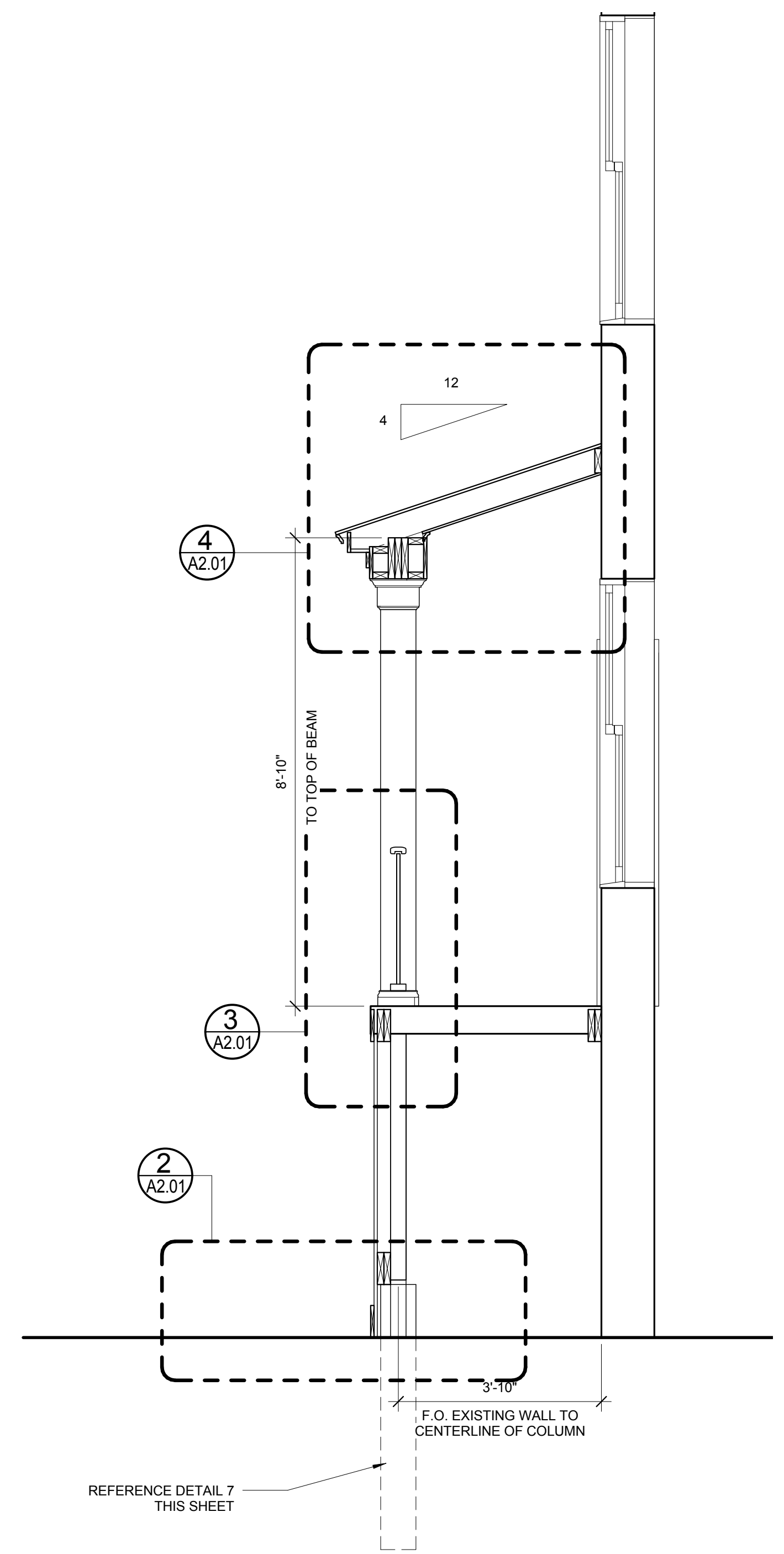
4 | EVE DETAIL AT PORCH
1" = 1'-0"



3 | BASE DETAIL AT PORCH
1" = 1'-0"



2 | COLUMN BASE DETAIL
1" = 1'-0"



1 | PORCH SECTION
1/2" = 1'-0"