

Prepared For:

Consulting Engineer:

Architect:
ARCHETYPE architects
 48 Union Wharf Portland, Maine 04101
 (207) 772-6022 Fax (207) 772-4056

Project:
 91 STATE STREET
 PORTLAND, MAINE

Revisions:

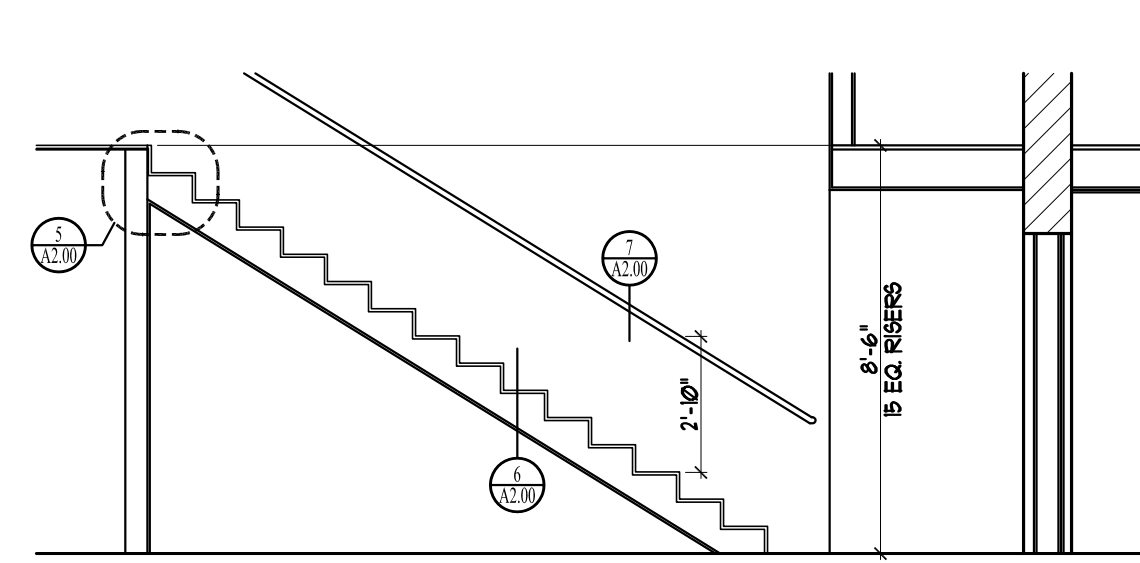
Scale:
 AS NOTED

Date:
 10 May 2013

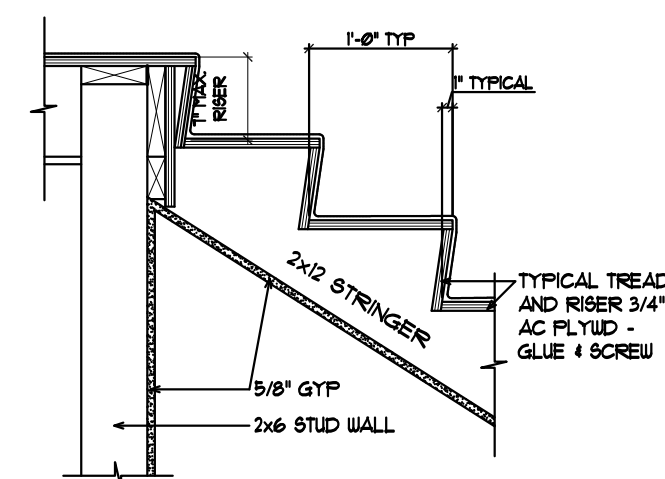
A2.00

LEGEND:

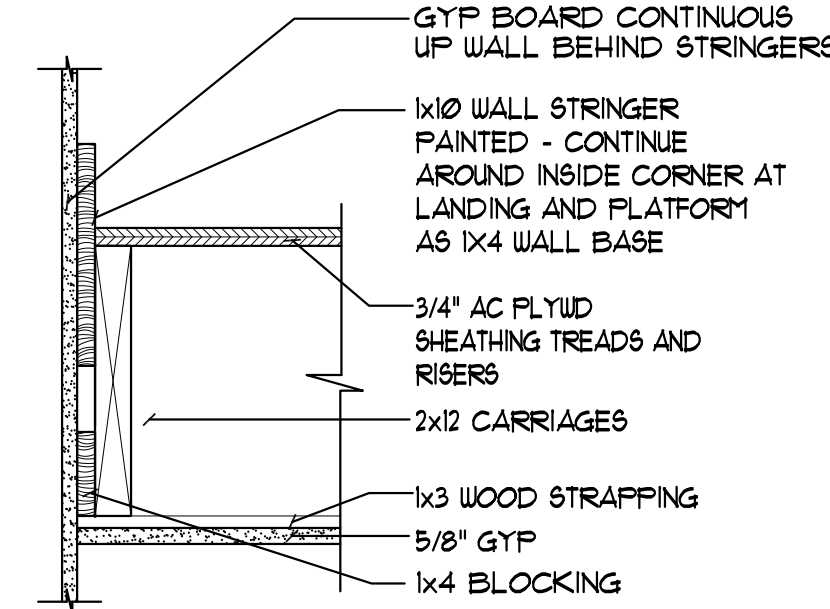
NEW WALL - STUD & GYP. BD.	
EXISTING STUD WALL	
EXISTING MASONRY WALL	
DEMO AND REMOVE	
1 HOUR DOOR W/CLOSER EXISTING DOOR FRAMES TO REMAIN. EQUIVALENT TO 1 HR. PAINT WITH INTUMESCENT PAINT	(LD)
NEW DOOR	(ND)



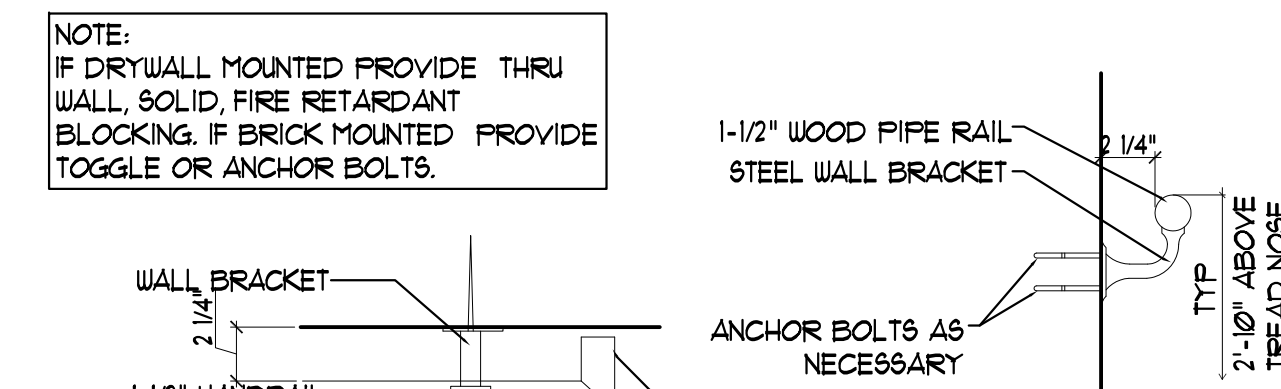
A STAIR SECTION
 SCALE: 1/4"=1'-0"



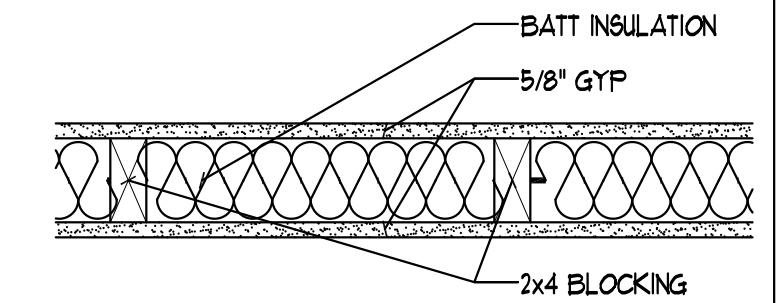
5 STAIR DETAIL
 SCALE: 3/4"=1'-0"



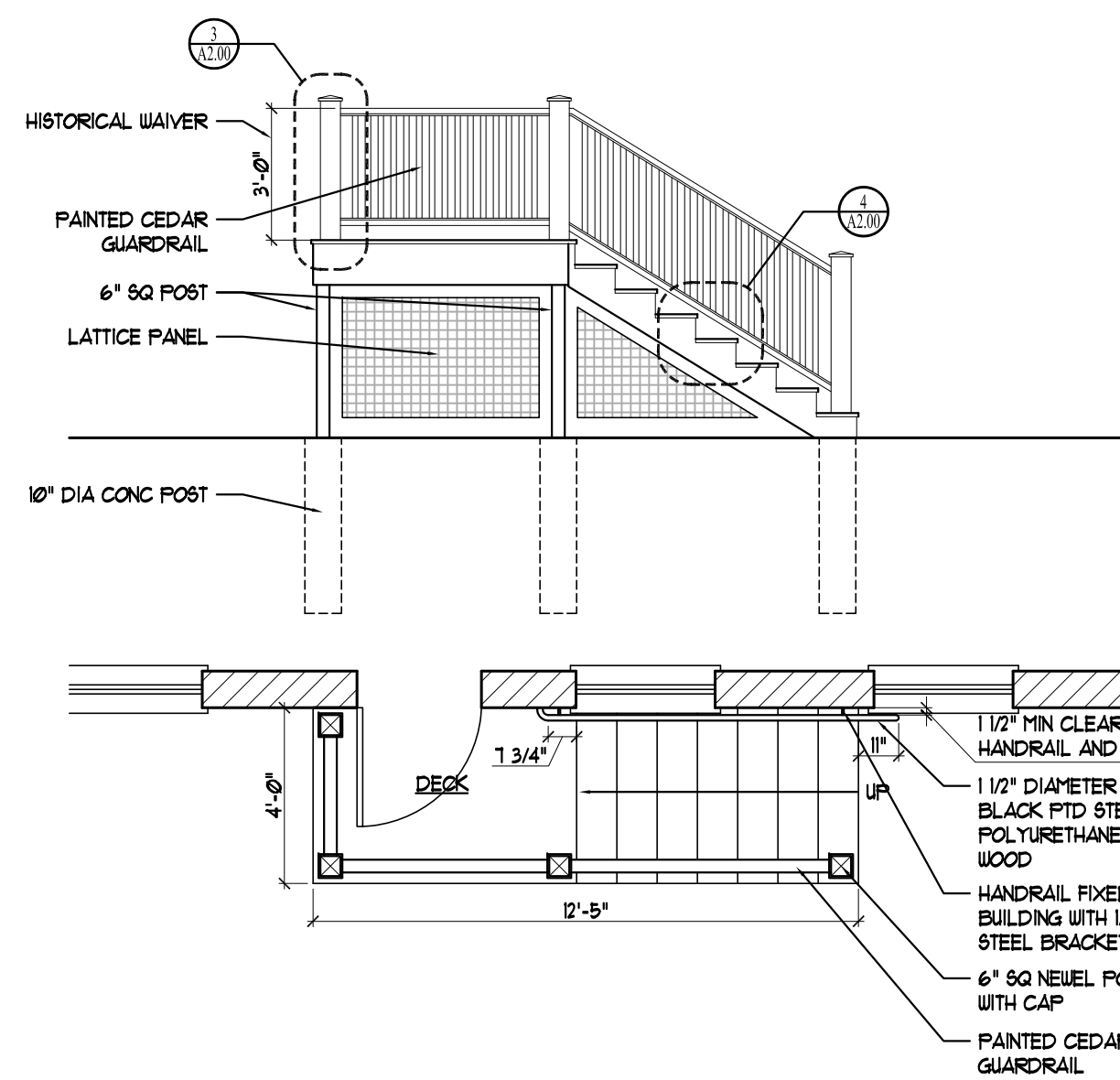
6 STAIR DETAIL
 SCALE: 1 1/2"=1'-0"



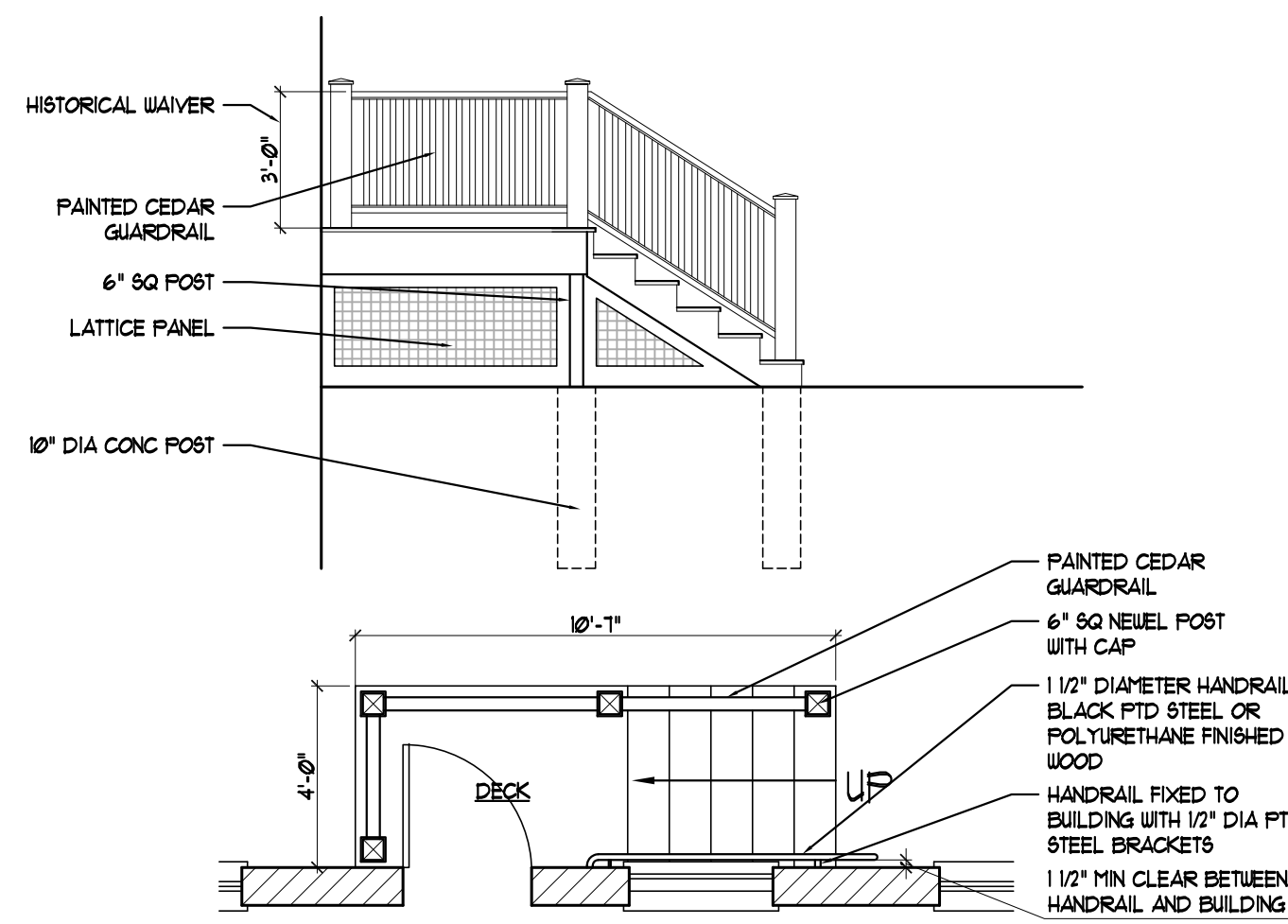
7 HANDRAIL DETAIL
 SCALE: 1 1/2"=1'-0"



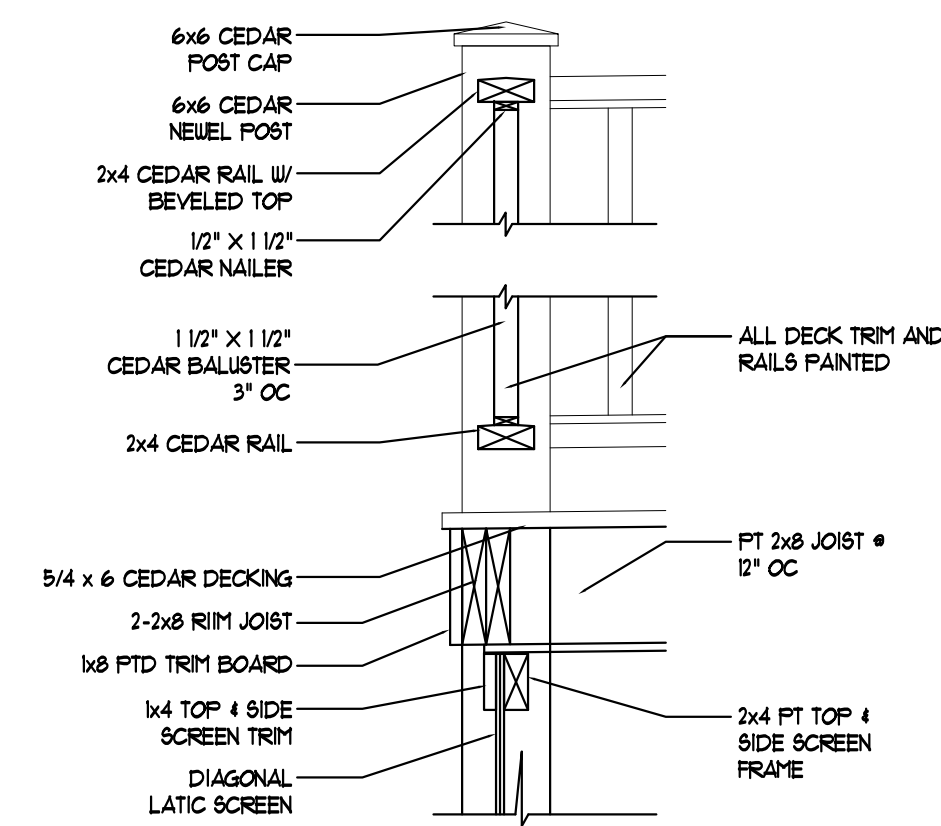
8 TYPICAL NEW STUD WALL
 SCALE: 1 1/2"=1'-0"



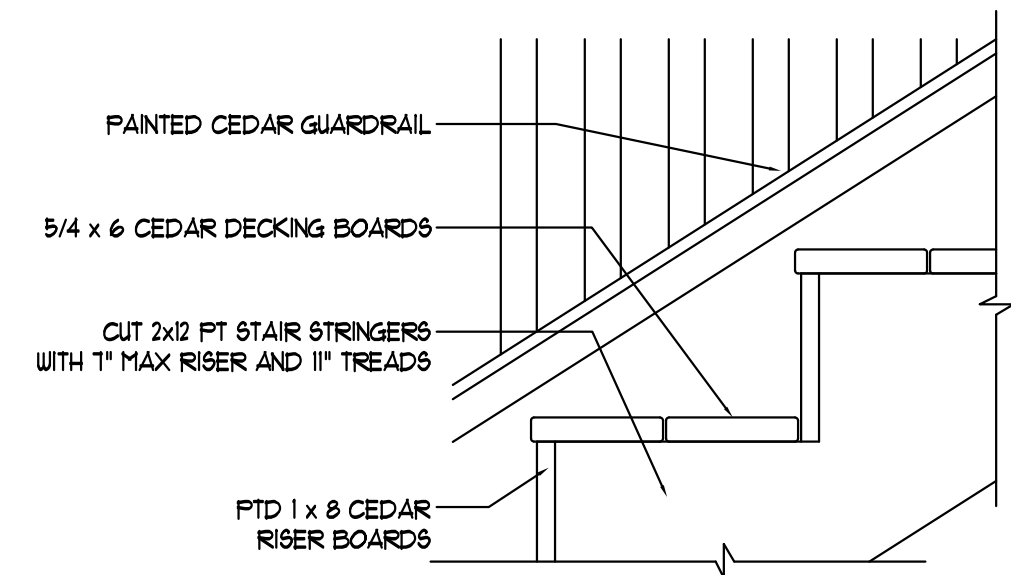
1 NEW EGRESS STAIR
 SCALE: 1/4"=1'-0"



2 NEW EGRESS STAIR
 SCALE: 1/4"=1'-0"



3 DECK SECTION @ RAIL
 SCALE: 1"=1'-0"



4 DECK DETAIL @ STAIR
 SCALE: 1 1/2"=1'-0"