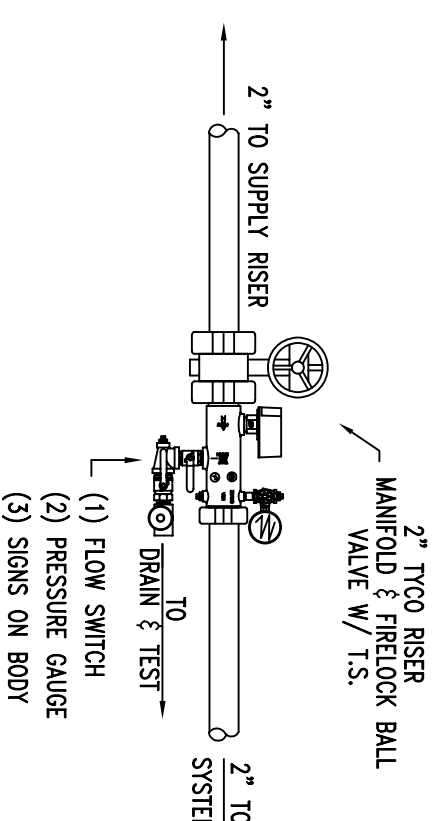
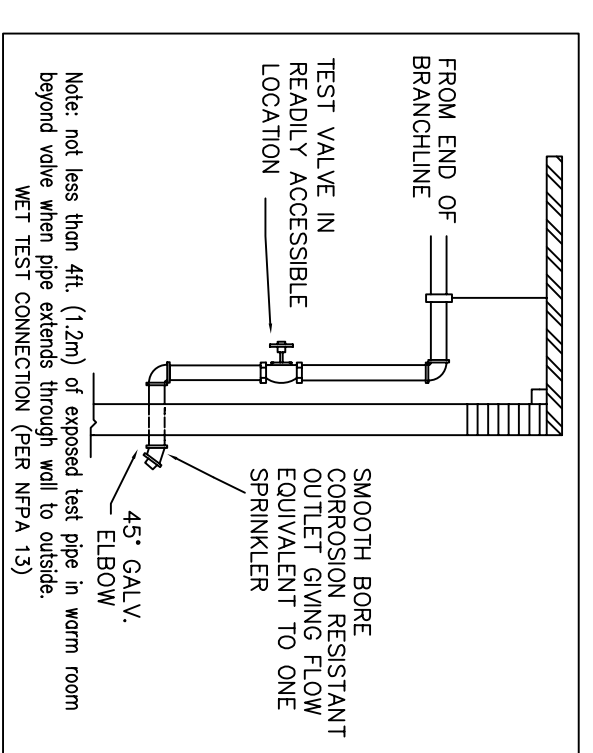


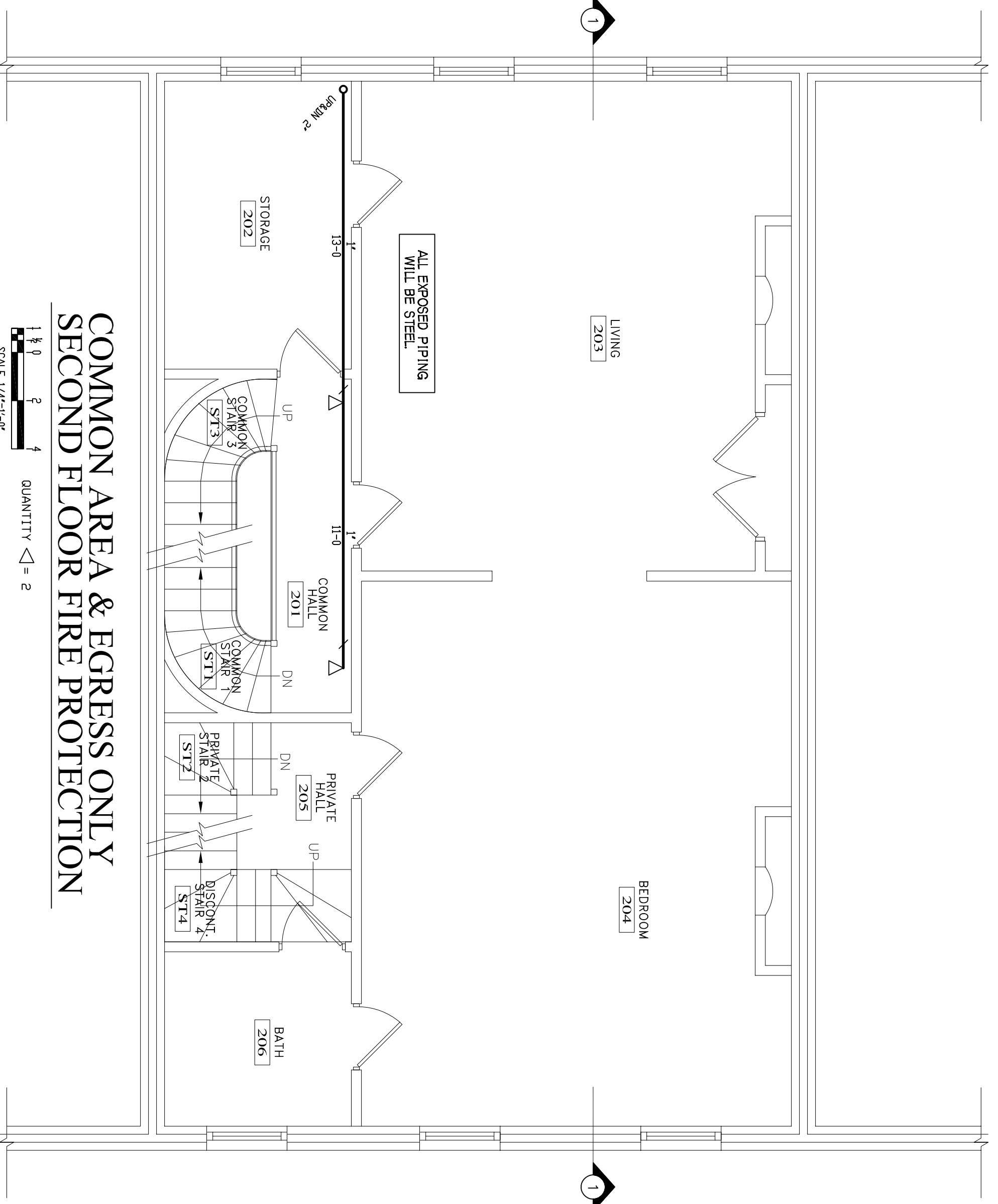
**COMMON AREA & EGRESS ONLY
THIRD FLOOR FIRE PROTECTION**

SCALE 1/4"=1'-0"
QUANTITY \blacktriangleleft = 3

HYDRAULIC DESIGN DATA	
System # & Area:	#1 - 11' Attic
No. of Sprinklers:	4
Density:	0.05 GPM
Design Area:	ROOM
Water Allowance:	N/A GPM
Water Flow Rate:	64 GPM
at Base of Riser:	53 PSI
Safety Factor:	PSI
at Base of Riser:	816 PSI

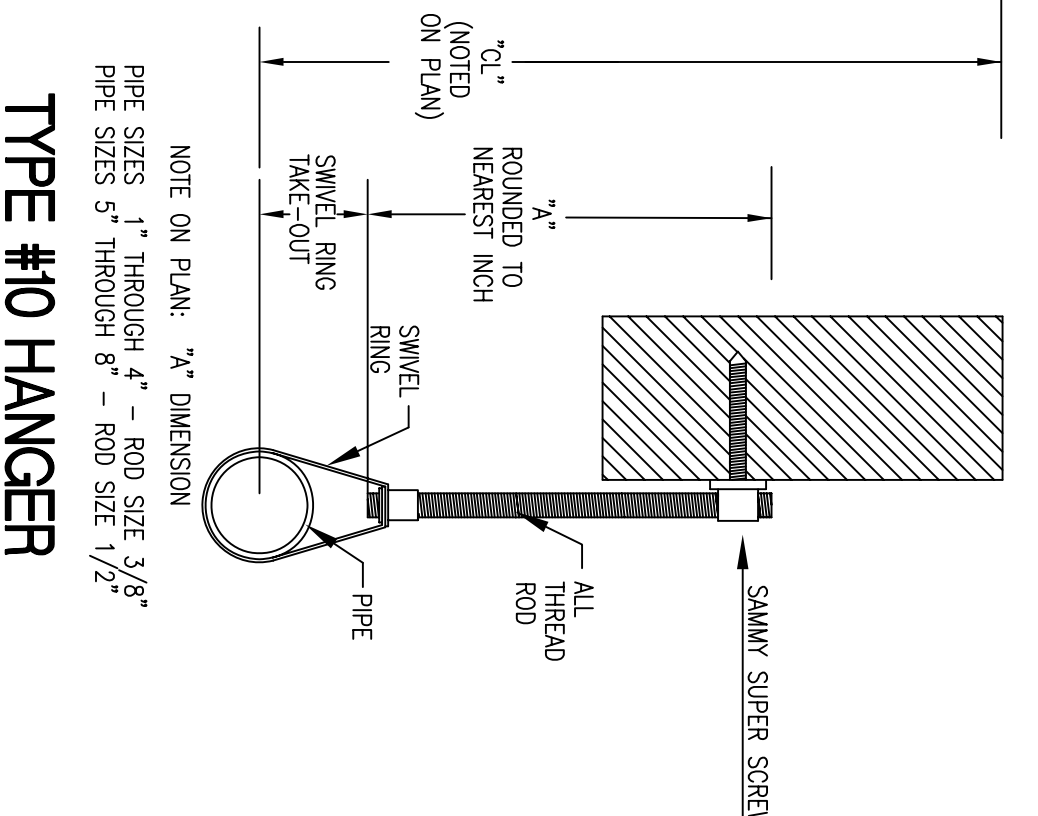


FLOOR CONTROL VALVE

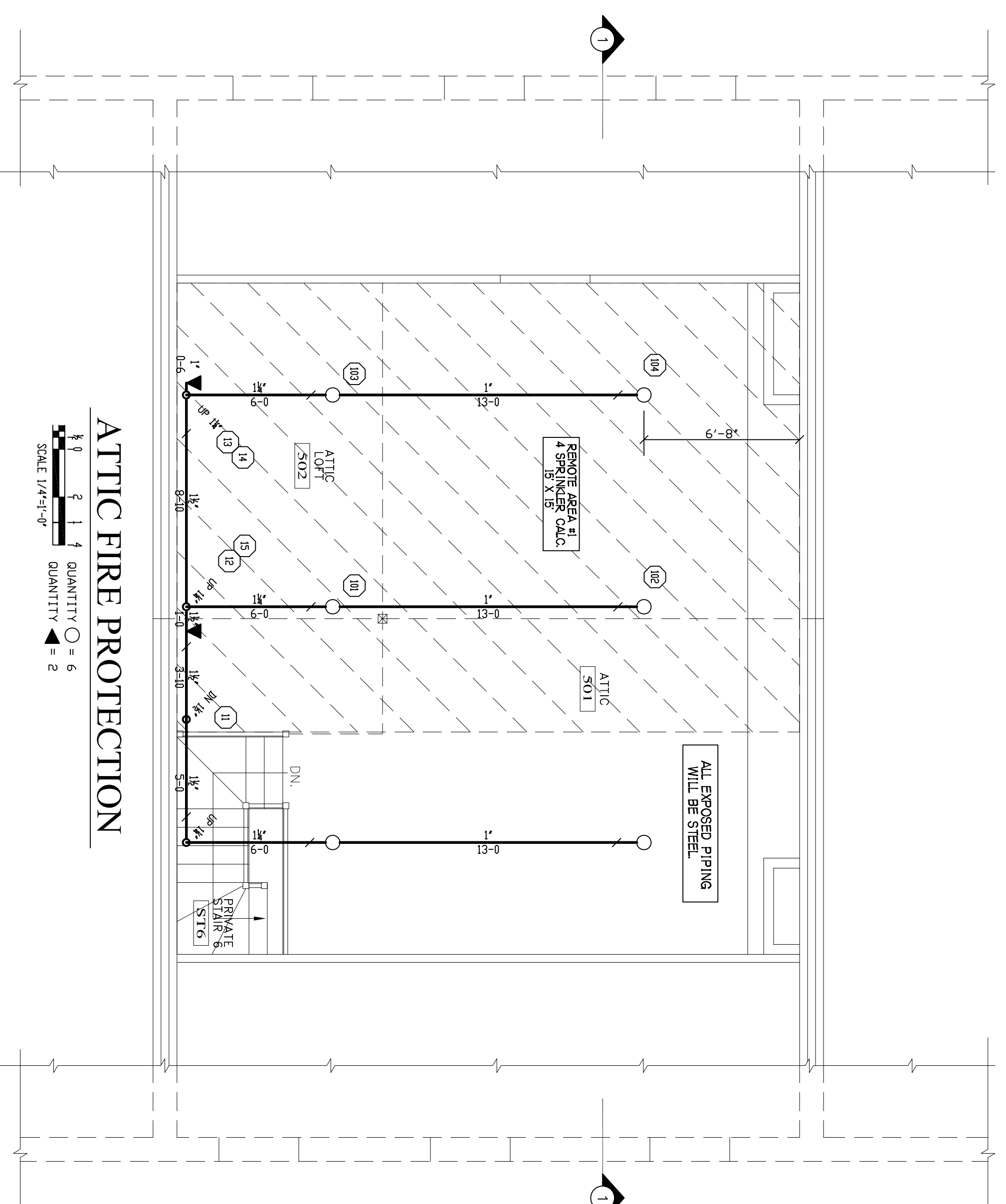


**COMMON AREA & EGRESS ONLY
SECOND FLOOR FIRE PROTECTION**

SCALE 1/4"=1'-0"
QUANTITY \blacktriangleleft = 2

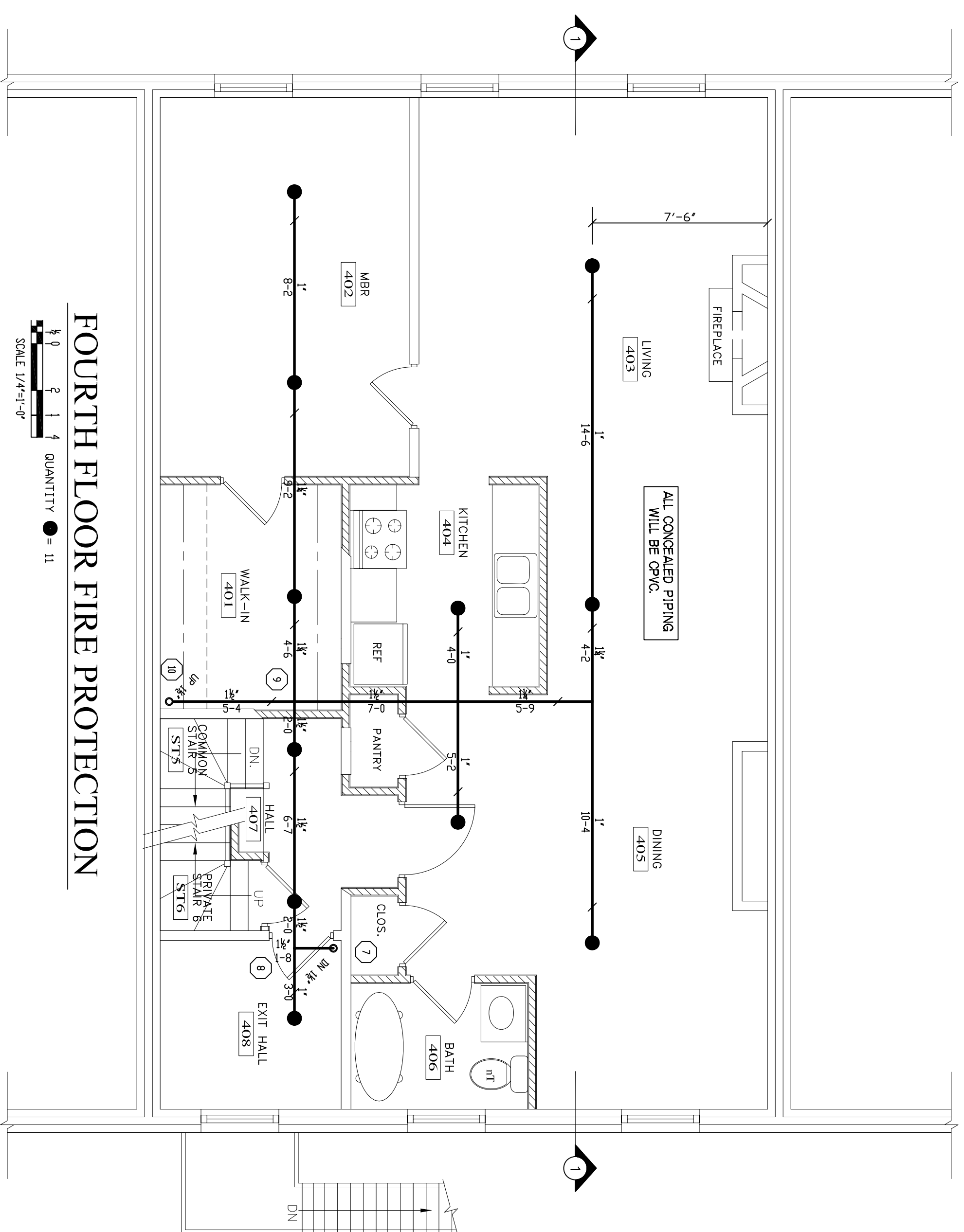


TYPE #10 HANGER



ATTIC FIRE PROTECTION

SCALE 1/4"=1'-0"
QUANTITY \circ = 6



FOURTH FLOOR FIRE PROTECTION

SCALE 1/4"=1'-0"
QUANTITY \bullet = 11

REVISIONS	NOTES	SPRINKLER TYPE	IDENTIFICATION NO.	MFG.	ESC.	MODEL FINISH	ORIFICE	TEMP.	SYMBOL	QUANT.
		K-5.6 UPRIGHT SPRINKLER COVERAGE 1575*	TY624	TYCO	CONCEALED	LTI	1/2"	155*	○	11
		K-4.9 REMVAL SPRINKLER COVERAGE 1678*	TY3131	TYCO	N/A	TY-F78	1/2"	155*	○	6
		K-5.6 STEWALL SPRINKLER COVERAGE 1474*	TY2324	TYCO	Z-MEET	LTI	1/2"	155*	○	5
		K-4.4 STEWALL SPRINKLER COVERAGE 1474*	TY 331	TYCO	N/A	TY-F78	1/2"	155*	○	2
TOTAL SPRINKLERS THIS DRAWING										

STANDARD SYMBOLS	
	POST INDICATOR VALVE
	KEY VALVE
	FIRE HYDRANT
	FIRE DEPT. CONNECTION
	O.S. & Y GATE VALVE
	SWING CHECK VALVE
	NEW UNDERDRAIN
	ESH UNDERDRAIN

STANDARD SYMBOLS	
	ALARM CHECK VALVE
	RISER W/ALARM VALVE
	RISER W/ORLY VALVE
	RISER W/ELEC. FLOW SWITCH
	RISER W/RELIEF VALVE
	WATER MOTOR BELL
	ELECTRIC BELL
	FLUSH RING DEPT. CONNECTION

106 PARK STREET	JOB No. M0097
PORTLAND, MAINE 04101	DATE 11/19/12
FREEDOM FIRE PROTECTION, INC.	DRAWN BY MAN
209 QUAKER RIDGE ROAD	SCALE (AS NOTED)
CASCO, MAINE 04015	SHEET No.
	FP-3013