

02/01/2016

Building Envelope Specialists
SPECIALIZED BUILDING CONSULTANTS
PO BOX 2589, SOUTH PORTLAND MAINE, 04116
PHONE: 207-400-0086

Episcopal Diocese of Maine
143 State Street Portland
LORING HOUSE
BUILDING ENVELOPE MASONRY REPAIR

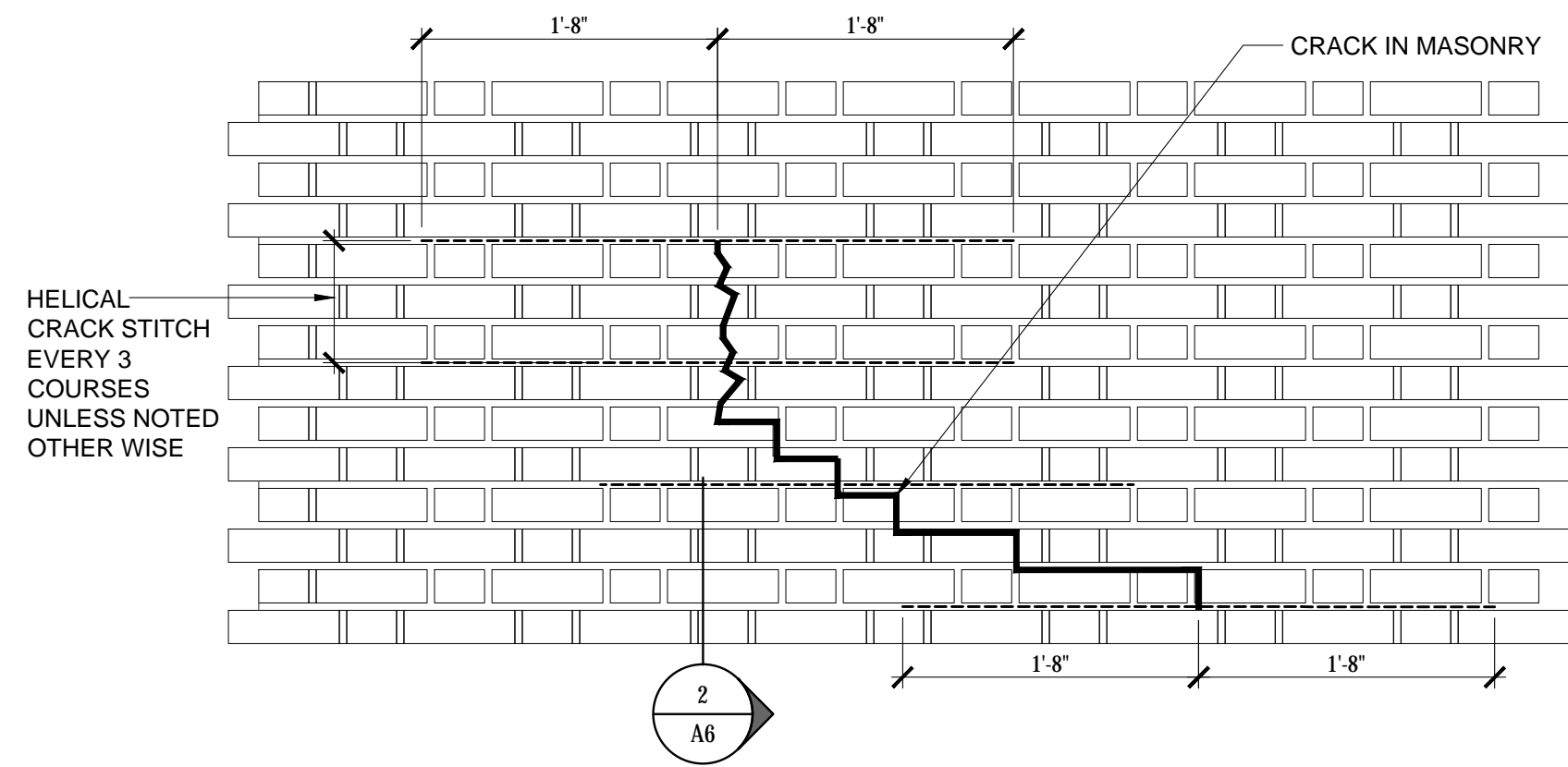
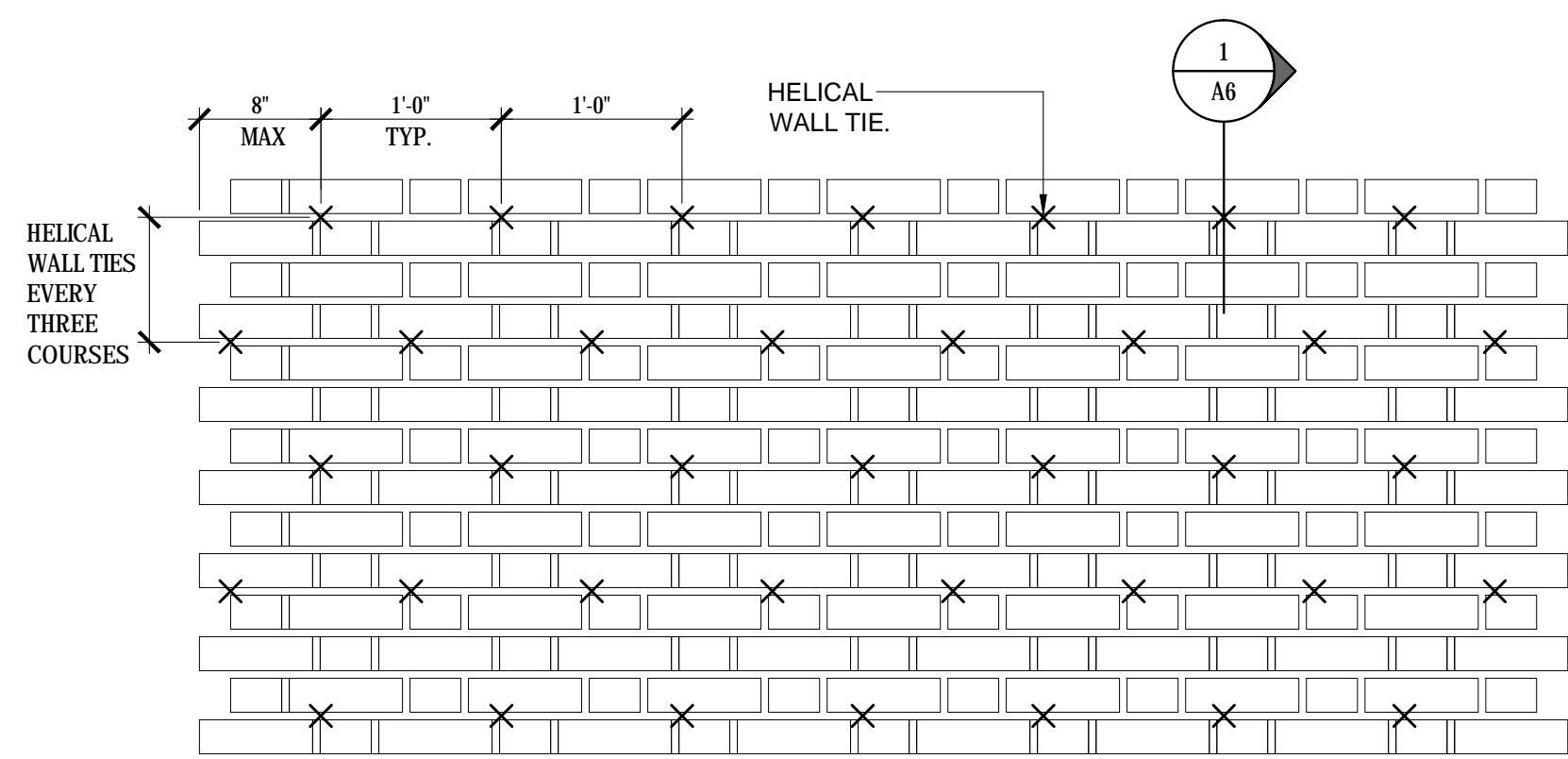
REVISIONS

DRAWN BY: R/JH
CHECKED BY: DPD
DATE: 02-01-2016
ISSUED: CONSTRUCTION DOCUMENTS

DETAILS

A6

SCALE: AS NOTED
PROJECT NUMBER: 008-15
© BUILDING ENVELOPE SPECIALISTS, INC. 2012



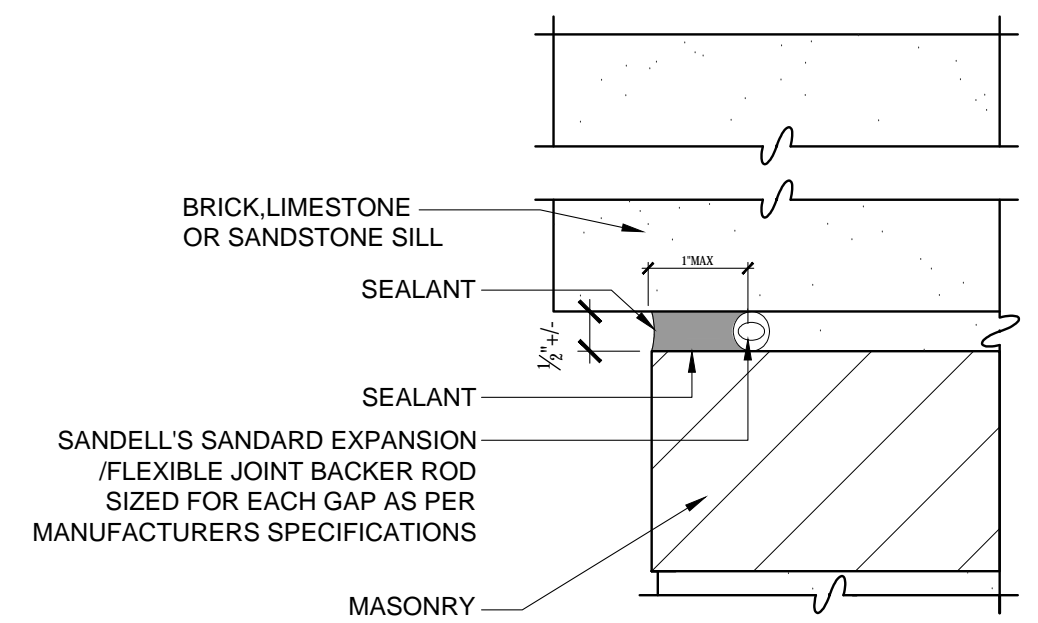
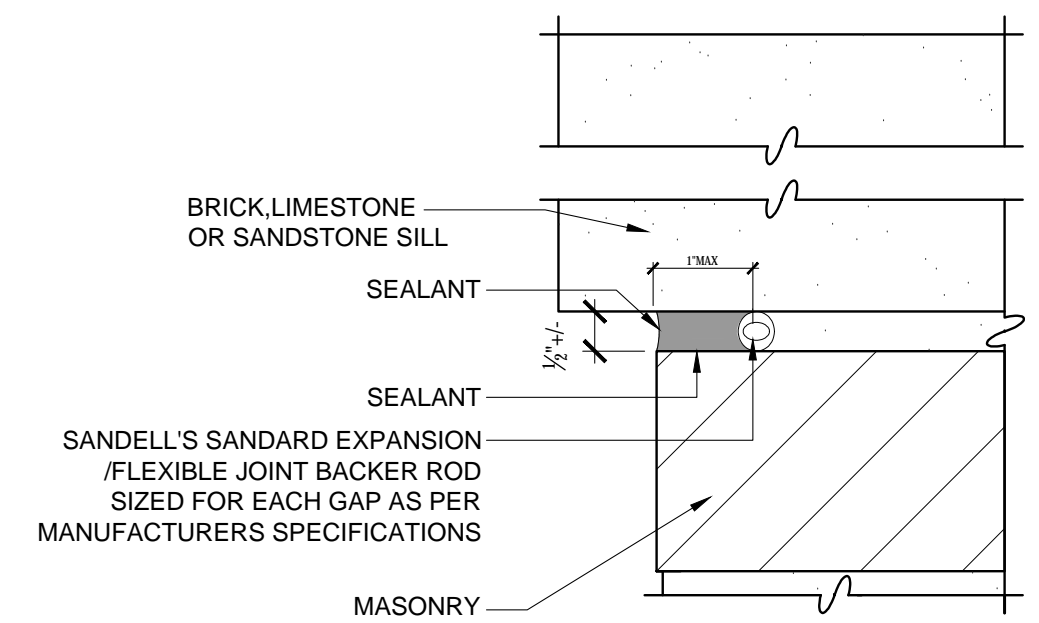
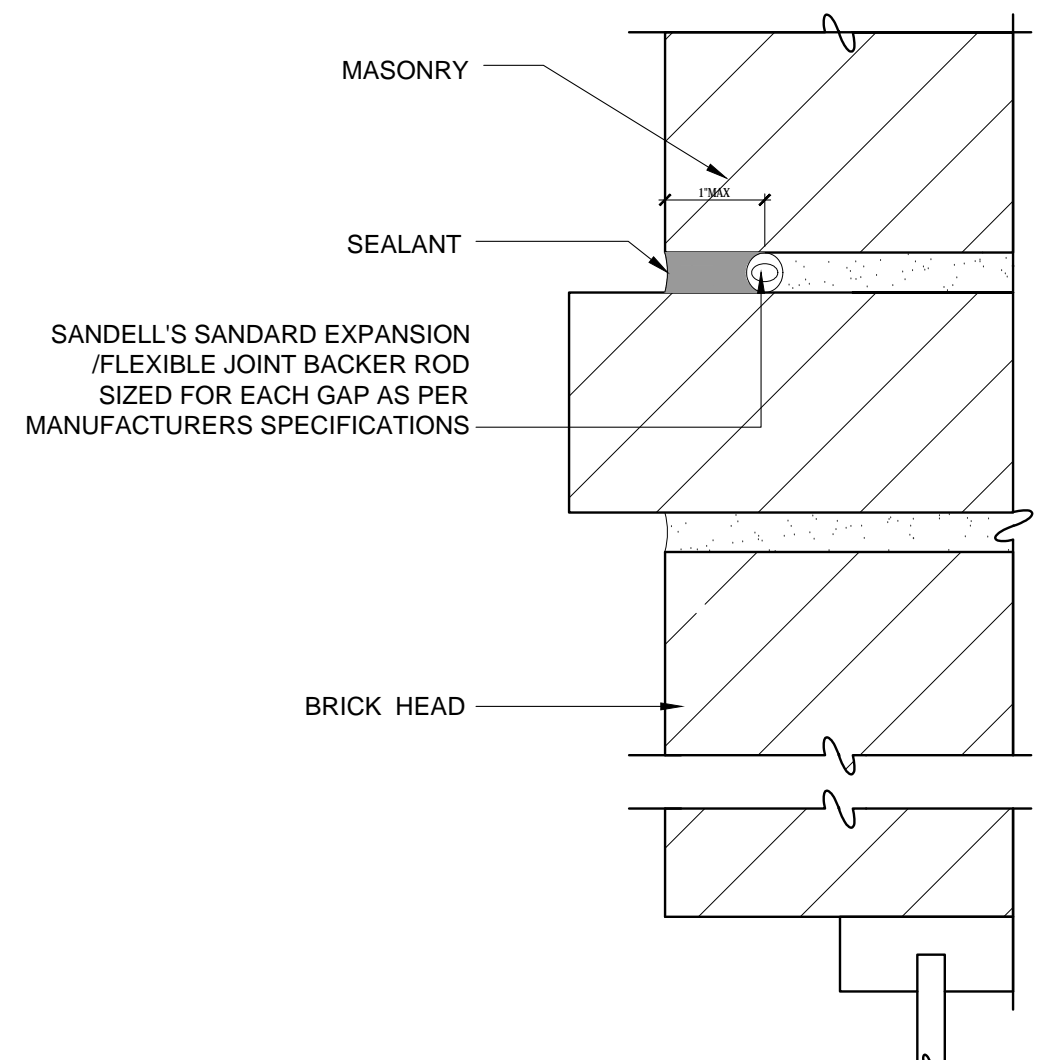
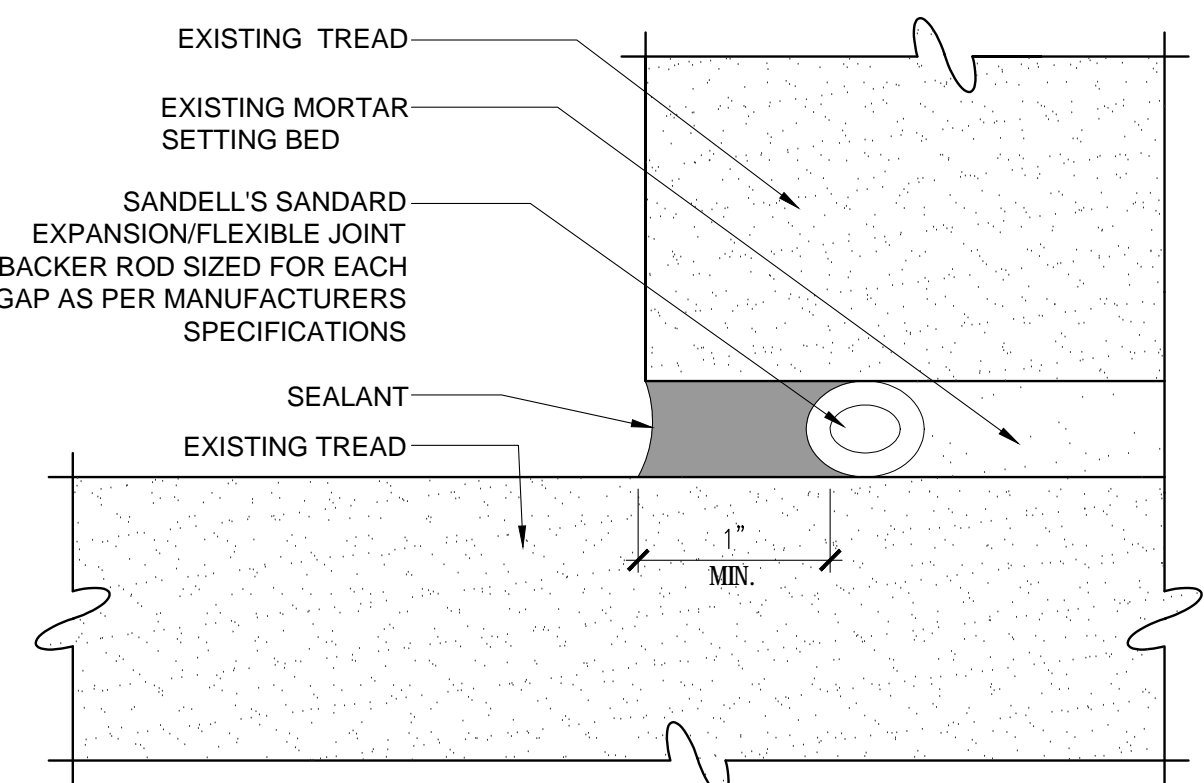
11 HELICAL WALL TIE INSTALLATION

12 HELICAL CRACK STITCH INSTALLATION

13 NOT USED

SCALE: 1"=1"

SCALE: 1"=1"



6 SEALANT AT STAIR

7 BACKER ROD DETAIL AT HEAD

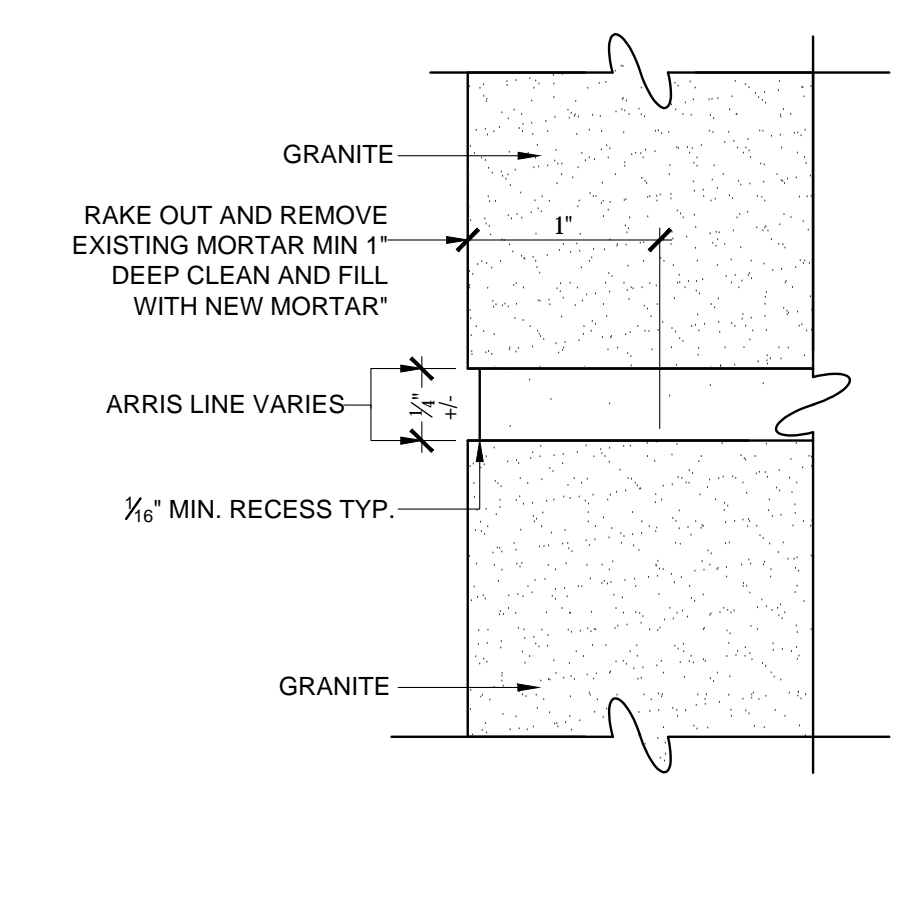
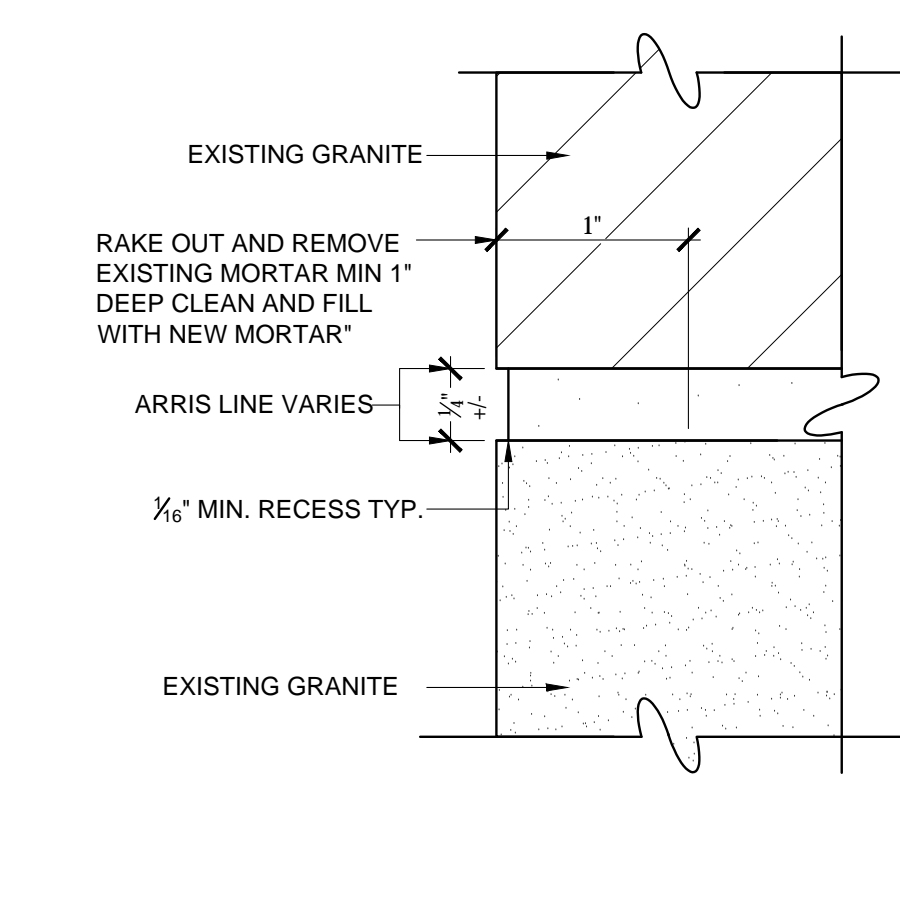
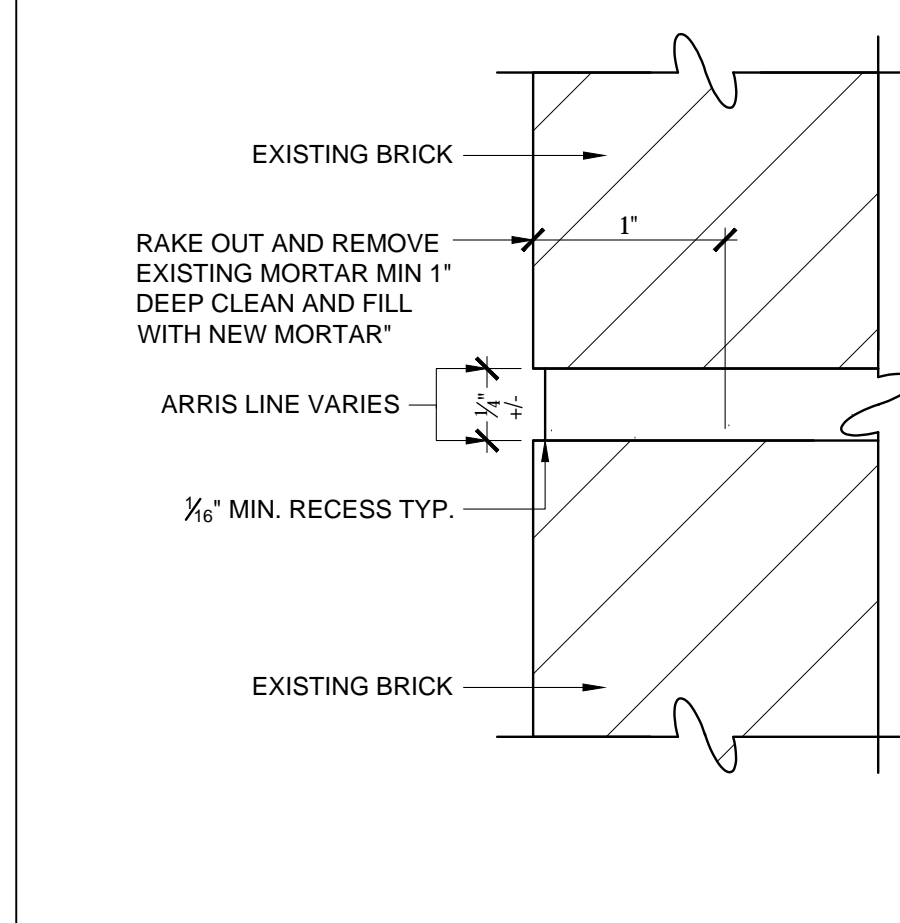
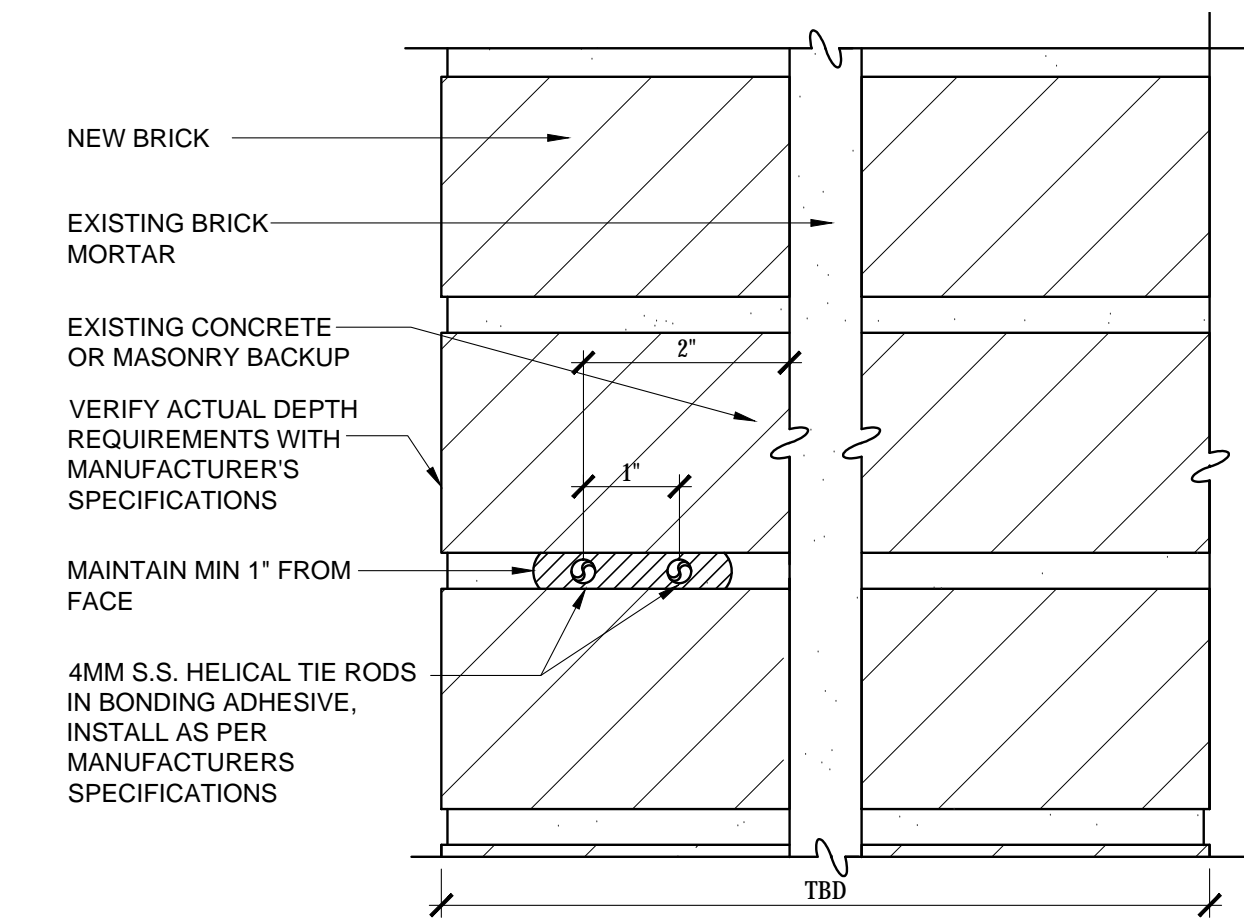
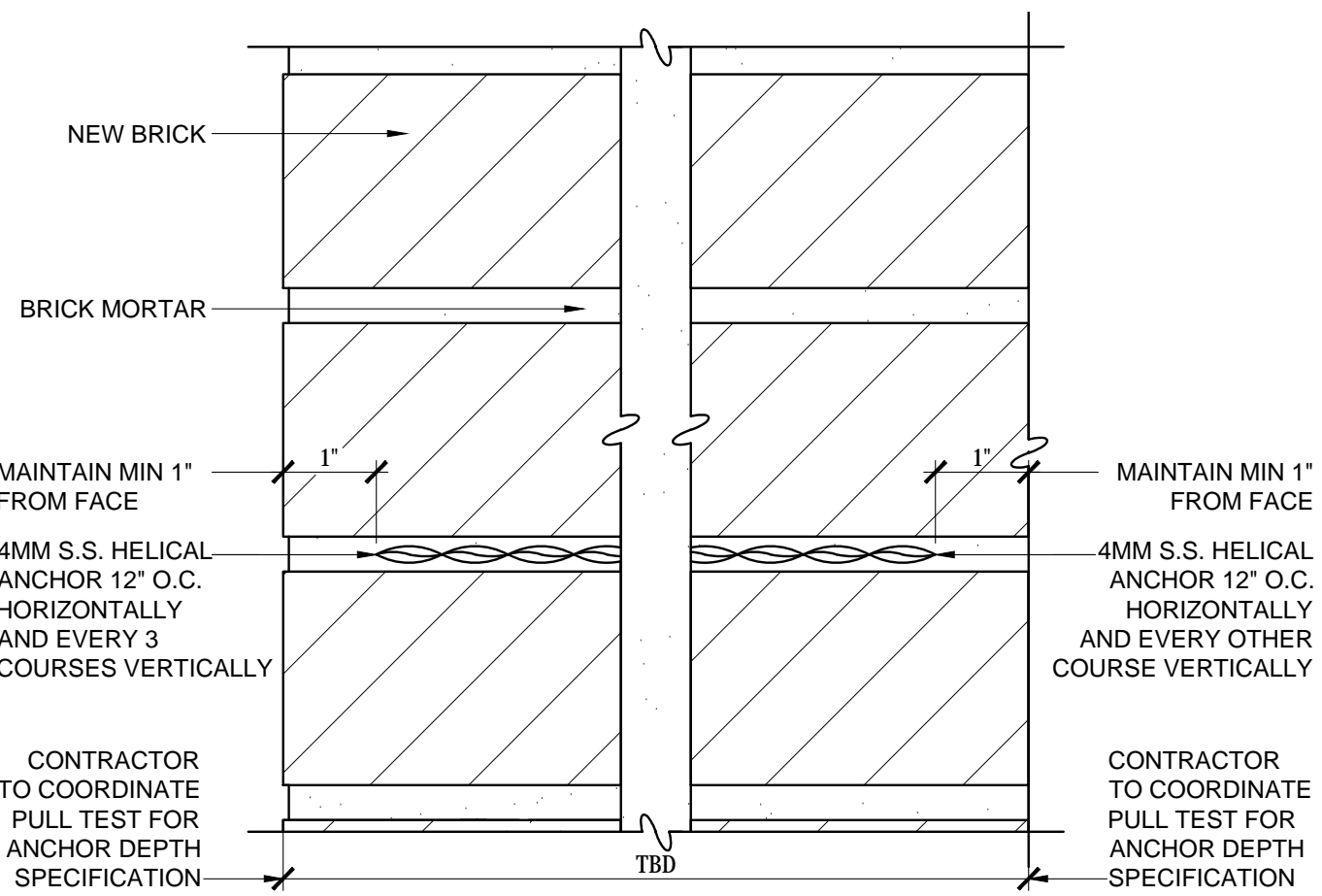
8 BACKER ROD DETAIL AT SILL

10 NOT USED

SCALE: 1"=1"

SCALE: 6"=1"

SCALE: 6"=1"



1 HELICAL WALL TIE INSTALLATION

2 HELICAL CRACK STITCH INSTALLATION

3 MORTAR JOINT ARRIS LINE
BRICK TO BRICK

4 MORTAR JOINT ARRIS LINE
BRICK TO GRANITE

5 MORTAR JOINT ARRIS LINE
GRANITE TO GRANITE

SCALE: 6"=1"

SCALE: 6"=1"

SCALE: 1"=1"

SCALE: 1"=1"

SCALE: 1"=1"