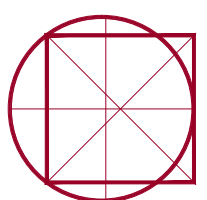


02/01/2016

Building Envelope Specialists
SPECIALIZED BUILDING CONSULTANTS
PO BOX 2589, SOUTH PORTLAND MAINE, 04116
PHONE: 207-400-0086



Episcopal Diocese of Maine
143 State Street Portland
LORING HOUSE
BUILDING ENVELOPE MASONRY REPAIR

REVISIONS

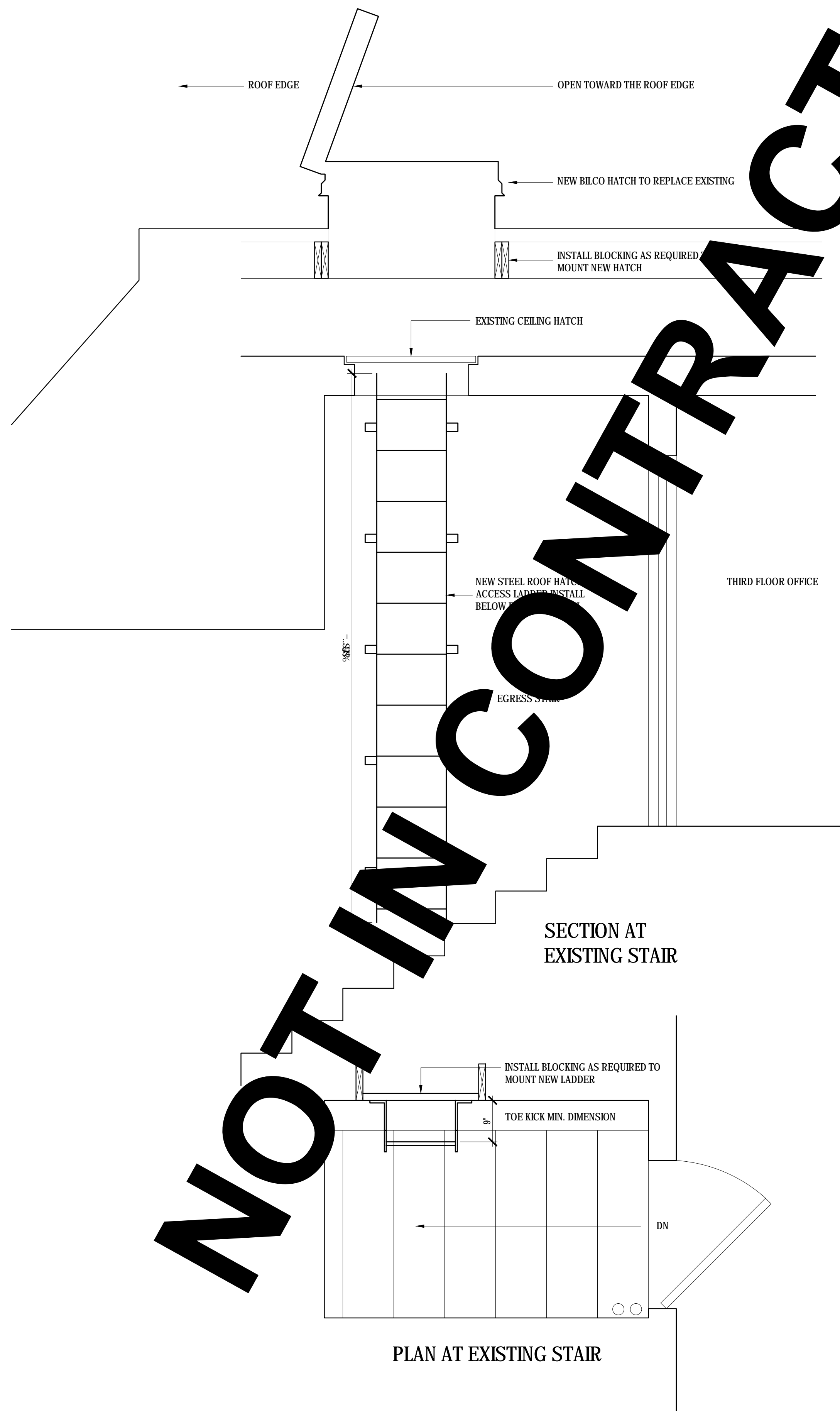
DRAWN BY: RJH
CHECKED BY: DPD
DATE: 02-01-2016
ISSUED: CONSTRUCTION DOCUMENTS

ROOF HATCH DETAILS

A1.4

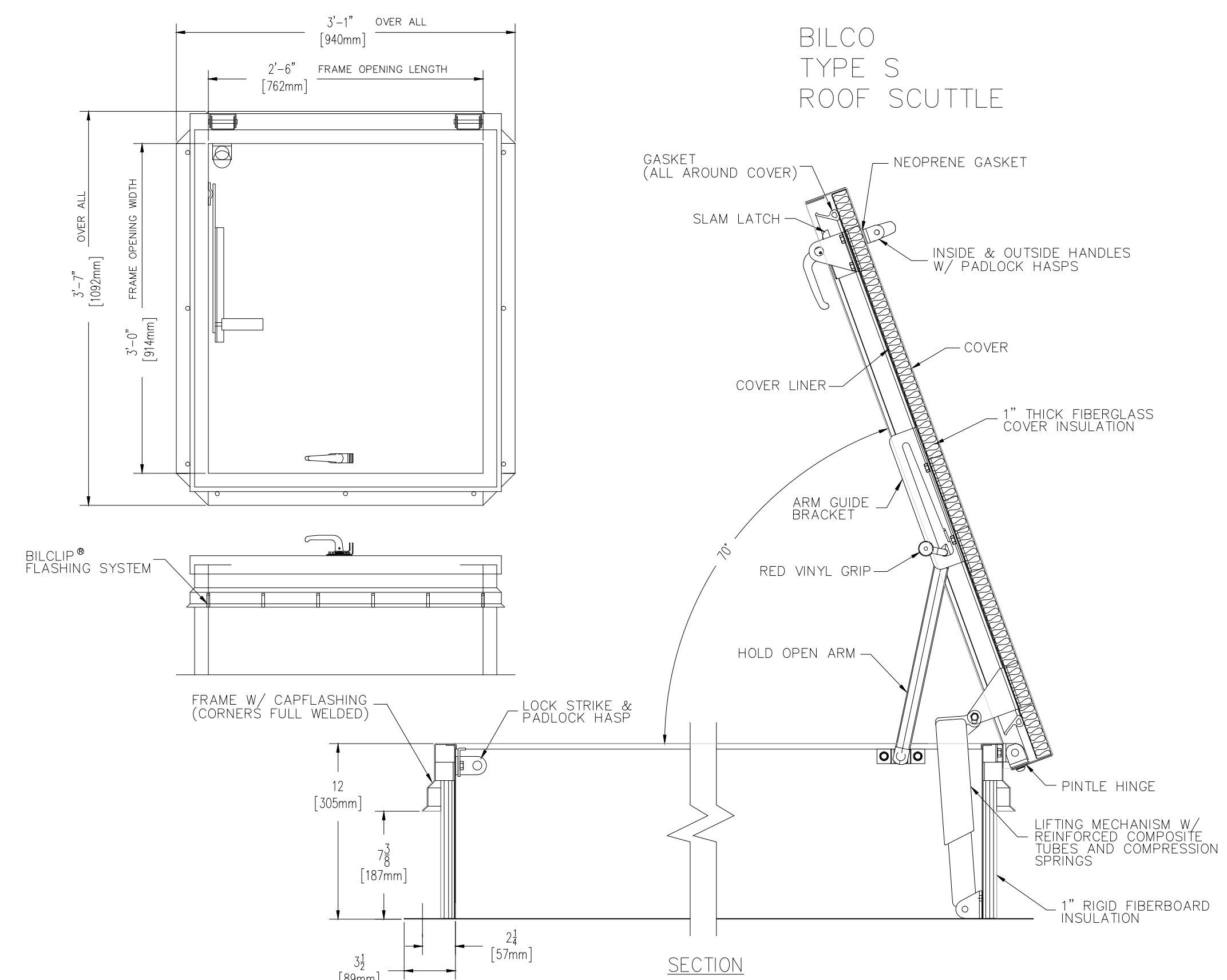
SCALE: AS NOTED
PROJECT NUMBER: 008-15
© BUILDING ENVELOPE SPECIALISTS, INC. 2012

NOT IN CONTRACT



3 NOT USED

SCALE: NTS



1 NOT IN CONTRACT THIRD FLOOR ROOF ACCESS UPGRADE

2 NEW ROOF HATCH DETAIL

SCALE: 6"=1'-0"