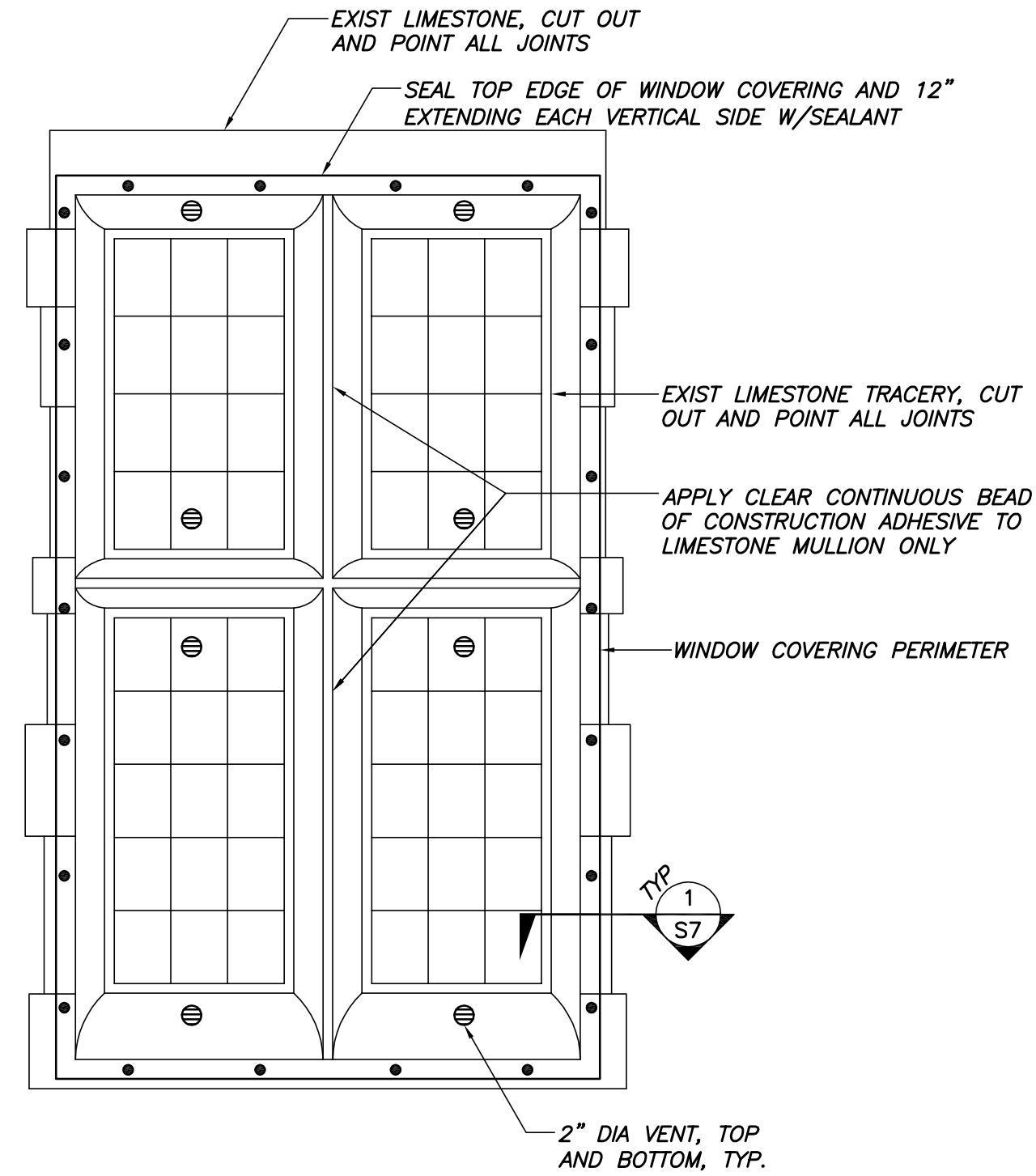
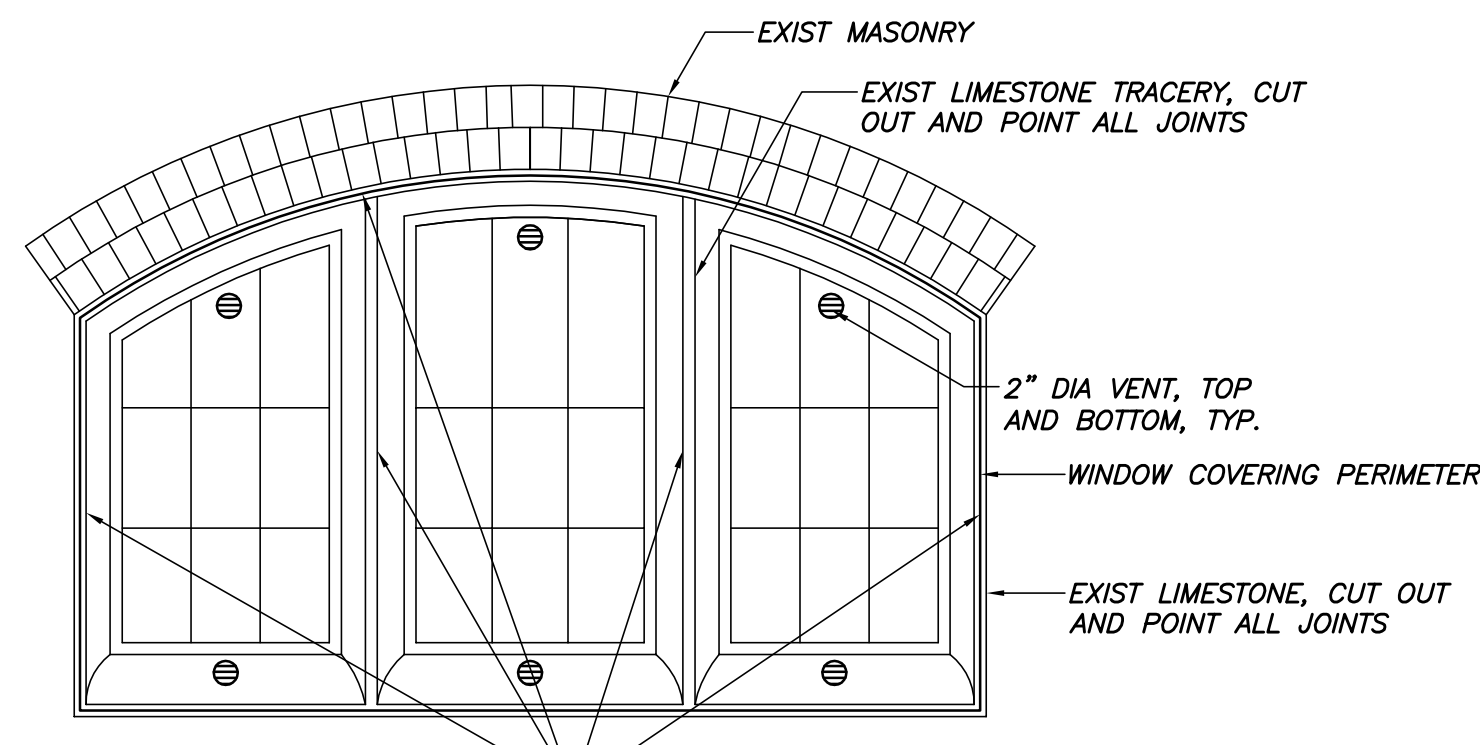


PART OF ADD ALT #1

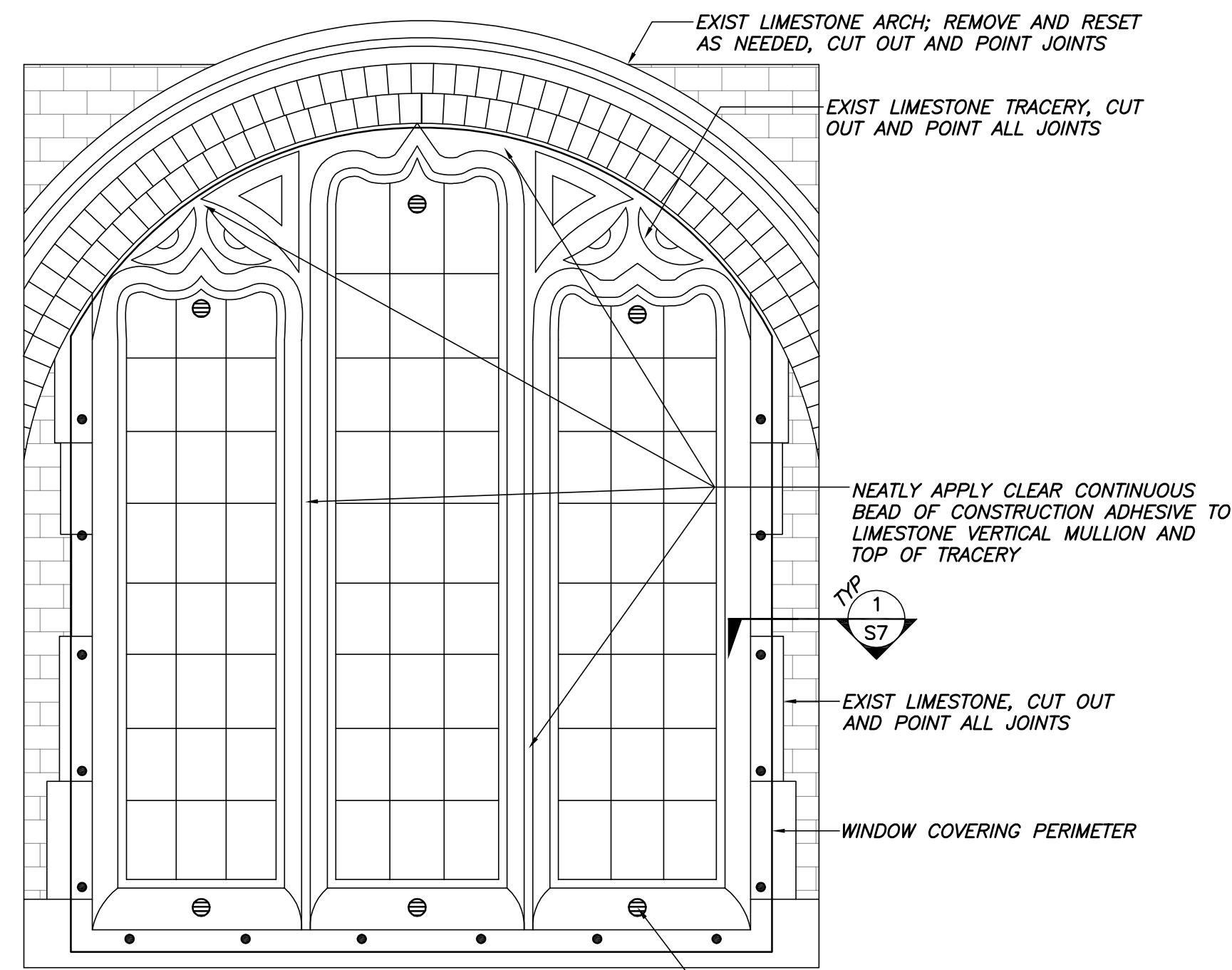
EAST ELEVATION CHAPEL/CLERESTORY WINDOW
3/4" = 1'-0"



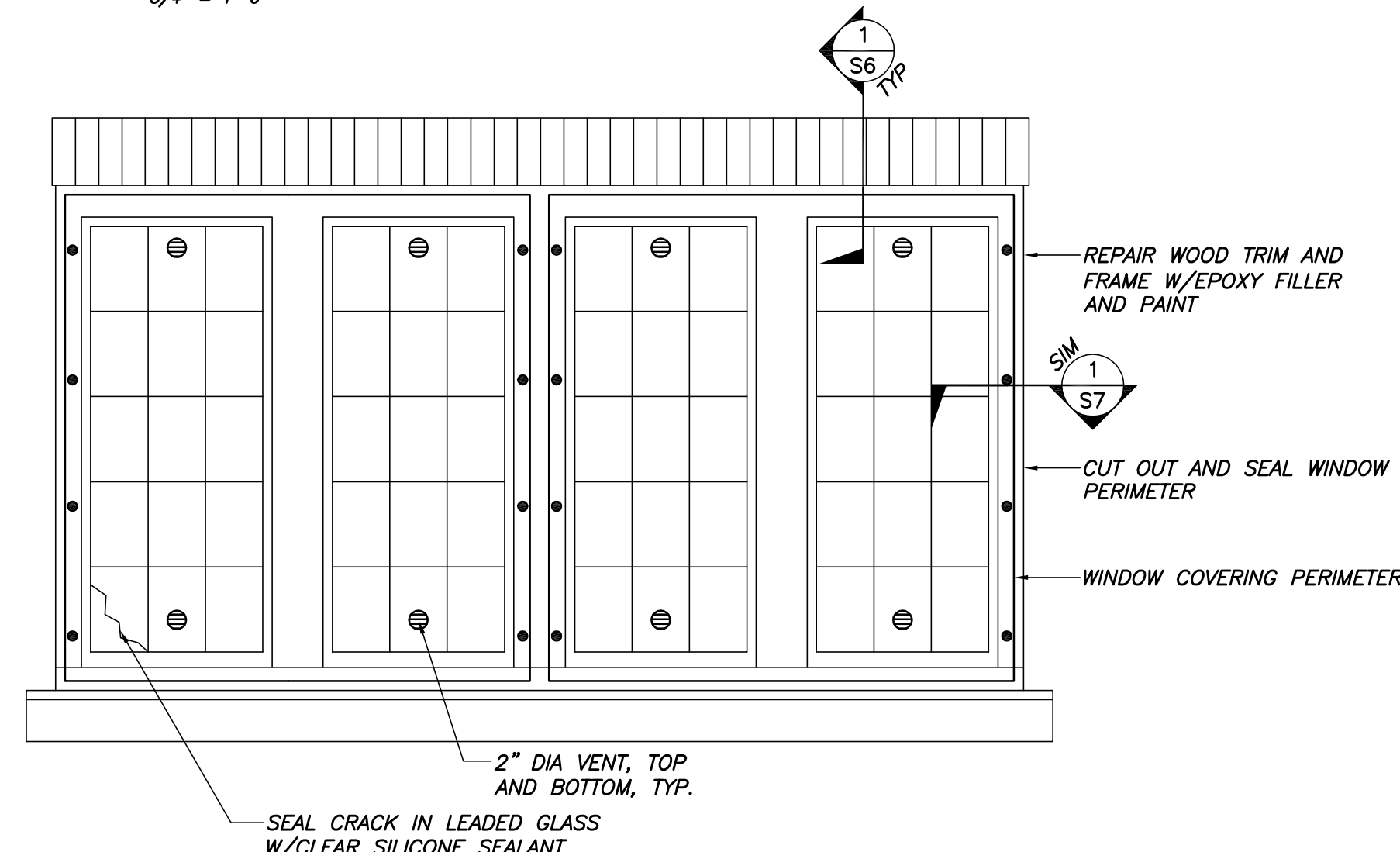
1ST FLOOR CHAPEL/CLERESTORY WINDOW
3/4" = 1'-0"



BASEMENT WINDOW
3/4" = 1'-0"



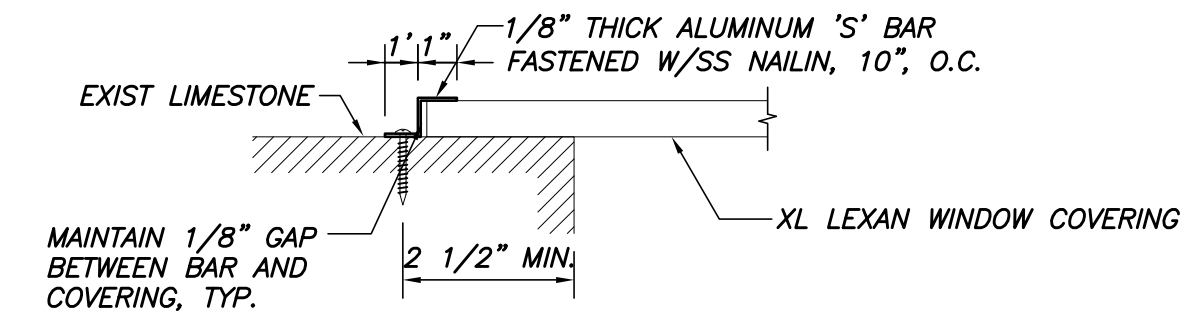
2ND FLOOR CHAPEL/CLERESTORY WINDOW
3/4" = 1'-0"



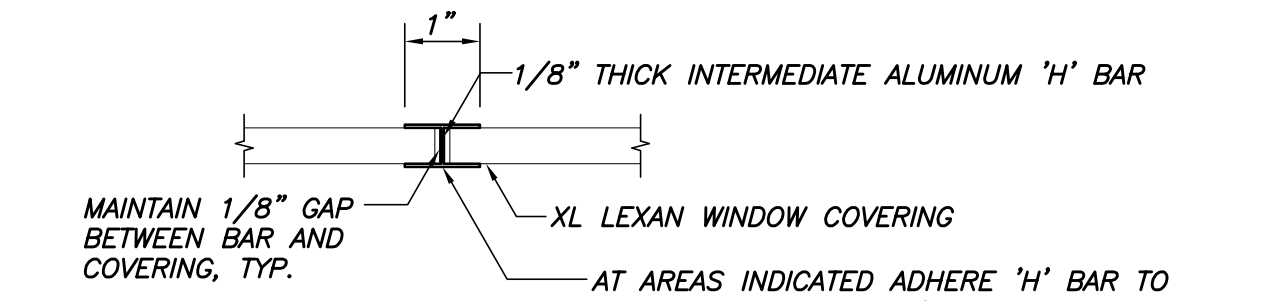
UPPER CHAPEL/CLERESTORY WINDOW
3/4" = 1'-0"

WINDOW COVERING NOTES:

1. REMOVE AND DISPOSE OF EXISTING PLEXIGLASS COVERS.
2. CAREFULLY REMOVE ALL ADHESIVE AND FASTENERS FROM LIMESTONE. PATCH HOLES WITH PATCHING MORTAR.
3. MAINTAIN 1/8" GAP BETWEEN ALUMINUM BAR AND WINDOW COVERING.
4. DO NOT SEAL PERIMETER OF WINDOW COVERING EXCEPT AT THE TOP EDGE AND EXTENDING 12" DOWN EACH SIDE OR UNO.
5. PROVIDE A MINIMUM FASTENER EDGE DISTANCE OF 2 1/2" FROM LIMESTONE EDGE
6. CUT OUT AND POINT ALL LIMESTONE AND TRACERY JOINTS.
7. CUT OUT AND SEAL WOOD WINDOW PERIMETERS.



SECTION 1
NO SCALE
S7



SECTION 2
NO SCALE
S7

THIS DRAWING IS AN INSTRUMENT OF SERVICE AND SHALL REMAIN THE PROPERTY OF BECKER STRUCTURAL ENGINEERS INC. IT SHALL NOT BE REPRODUCED, COPIED, LENT OR DISPOSED OF DIRECTLY OR INDIRECTLY, NOR USED FOR ANY PURPOSE OTHER THAN FOR WHICH IT IS SPECIFICALLY FURNISHED AND MUST BE RETURNED TO BECKER STRUCTURAL ENGINEERS INC. ON COMPLETION OF WORK, IF REQUESTED.

BECKER
STRUCTURAL ENGINEERS
75 Wood Street, Portland, Maine 04101
207.875.8538 • beckerstructural.com

STATE OF MAINE
ETHAN A. RHILE
NO. 10286
REGISTERED PROFESSIONAL ENGINEER

Approved For	JMM JMM
Issued For	90% CONSTRUCTION DOCUMENTS FINAL REVIEW ISSUED FOR BID
Date	5/23/14 8/15/14 9/25/14
Rev. No	1 2 3

STATE STREET CONGREGATIONAL CHURCH
PORTLAND, ME
CHAPEL/CLERESTORY EXTERIOR RENOVATION
REPAIR DETAILS

Designed	JMM	Scale	NOTED
Drawn	MSK	Date	09/25/2014
Checked	EAR	Becker Job Number	3230.01

S7