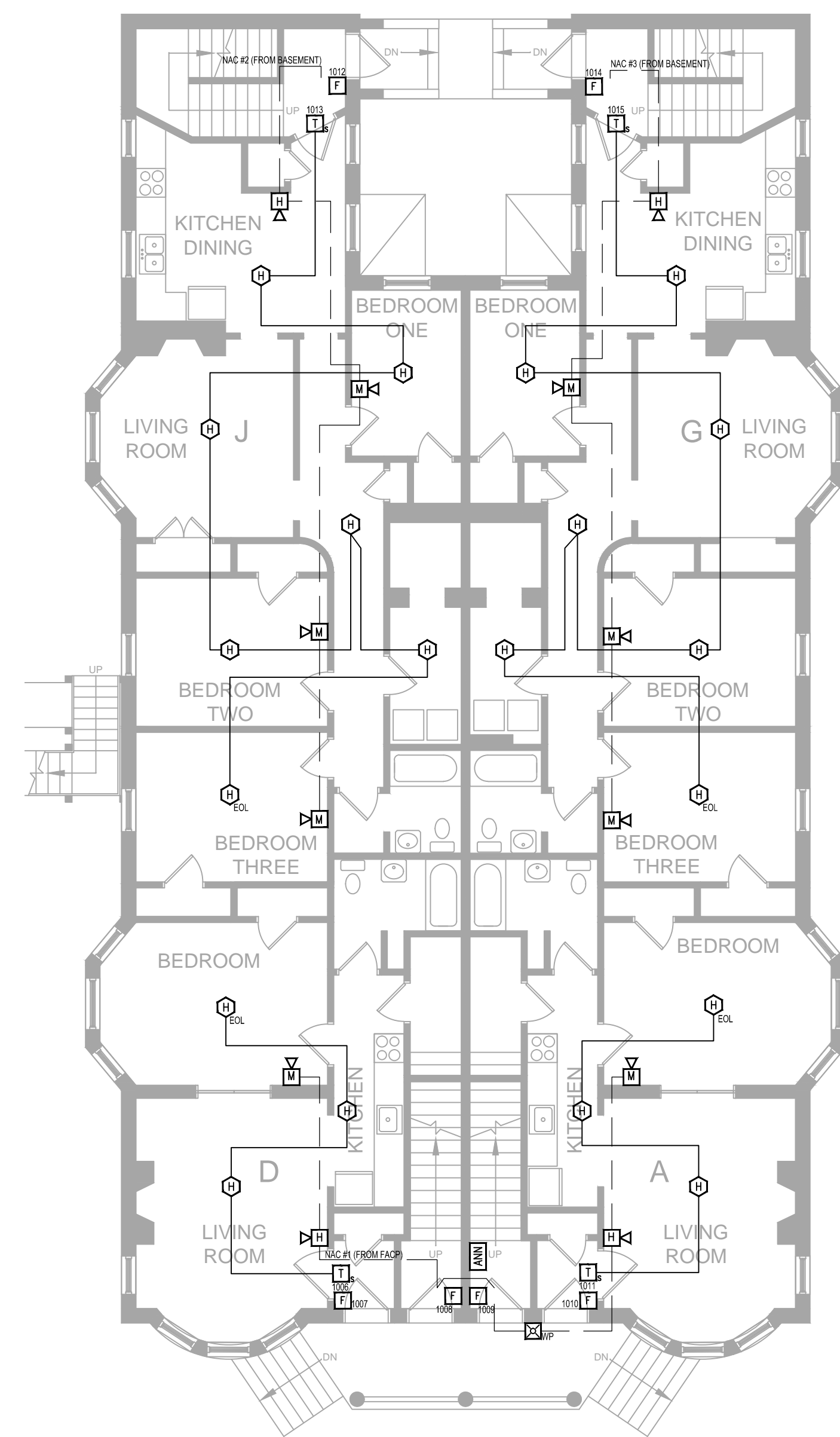


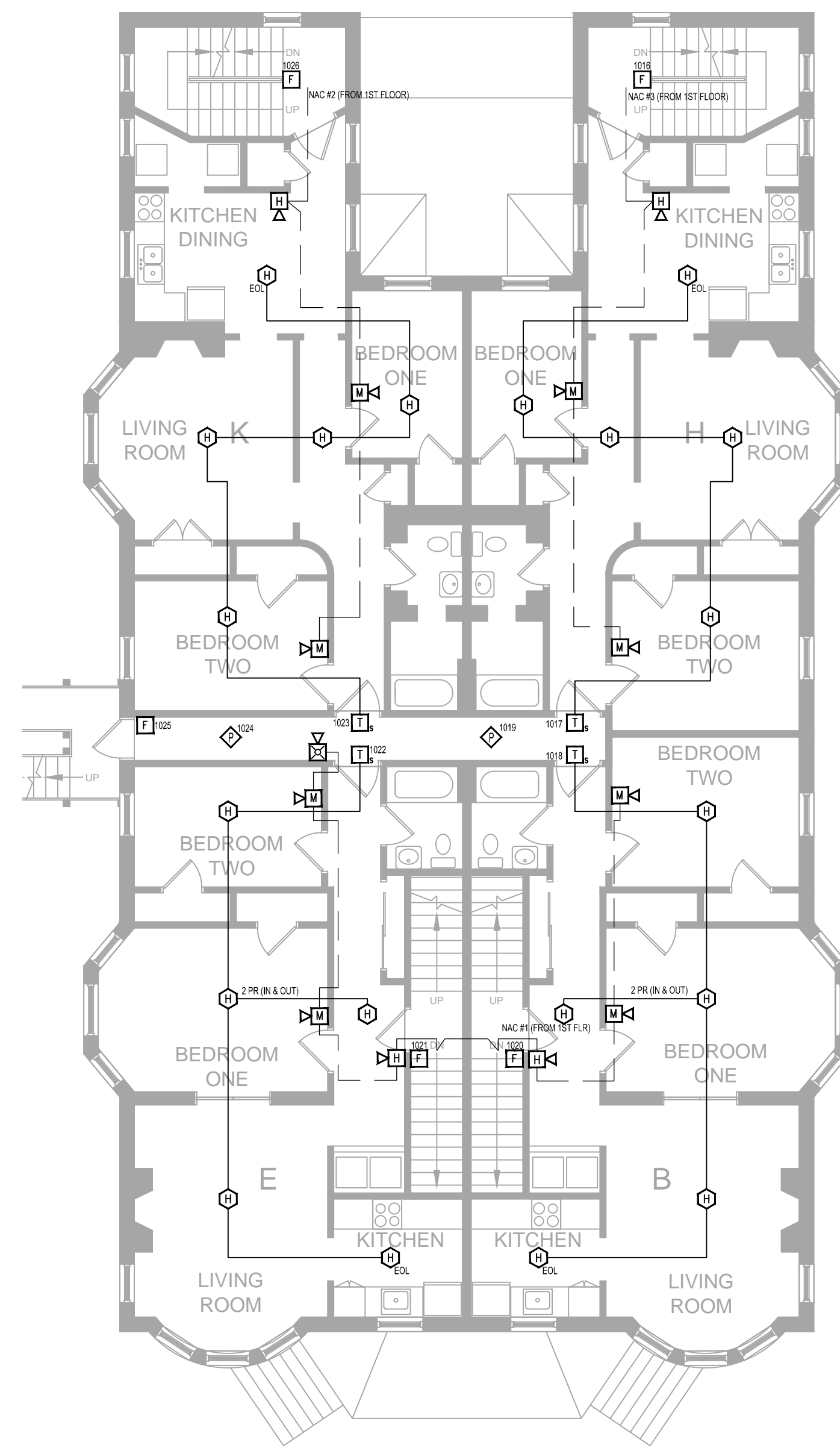
FIRE ALARM SYSTEM LAYOUT - BASEMENT

SCALE: 1/8"=1'



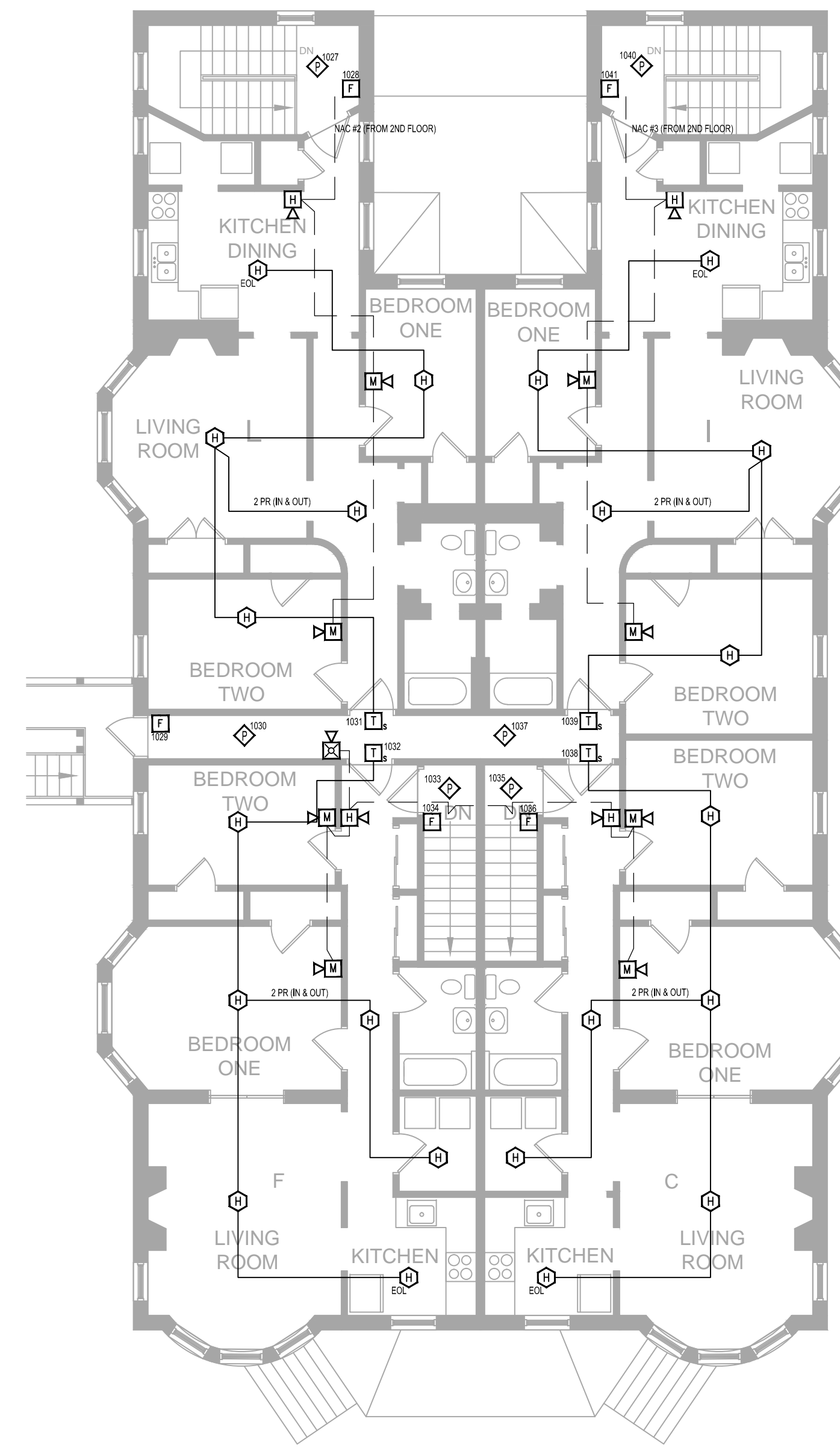
FIRE ALARM SYSTEM LAYOUT - FIRST FLOOR

SCALE: 1/8"=1'



FIRE ALARM SYSTEM LAYOUT - SECOND FLOOR

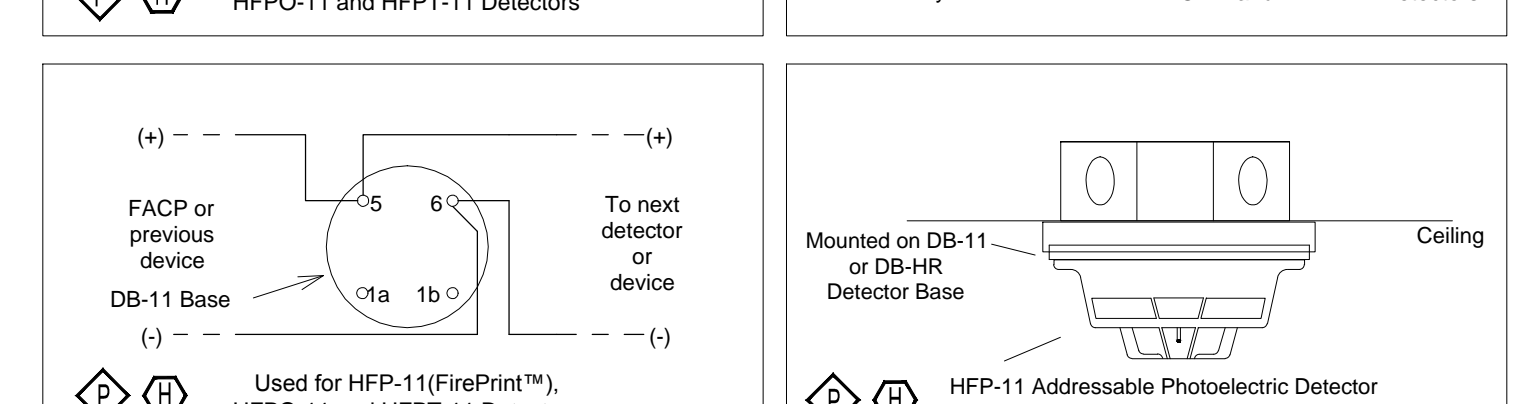
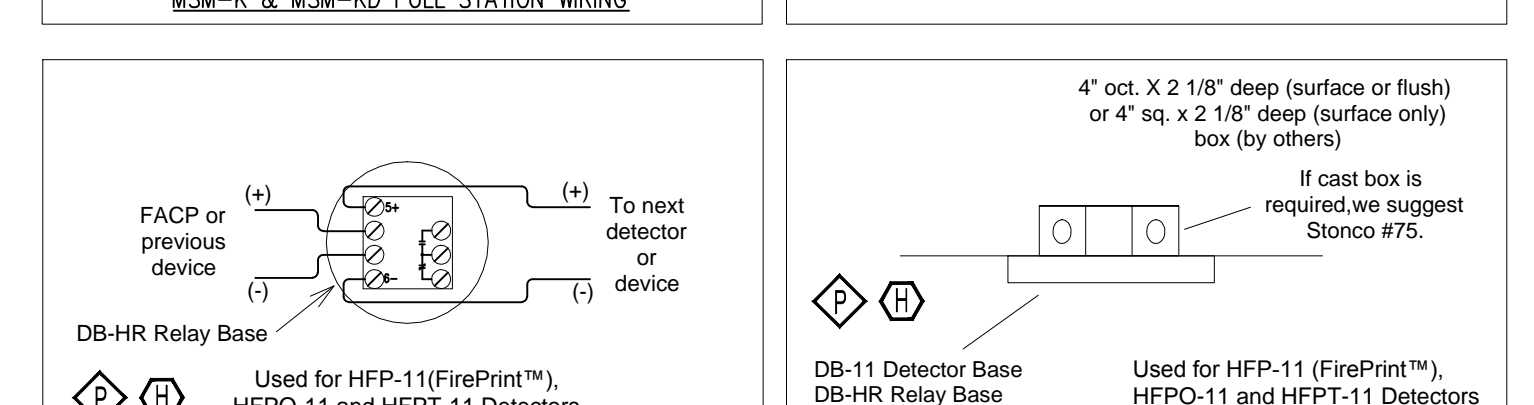
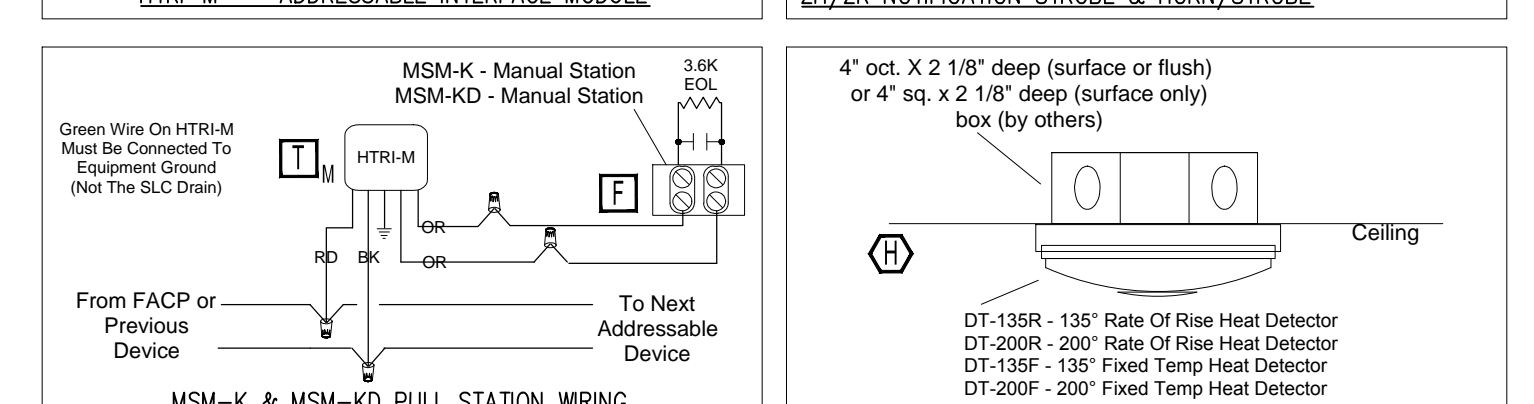
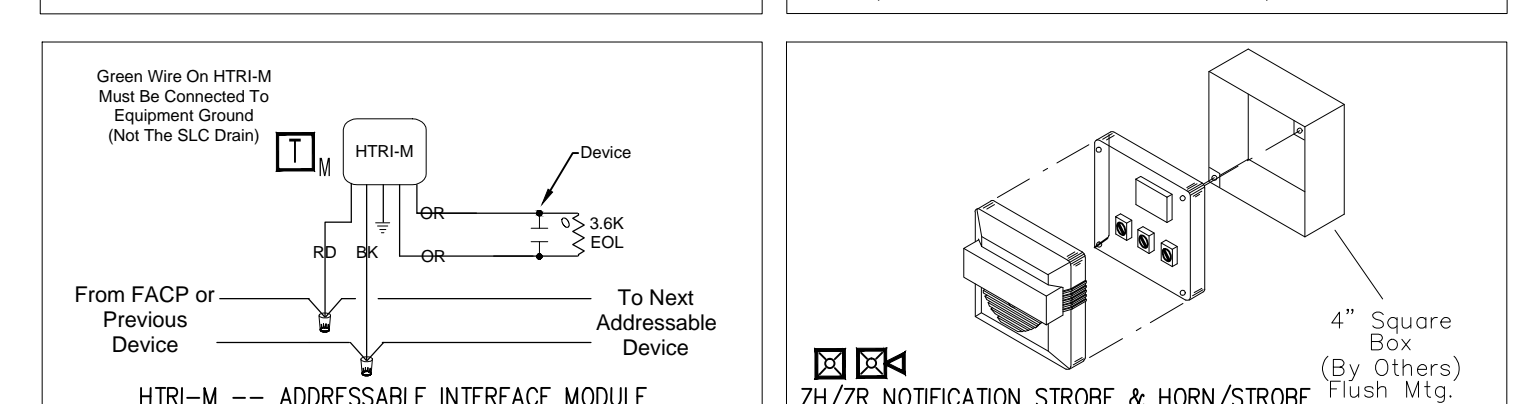
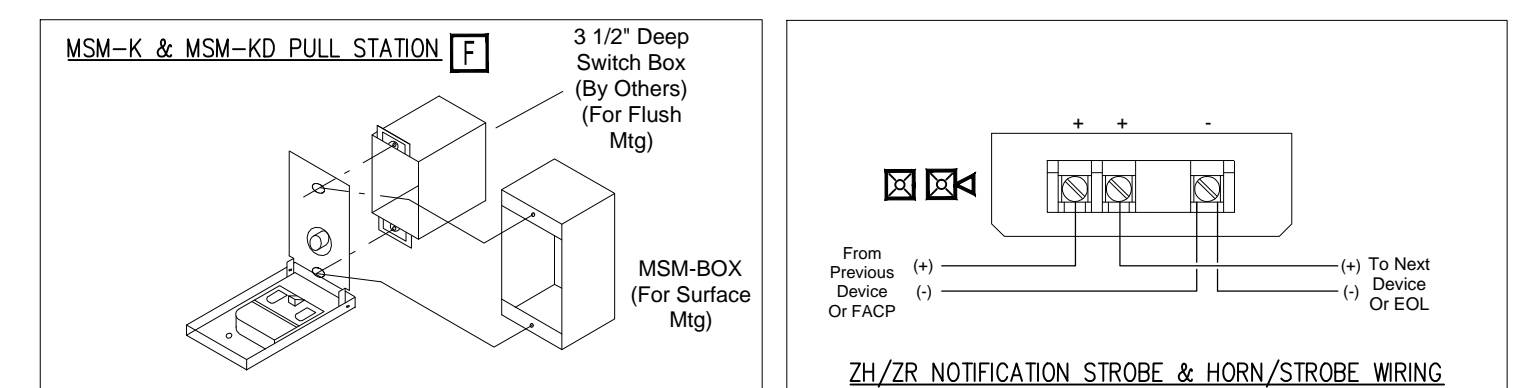
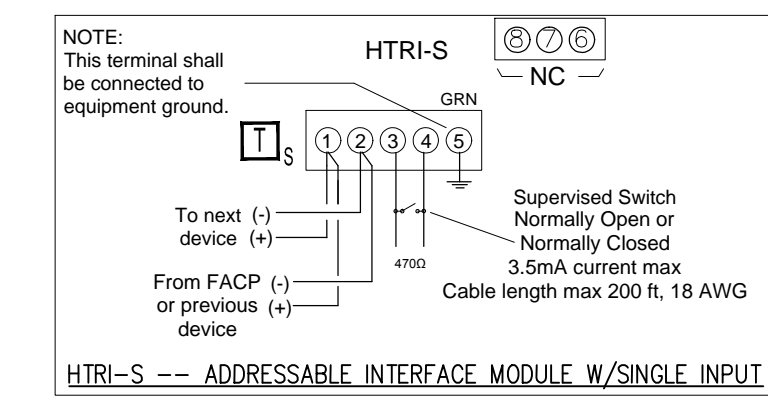
SCALE: 1/8"=1'



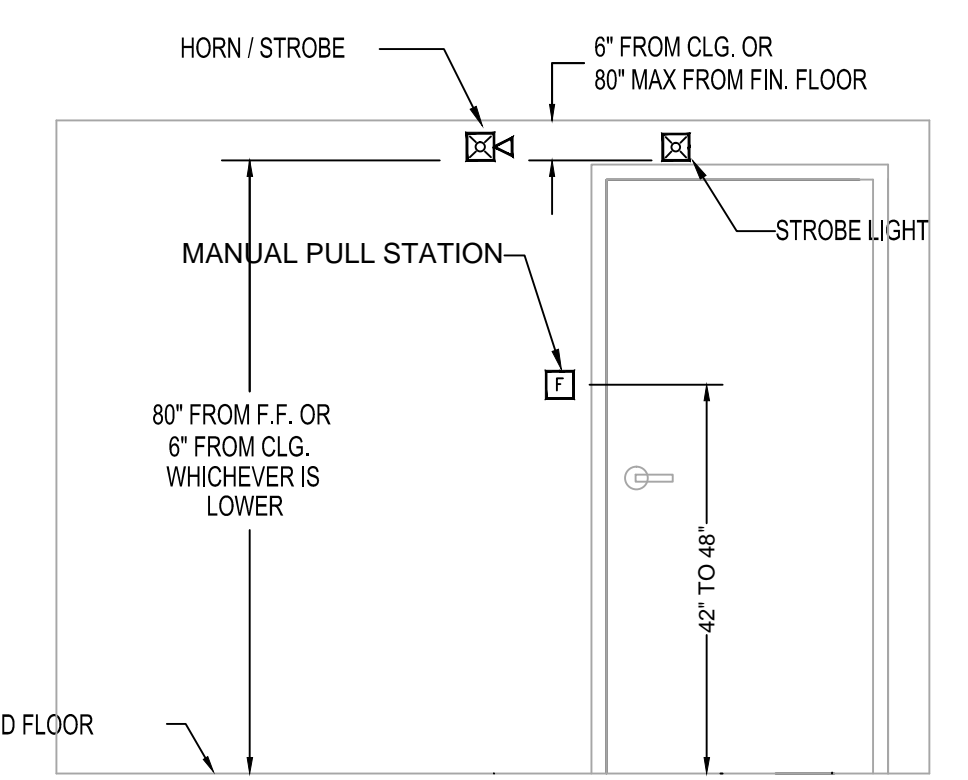
FIRE ALARM SYSTEM LAYOUT - THIRD FLOOR

SCALE: 1/8"=1'

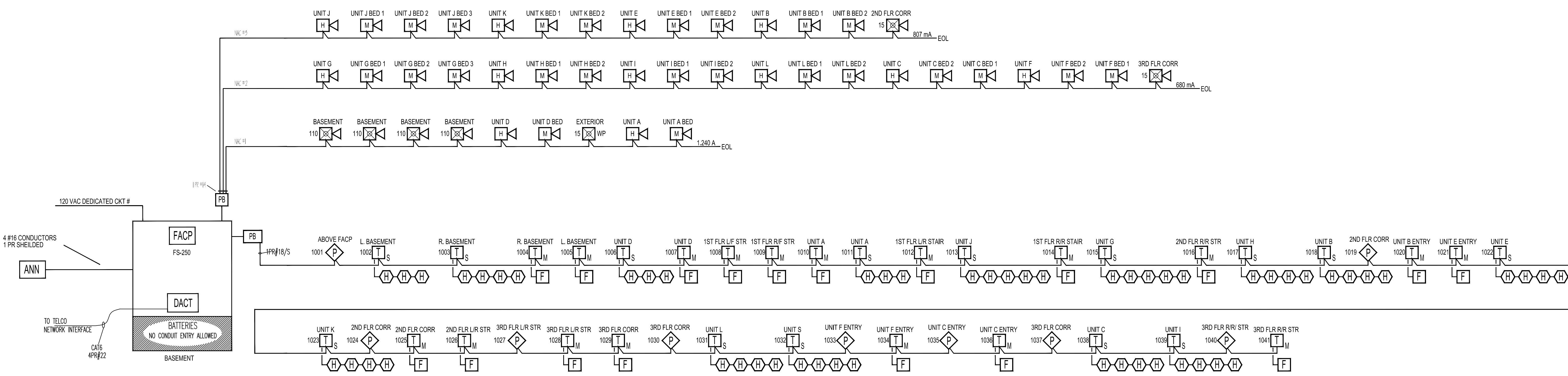
SYMBOL LEGEND				
QUANT.	SYM.	DESCRIPTION	MODEL	BACK BOX
1	[FS-250]	FIRE ALARM CONTROL PANEL	FS-250	
1	[DACT]	DIGITAL COMMUNICATOR	FS-DACT	FACP
1	[ANN]	REMOTE ANNUNCIATOR PANEL	FS-RD2	INCLUDED
9	[HFP-11/DB-11]	CEILING SMOKE DETECTOR/BASE	HFP-11/DB-11	SINGLE GANG OCTAGON BO
56	[DT-135R]	135 DEGREE THERMAL DETECTOR/ BASE	DT-135R	SINGLE GANG OCTAGON BO
18	[MSM-KD/HTRI-M]	MANUAL PULL STATION	MSM-KD/HTRI-M	3.5" DEEP SINGLE GANG
14	[HTRI-S]	SINGLE INPUT MONITOR MODULE	HTRI-S	4" SQUARE E
18	[HTRI-M]	MINI MONITOR MODULE	HTRI-M	
12	[ZH-R]	FIRE ALARM HORN	ZH-R	4" SQUARE
6	[ZH-MC-R]	FIRE ALARM MULTI CANDELLA HORN/STROBE	ZH-MC-R	4" SQUARE
1	[ZH-R]	EXTERIOR STROBE	ZH-R	4" SQUARE
12	[ZH-R]	FIRE ALARM HORN	ZH-R	4" SQUARE
24	[MH-R]	FIRE ALARM MINI HORN	MH-R	4" SQUARE
1	[GS3055-1 CF]	CELLULAR COMMUNICATOR	GS3055-1 CF	



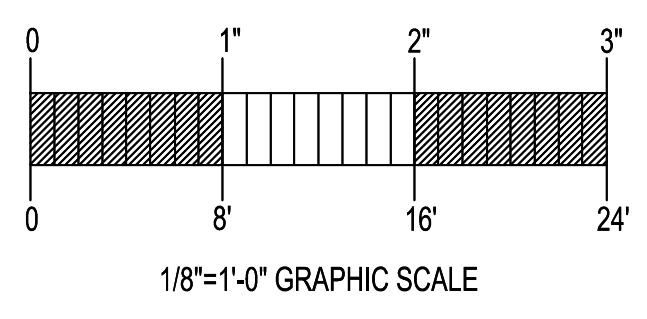
DEVICE MOUNTING & WIRING DETAIL  
SCALE: N.T.S.



TYPICAL DEVICE ELEVATION DETAIL  
NOT TO SCALE



FIRE ALARM RISER DETAIL  
SCALE: N.T.S.



GENERAL NOTES	DATE	REVISIONS	REQUIRED APPROVALS	FIRE ALARM SYST
-SCOPE OF WORK- INSTALL NEW ADDRESSABLE FIRE ALARM SYSTEM. ALL INSTALLATION PRACTICES SHALL COMPLY WITH NFPA 70, 72	4/1/13	REVISED FOR AS BUILT BY CRM	OWNER	PLANS & DETAIL
PHASE I: REPLACE CONTROL PANEL			PORTLAND FIRE DEPARTMENT	DWG. NO. 1 OF 1
PHASE II: INSTALL NEW DEVICES			DRAWN BY CRM	JOB NUMBER
PHASE II TO BE COMPLETED IMMEDIATELY AFTER PHASE I			CHECKED BY MLT	SCALE AS SHOWN
			CONTRACTOR LICENSE #	DATE 1/2/13

CARLTON COURT  
145 SPRING ST.  
PORTLAND, ME

EASTERN FIRE SERVICES, INC.  
AUBURN/LEWISTON INDUSTRIAL AIRPARK, AUBURN, MAINE 04210