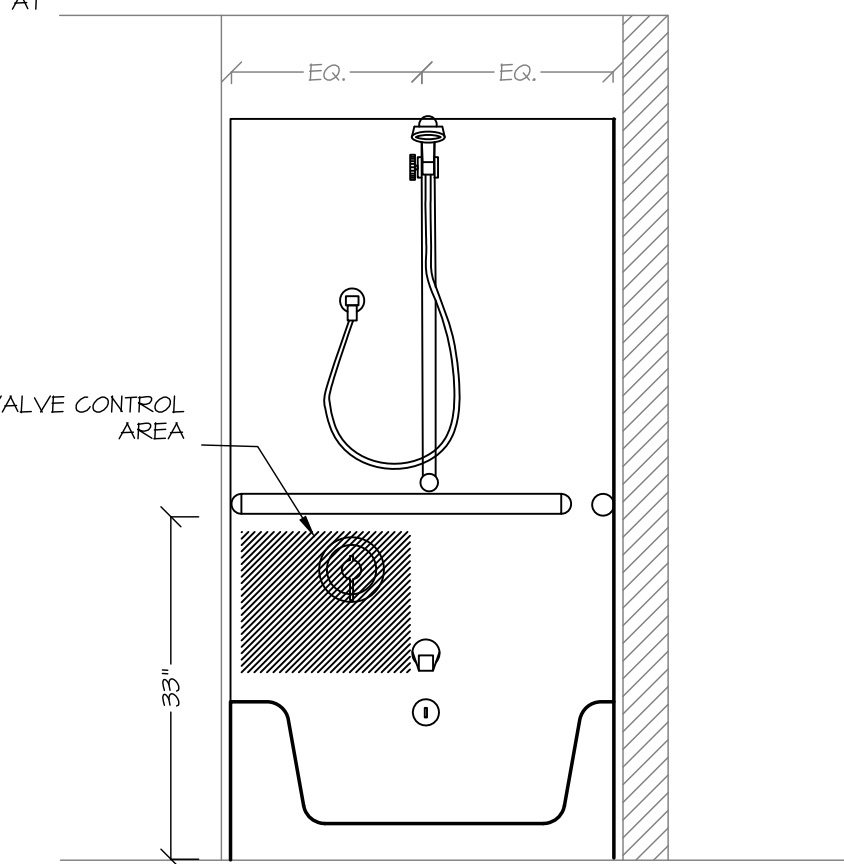
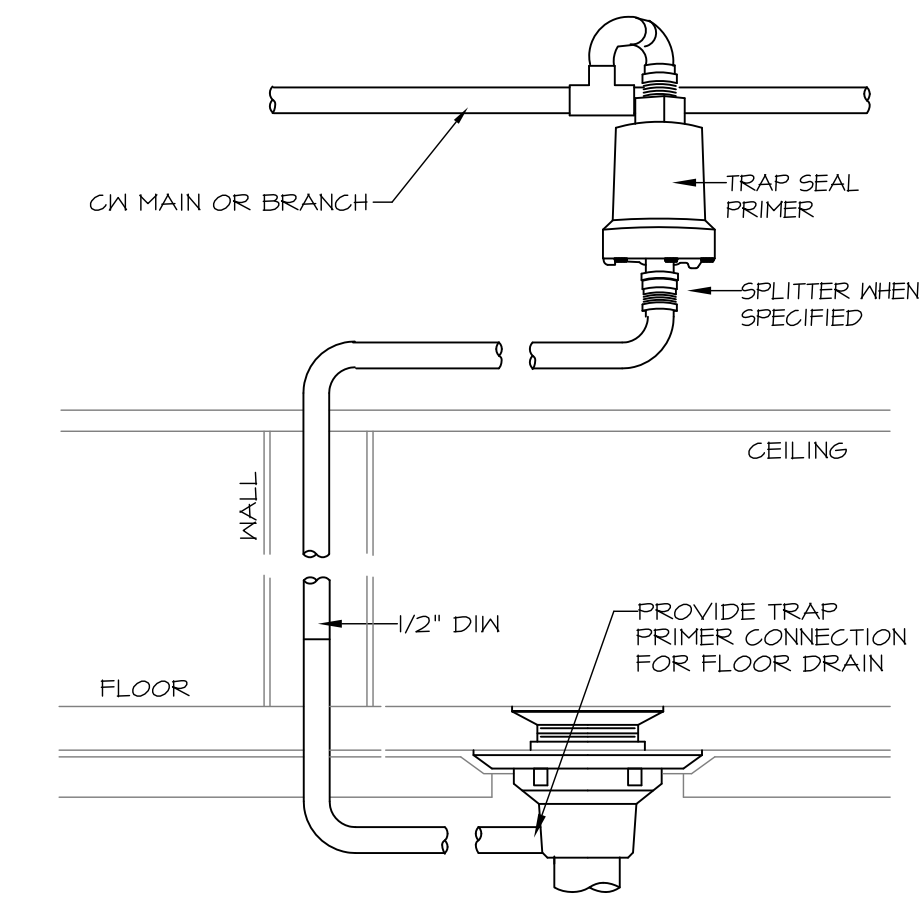


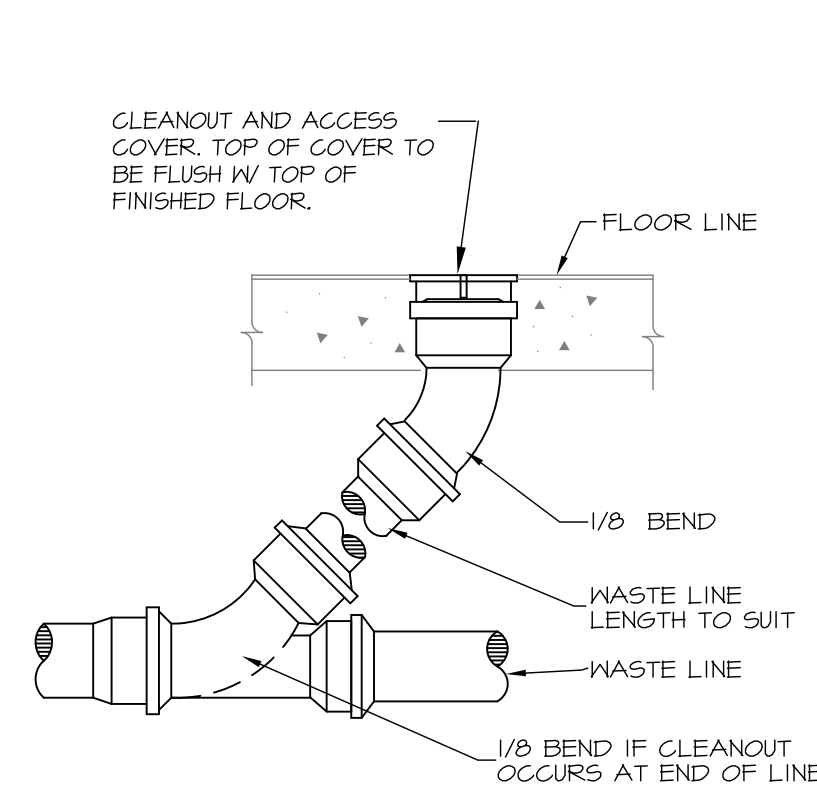
**1**  
 P1  
**HOT WATER TANK PIPING DIAGRAM**  
 SCALE: NONE MAY BE MIRRORED



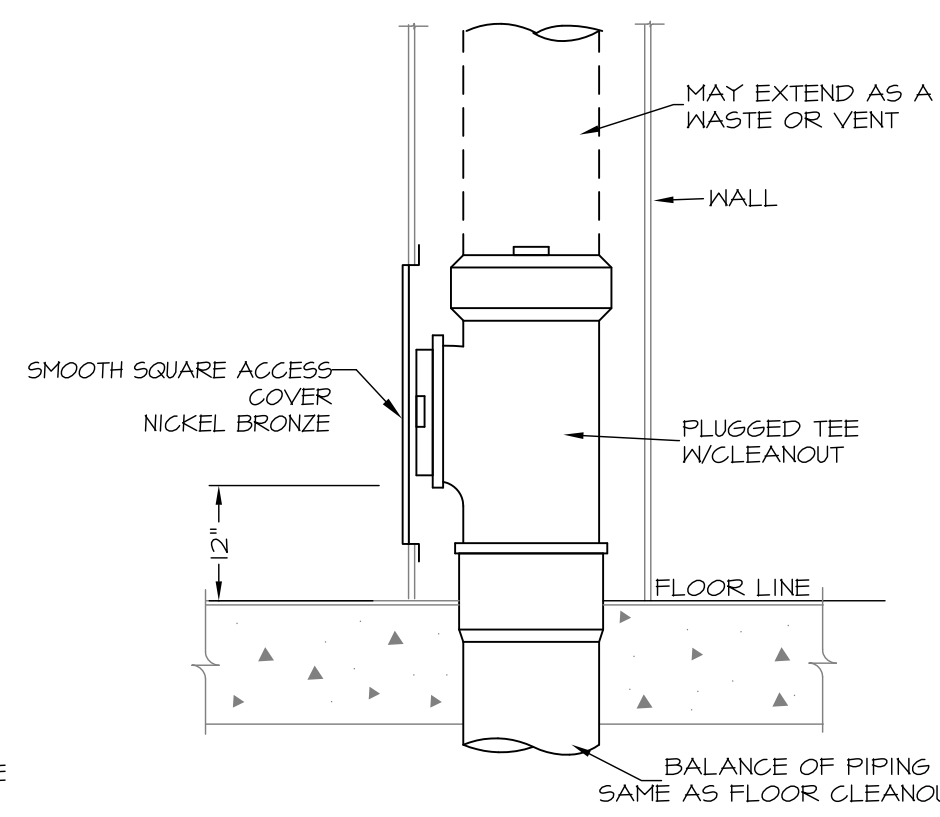
**2**  
 P1  
**ADA TUB/SHOWER CONTROL LOCATION**  
 SCALE: NONE



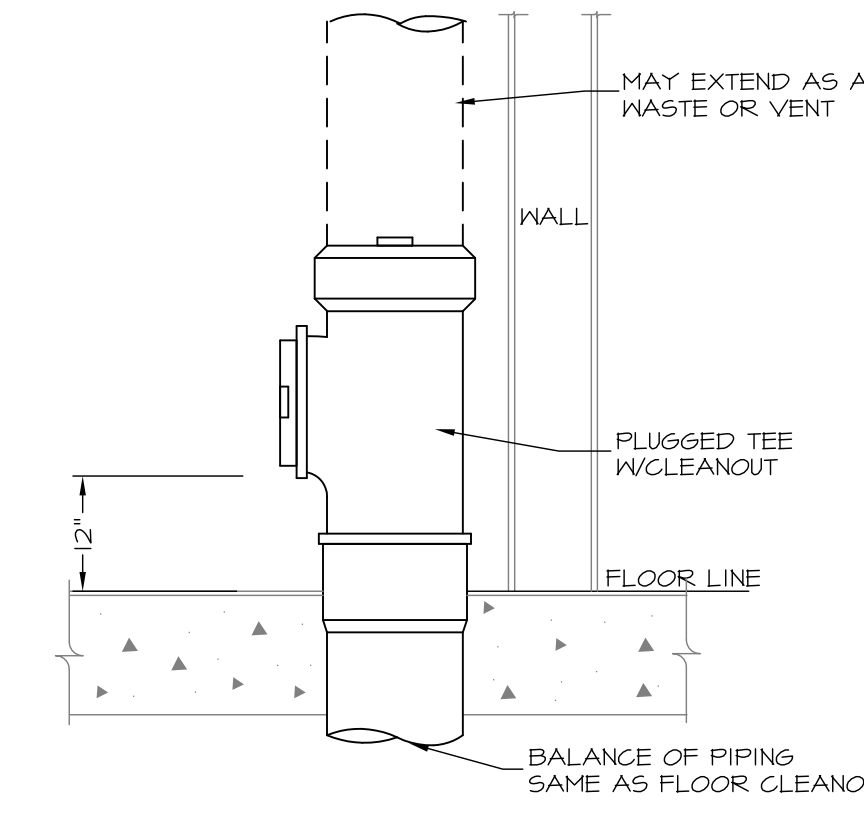
**3**  
 P2  
**TP-1 TRAP SEAL PRIMER DETAIL**  
 SCALE: NONE



**4**  
 TYP  
**FLOOR CLEAN OUT DETAIL**  
 SCALE: NONE



**5**  
 TYP  
**WALL CLEAN OUT DETAIL**  
 SCALE: NONE



**6**  
 TYP  
**EXPOSED CLEAN OUT DETAIL**  
 SCALE: NONE



Prepared For:  
**DEVELOPERS COLLABORATIVE**  
 100 COMMERCIAL STREET  
 PORTLAND, ME 04101

Consulting Engineer:  
**MECHANICAL SYSTEMS ENGINEERS**  
 ROYAL RIVER CENTER, UNIT 108  
 FOREST FALLS, 02038  
 FACEBOOK: MECHANICAL SYSTEMS ENGINEERS  
 © COPYRIGHT 2015

Architect:  
**ARCHETYPE architects**  
 48 Union Wharf Portland, Maine 04101  
 (207) 773-6022 ARCHETYPE@ARCHETYPEPA.COM

Project:  
**ROSA TRUE APARTMENTS**  
 140 PARK STREET, PORTLAND, ME

Revisions:  
 Progress Print

Date: 23 JULY 2015  
 Scale: 1/8" = 1'-0"  
**PLUMBING DETAILS**

FOR PERMITTING ONLY  
 NOT A CONTRACT DOCUMENT



**P3**