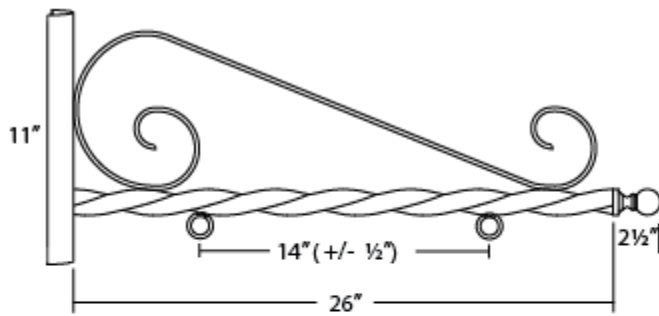


# 24-inch Curved Mount Scroll Bracket - Ball Finial

**SKU: X-BR-CMSB-24**

The traditional twisted steel scroll bracket is a Metalcraft original masterpiece. This decorative wrought iron style sign bracket is hand-crafted from a twisted tubular aluminum shaft, adorned with classic flat bar scroll ironwork and is topped off with a classic ball finial. It can easily handle light weight and medium weight signs, such as steel and aluminum blanks, ACP, MaxMetal, or moderately sized dimensional signage. This stylish swinging sign bracket complements architecture found in historic districts, downtown shopping areas and even on town square. It is the perfect solution for hanging signs up to 24 inches in width. The rounded back plate is perfect for mounting on round poles with a diameter of 3 to 6 inches.



Approximately 28 1/2" long, overall  
1 3/8" diameter twisted shaft  
11"H x 2-1/2"W x 3/16" thick back plate  
Two 5/16" diameter holes for mounting

Custom sizes and designs available  
on request. Please call or e-mail  
to speak with one of our product  
experts.