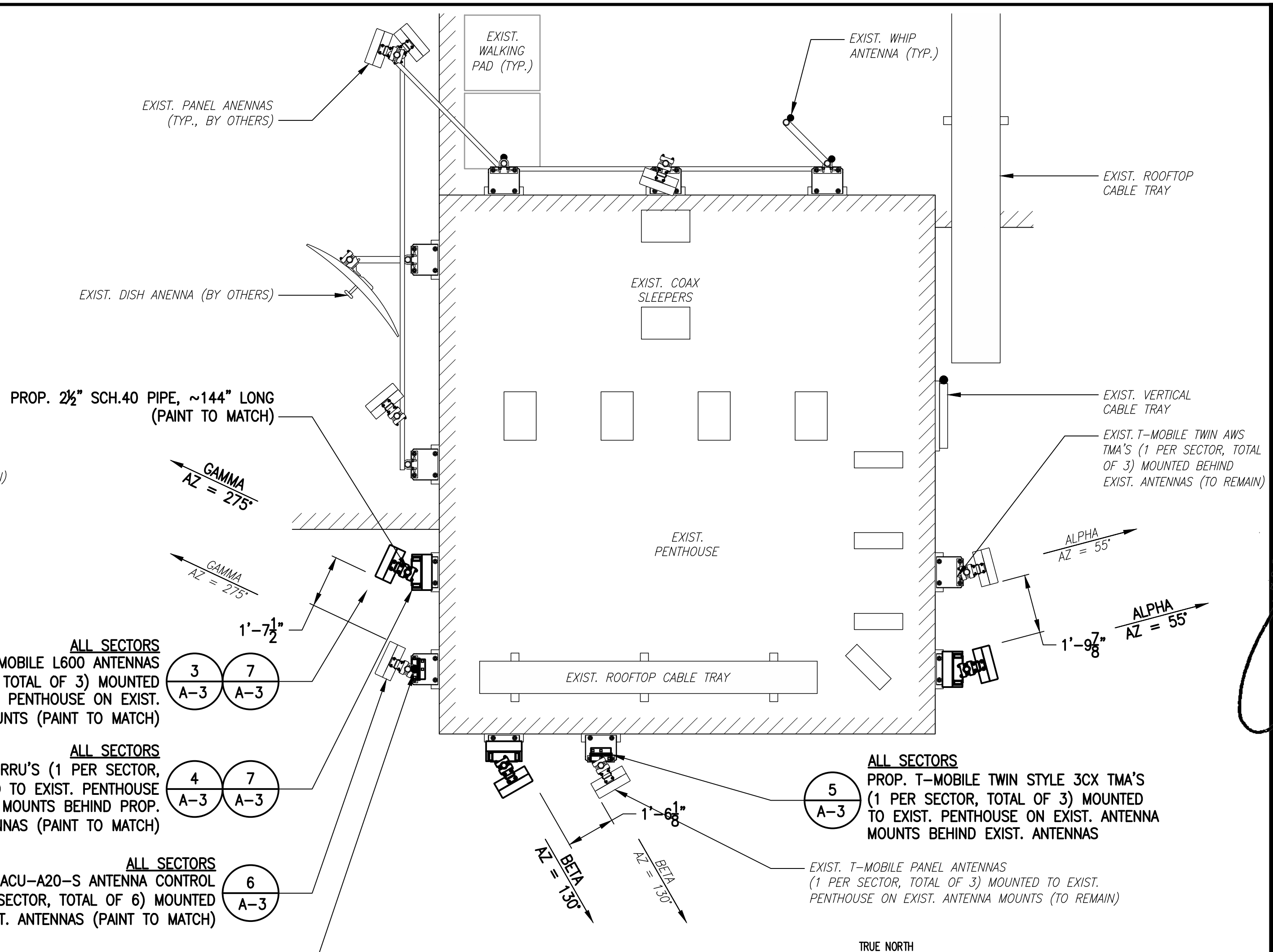
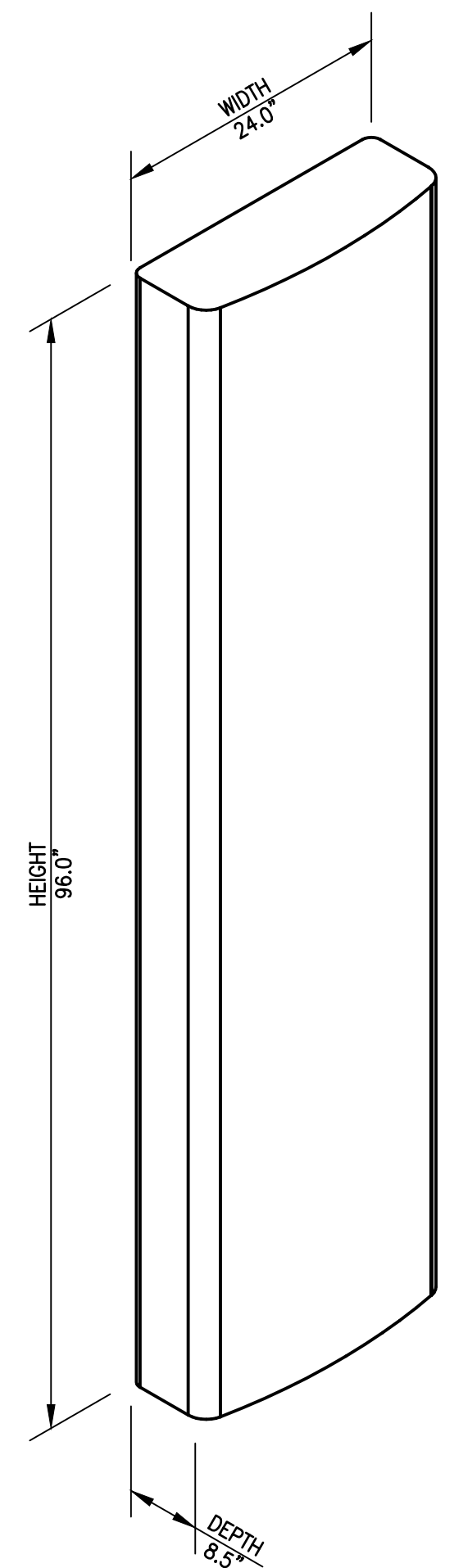


EXIST. ANTENNA PLAN
SCALE: 3/8" = 1'-0"
1
A-3



PROP. ANTENNA PLAN
SCALE: 3/8" = 1'-0"
2
A-3



RES APXVAA24 43-U-A20 PANEL ANTENNA
DIMENSIONS: 96.0"H x 24.0"W x 8.5"D
WEIGHT: 101.4 LBS
1 PER SECTOR, TOTAL OF 3



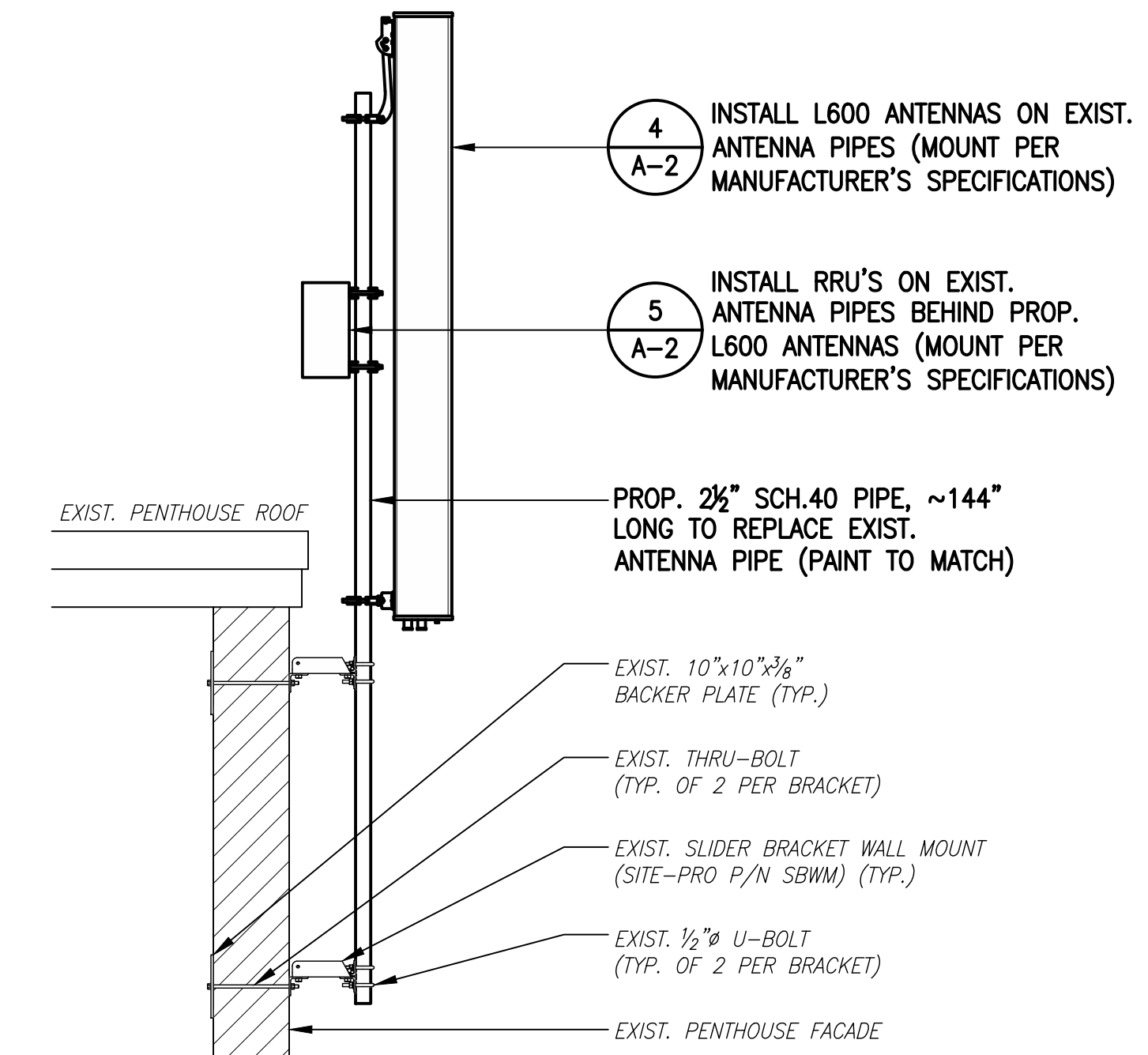
ERICSSON 4478 B71 RRU
DIMENSIONS: 15.0"H x 13.2"W x 7.4"D
WEIGHT: 60.0 LBS
1 PER SECTOR, TOTAL OF 3



RFS AWS/PCS STYLE 3CX ATMA4P4DBP-1A20 TMA
DIMENSIONS: 11.2"H x 8.0"W x 4.9"D
WEIGHT: 7.19 LBS
1 PER SECTOR, TOTAL OF 3



RFS ACU-A20-S ANTENNA CONTROL UNIT
DIMENSIONS: 4.0"H x 1.6"W x 3.5"D
WEIGHT: 1.25 LBS
2 PER SECTOR, TOTAL OF 6



ANTENNA MOUNTING DETAIL
SCALE: 1/2" = 1'-0"
7
A-3

ANTENNA DETAIL
SCALE: N.T.S.
3
A-3

RRU DETAIL
SCALE: N.T.S.
4
A-3

TMA DETAIL
SCALE: N.T.S.
5
A-3

RET CONTROL DETAIL
SCALE: N.T.S.
6
A-3

APPROVALS

STRUCTURE OWNER _____

LEASING _____

R.F. _____

ZONING _____

CONSTRUCTION _____

A/E _____

PROJECT NO: 4PB1259A

DRAWN BY: CMC

CHECKED BY: JMT

VERSION

NO.	DATE	DESCRIPTION
3	07/24/17	CONSTRUCTION FINAL
2	07/14/17	CONSTRUCTION FINAL
1	07/13/17	CONSTRUCTION
0	06/22/17	CONSTRUCTION REVIEW

THIS DOCUMENT IS THE CREATION, DESIGN, PROPERTY AND COPYRIGHTED WORK OF T-MOBILE NORTHEAST LLC. ANY DUPLICATION OR USE WITHOUT EXPRESS WRITTEN CONSENT IS STRICTLY PROHIBITED. DUPLICATION AND USE BY GOVERNMENT AGENCIES FOR THE PURPOSES OF CONDUCTING THEIR LAWFULLY AUTHORIZED REGULATORY AND ADMINISTRATIVE FUNCTIONS IS SPECIFICALLY ALLOWED.

4PB1259A
PB259/COMFAC-LAFAYETTE
638 CONGRESS STREET
PORTLAND, ME 04101

SHEET TITLE
ANTENNA DETAILS

SHEET NUMBER
A-3