

APPROVALS

STRUCTURE OWNER \_\_\_\_\_

LEASING \_\_\_\_\_

R.F. \_\_\_\_\_

ZONING \_\_\_\_\_

CONSTRUCTION \_\_\_\_\_

A/E \_\_\_\_\_

PROJECT NO: 4PB1259A

DRAWN BY: CMC

CHECKED BY: JMT

VERSION

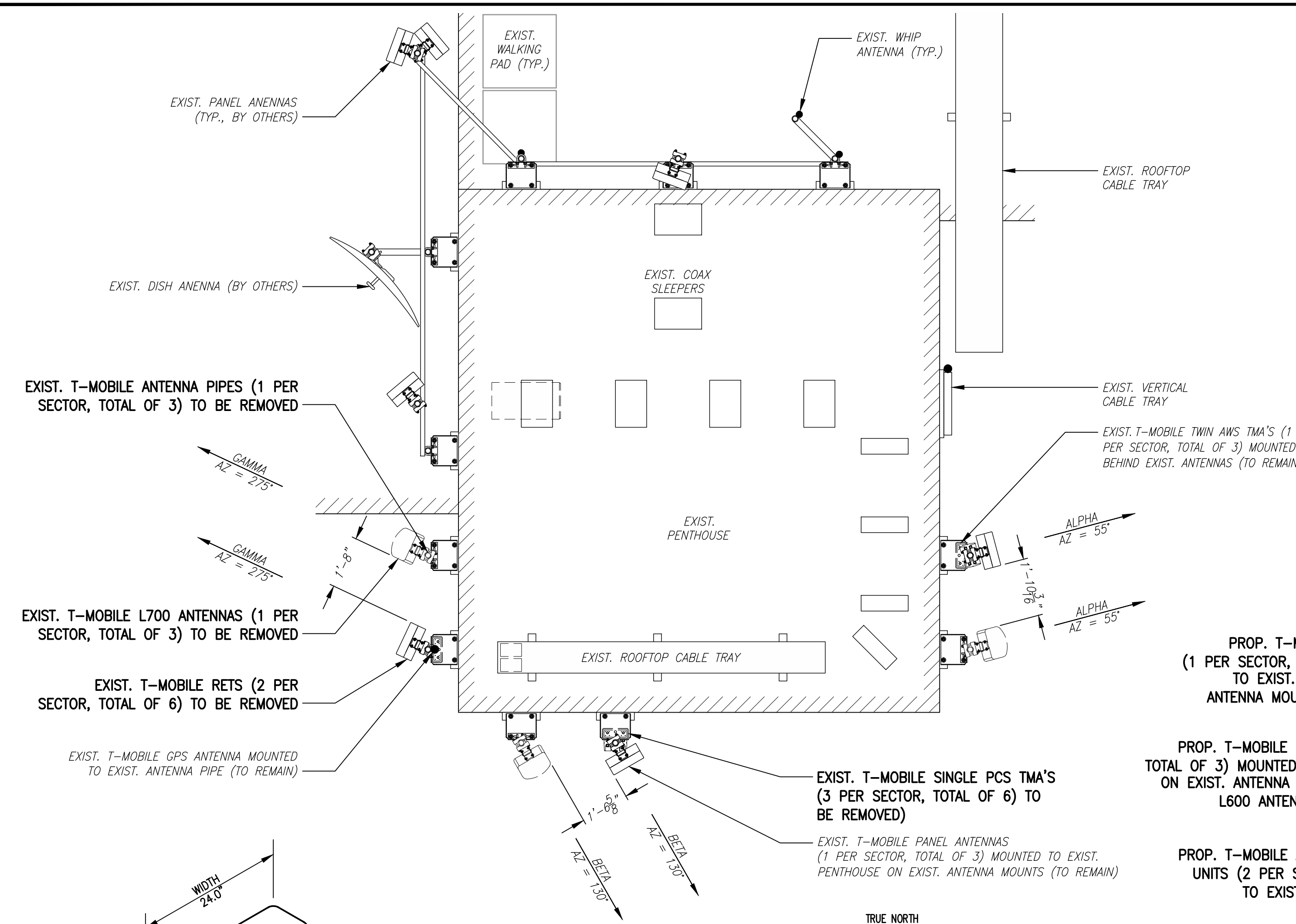
3	07/24/17	CONSTRUCTION FINAL
2	07/14/17	CONSTRUCTION FINAL
1	07/13/17	CONSTRUCTION
0	06/22/17	CONSTRUCTION REVIEW

THIS DOCUMENT IS THE CREATION, DESIGN, PROPERTY AND COPYRIGHTED WORK OF T-MOBILE NORTHEAST LLC. ANY DUPLICATION OR USE WITHOUT EXPRESS WRITTEN CONSENT IS STRICTLY PROHIBITED. DUPLICATION AND USE BY GOVERNMENT AGENCIES FOR THE PURPOSES OF CONDUCTING THEIR LAWFULLY AUTHORIZED REGULATORY AND ADMINISTRATIVE FUNCTIONS IS SPECIFICALLY ALLOWED.

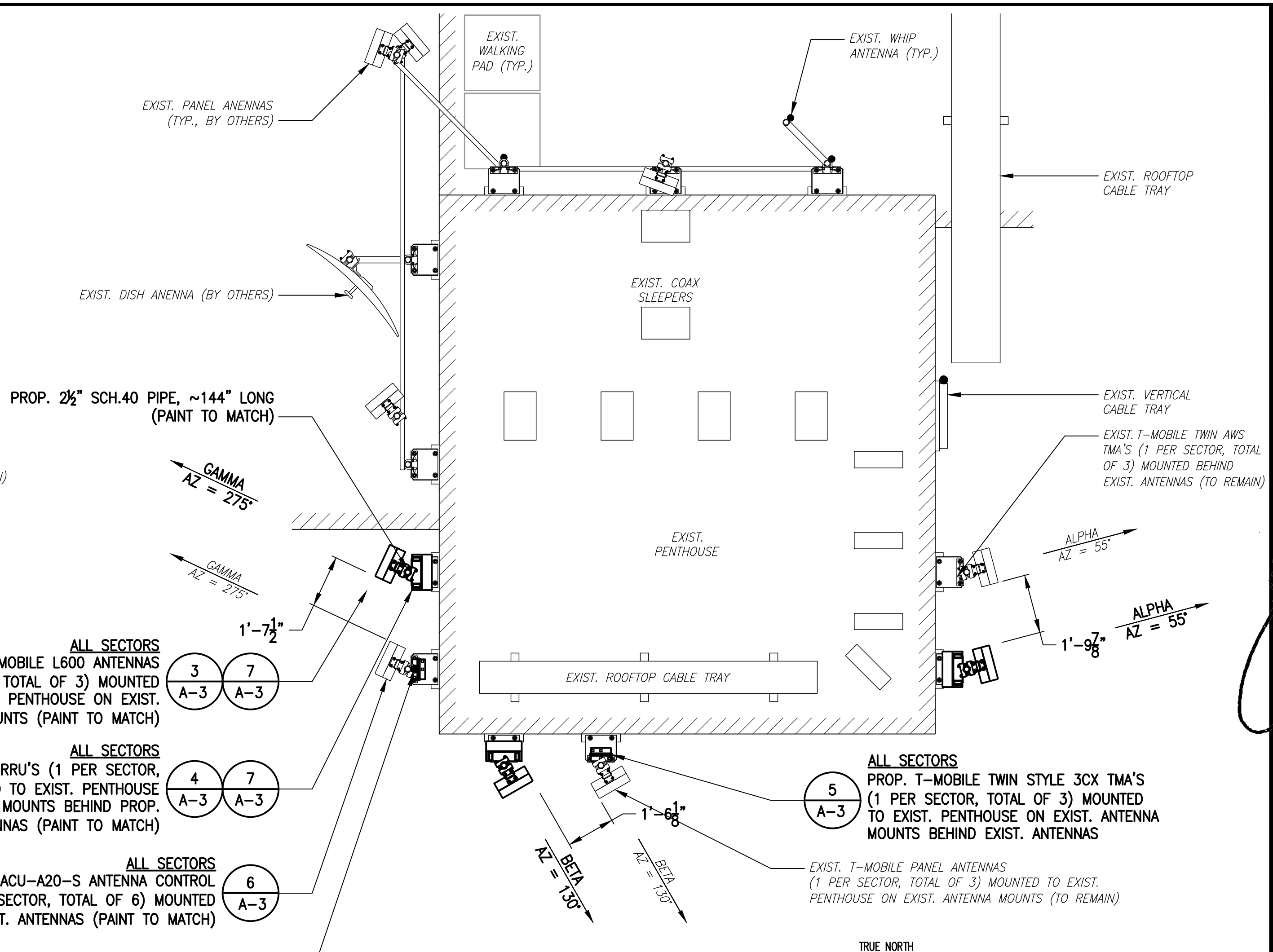
4PB1259A  
PB259/COMFAC-LAFAYETTE  
638 CONGRESS STREET  
PORTLAND, ME 04101

SHEET TITLE  
ANTENNA DETAILS

SHEET NUMBER  
A-3



**EXIST. ANTENNA PLAN**  
SCALE: 3/8" = 1'-0"  
1  
A-3



**PROP. ANTENNA PLAN**  
SCALE: 3/8" = 1'-0"  
2  
A-3

ALL SECTORS  
PROP. T-MOBILE L600 ANTENNAS  
(1 PER SECTOR, TOTAL OF 3) MOUNTED  
TO EXIST. PENTHOUSE ON EXIST.  
ANTENNA MOUNTS (PAINT TO MATCH)

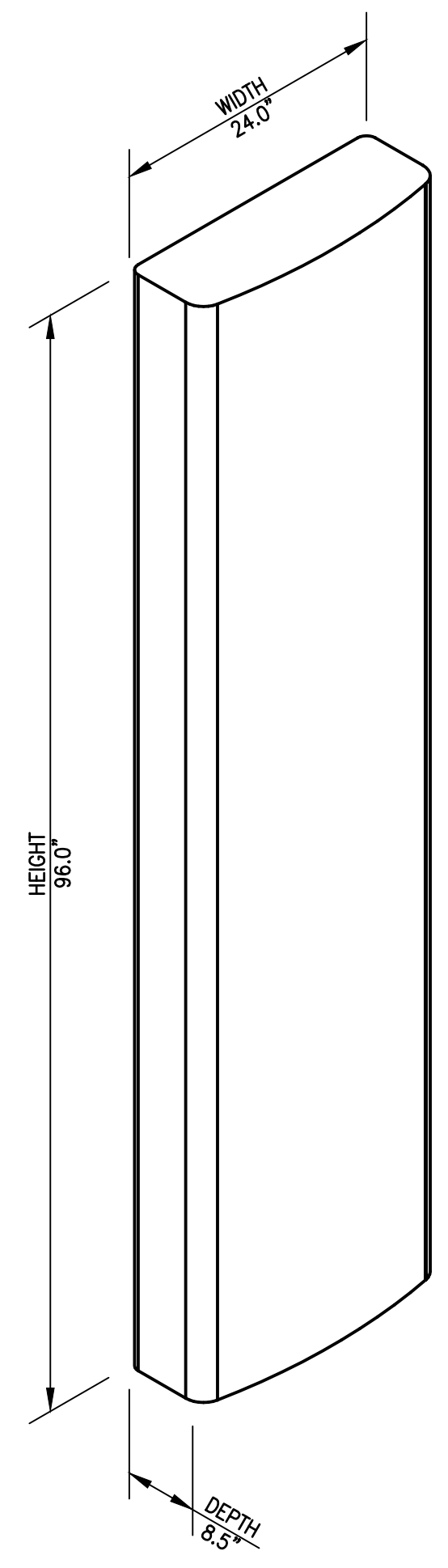
ALL SECTORS  
PROP. T-MOBILE RRU'S (1 PER SECTOR,  
TOTAL OF 3) MOUNTED TO EXIST. PENTHOUSE  
ON EXIST. ANTENNA MOUNTS BEHIND PROP.  
L600 ANTENNAS (PAINT TO MATCH)

ALL SECTORS  
PROP. T-MOBILE ACU-A20-S ANTENNA CONTROL  
UNITS (2 PER SECTOR, TOTAL OF 6) MOUNTED  
TO EXIST. ANTENNAS (PAINT TO MATCH)

EXIST. T-MOBILE GPS ANTENNA MOUNTED  
TO EXIST. ANTENNA PIPE (TO REMAIN)

ALL SECTORS  
PROP. T-MOBILE TWIN STYLE 3CX TMA'S  
(1 PER SECTOR, TOTAL OF 3) MOUNTED  
TO EXIST. PENTHOUSE ON EXIST. ANTENNA  
MOUNTS BEHIND EXIST. ANTENNAS

EXIST. T-MOBILE PANEL ANTENNAS  
(1 PER SECTOR, TOTAL OF 3) MOUNTED TO EXIST.  
PENTHOUSE ON EXIST. ANTENNA MOUNTS (TO REMAIN)



RES APXVAA24\_43-U-A20 PANEL ANTENNA  
DIMENSIONS: 96.0"H x 24.0"W x 8.5"D  
WEIGHT: 101.4 LBS  
1 PER SECTOR, TOTAL OF 3

**ANTENNA DETAIL**  
SCALE: N.T.S.  
3  
A-3



ERICSSON 4478\_B71\_RRU  
DIMENSIONS: 15.0"H x 13.2"W x 7.4"D  
WEIGHT: 60.0 LBS  
1 PER SECTOR, TOTAL OF 3

**RRU DETAIL**  
SCALE: N.T.S.  
4  
A-3



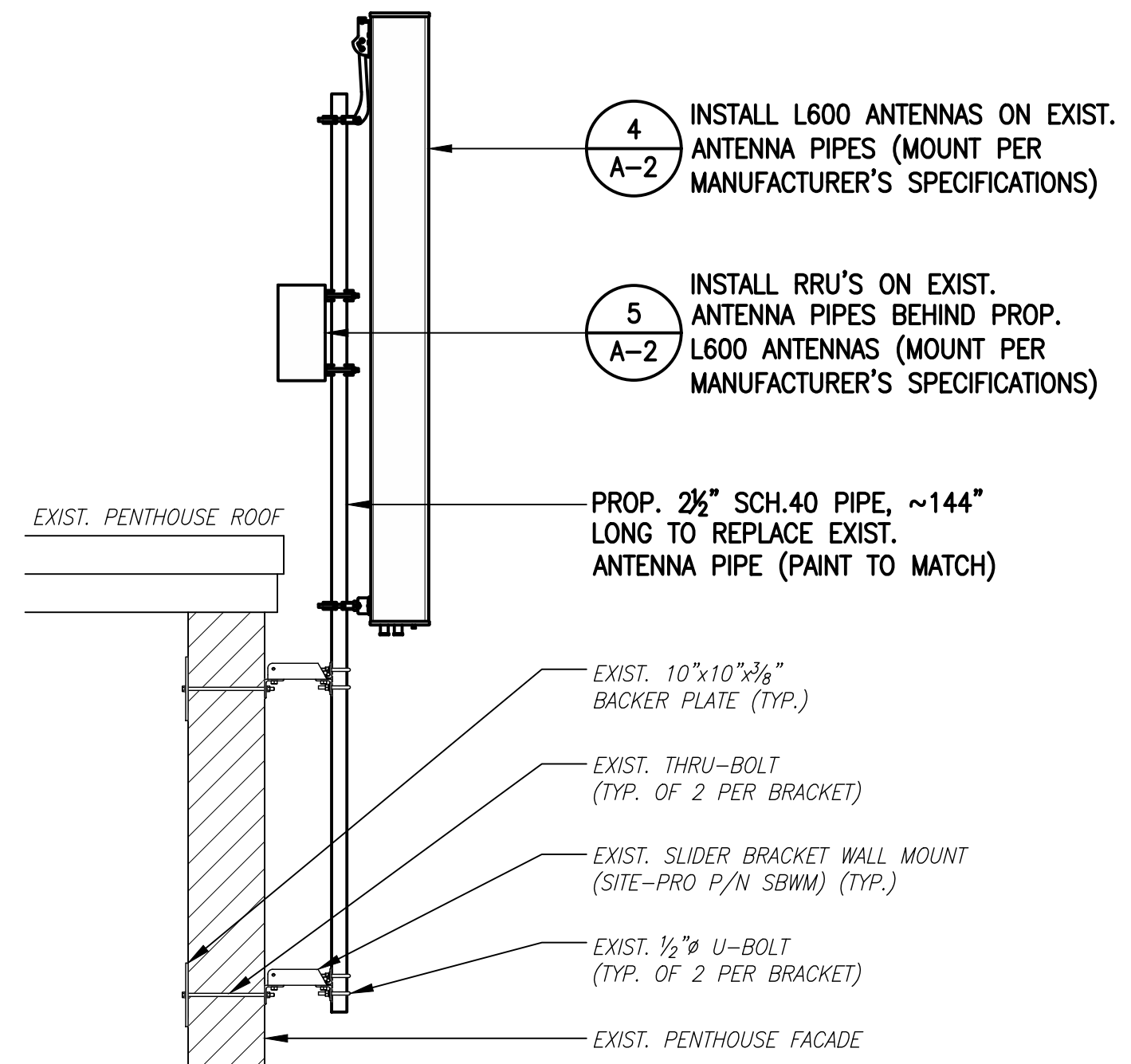
RFS AWS/PCS STYLE 3CX ATMA4P4DBP-1A20 TMA  
DIMENSIONS: 11.2"H x 8.0"W x 4.9"D  
WEIGHT: 7.19 LBS  
1 PER SECTOR, TOTAL OF 3

**TMA DETAIL**  
SCALE: N.T.S.  
5  
A-3



RES ACU-A20-S ANTENNA CONTROL UNIT  
DIMENSIONS: 4.0"H x 1.6"W x 3.5"D  
WEIGHT: 1.25 LBS  
2 PER SECTOR, TOTAL OF 6

**RET CONTROL DETAIL**  
SCALE: N.T.S.  
6  
A-3



**ANTENNA MOUNTING DETAIL**  
SCALE: 1/2" = 1'-0"  
7  
A-3