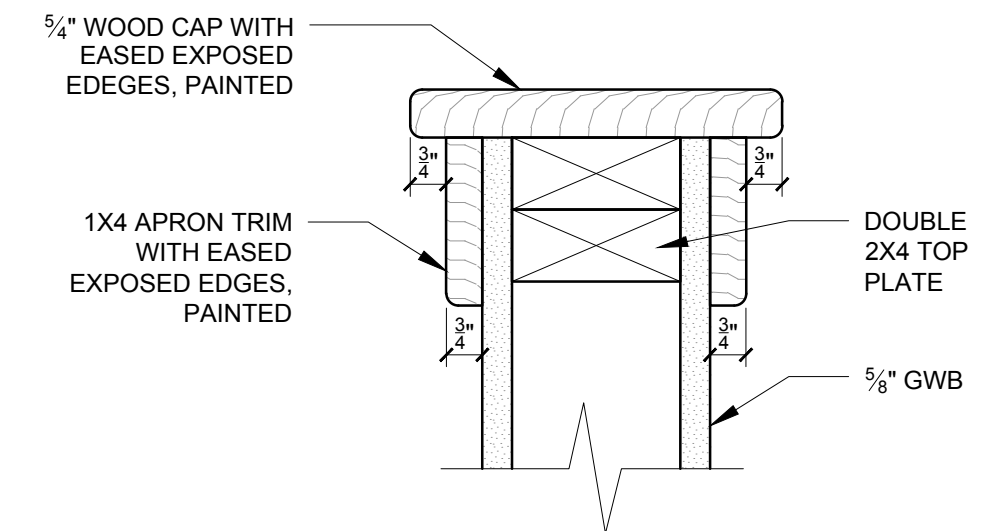
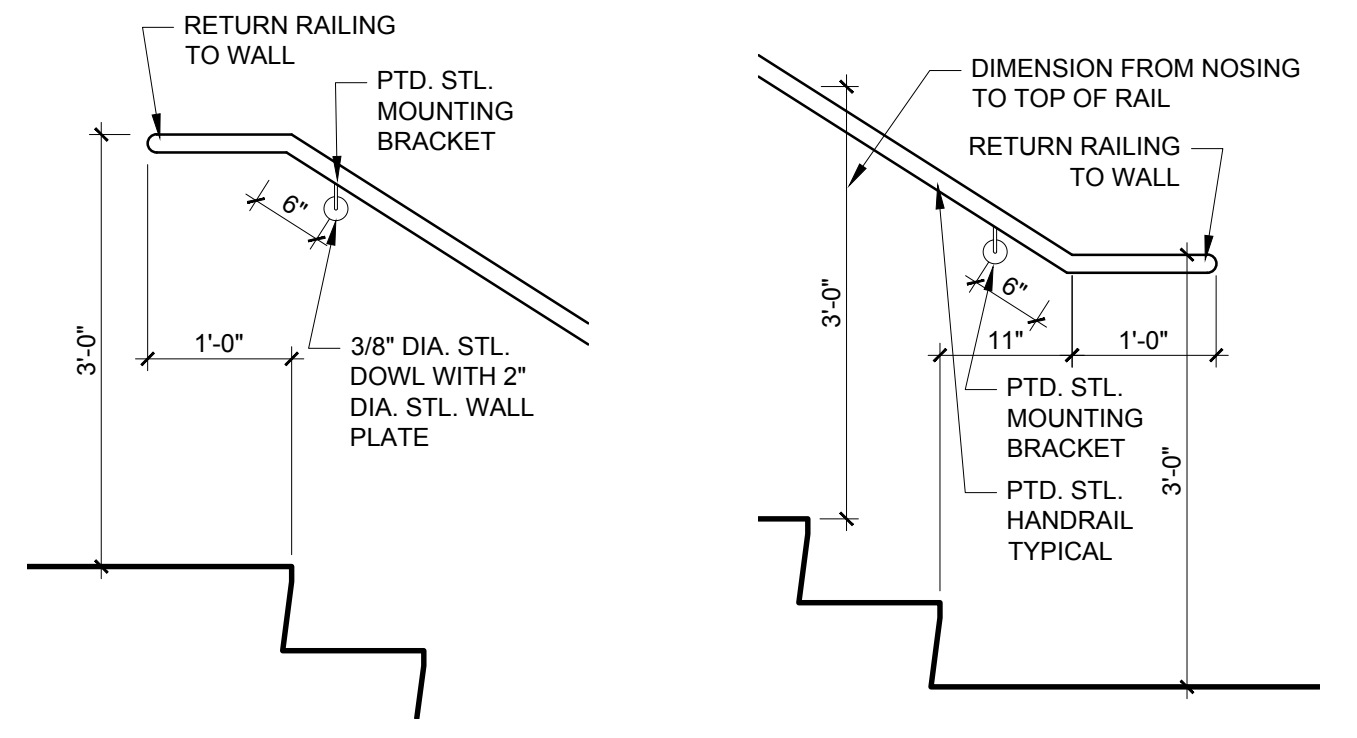


1 SECTION THROUGH STAIRS TO BASEMENT
1/2" = 1'-0"

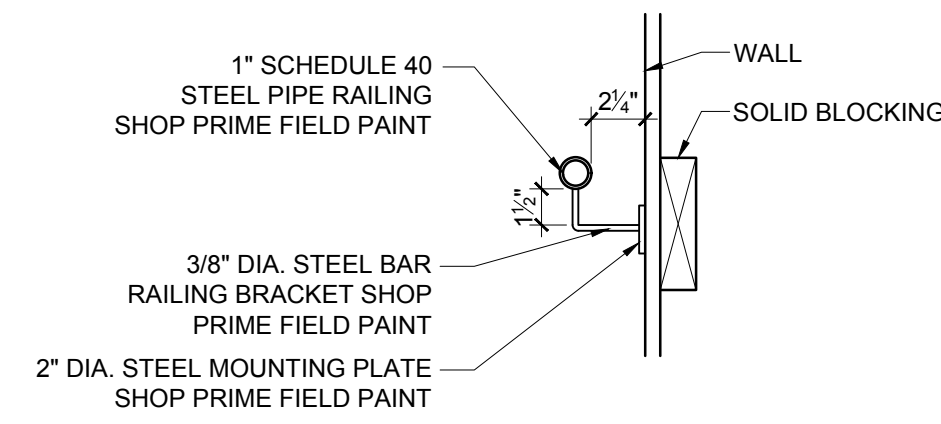
SECTION NOTES
1.) TOP OF SUB FLOOR IS 3/4" BELOW FINISHED FLOOR AT ALL NEW FRAMED FLOOR LEVELS, U.N.O.



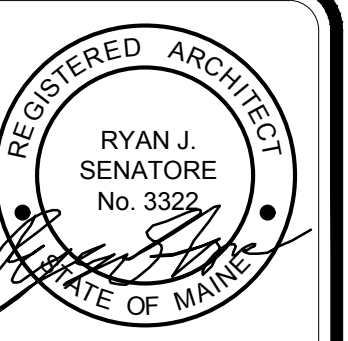
2 SECTION DETAIL AT WOOD CAP
3/8" = 1'-0"



4 SECTION DETAIL AT HANDRAIL (TOP AND BOTTOM OF STAIRS)
1/2" = 1'-0"



3 SECTION DETAIL AT HANDRAIL
1 1/2" = 1'-0"



© 2016 RYAN SENATORE ARCHITECTURE

LAYFAYETTE BUILDING RENOVATION
PARK STREET
PORTLAND, MAINE



RYAN SENATORE
ARCHITECTURE
565 CONGRESS STREET
PORTLAND, MAINE 04101
207-747-5159
senatorearchitecture.com

CONSULTANTS:

REVISIONS:

DATE: SEPTEMBER 29, 2016

PROJECT No. 1621

DRAWN BY: RJS, RRT

CHECKED BY: RJS

SCALE: AS NOTED

SHEET TITLE:
SECTIONS

A3-3