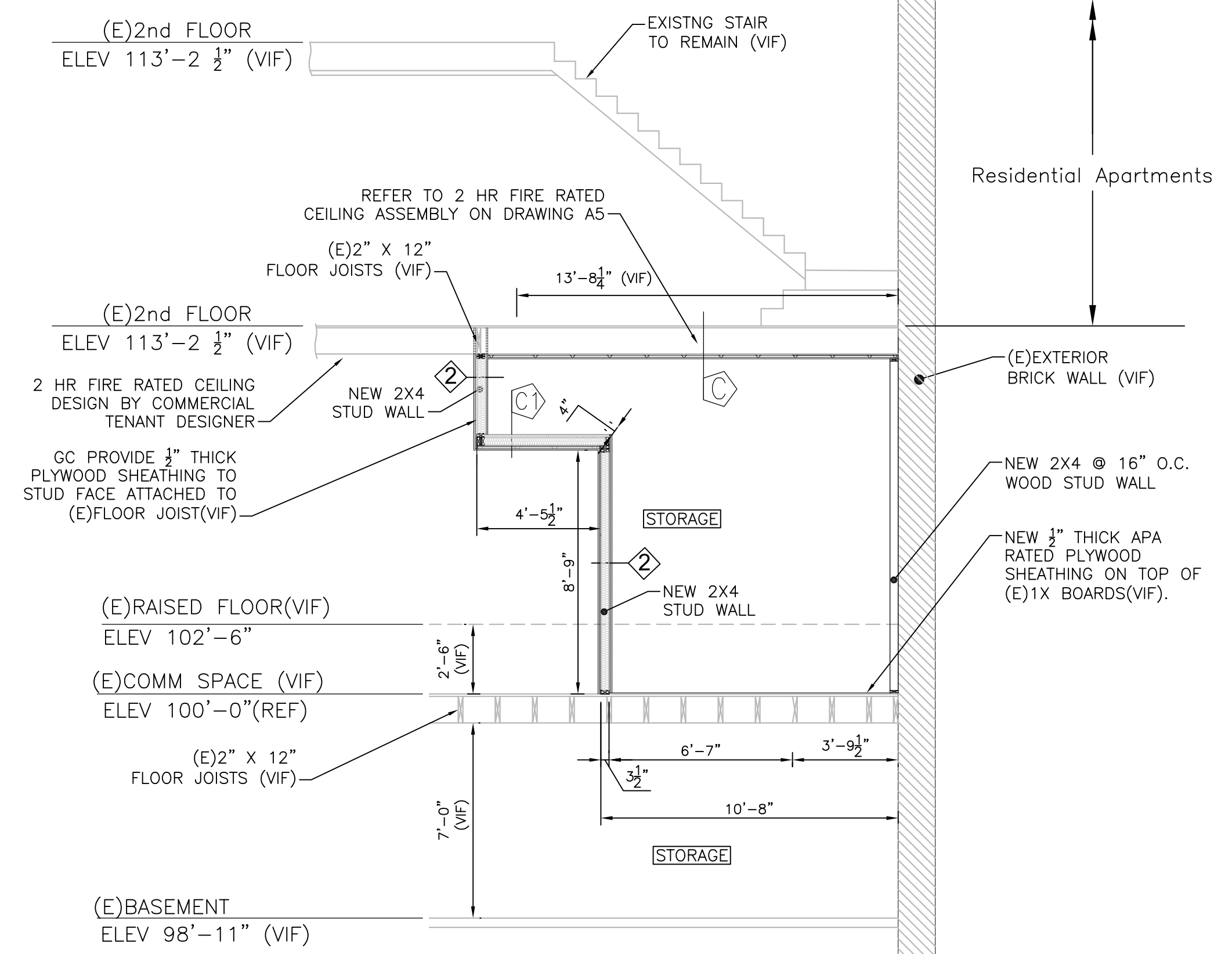
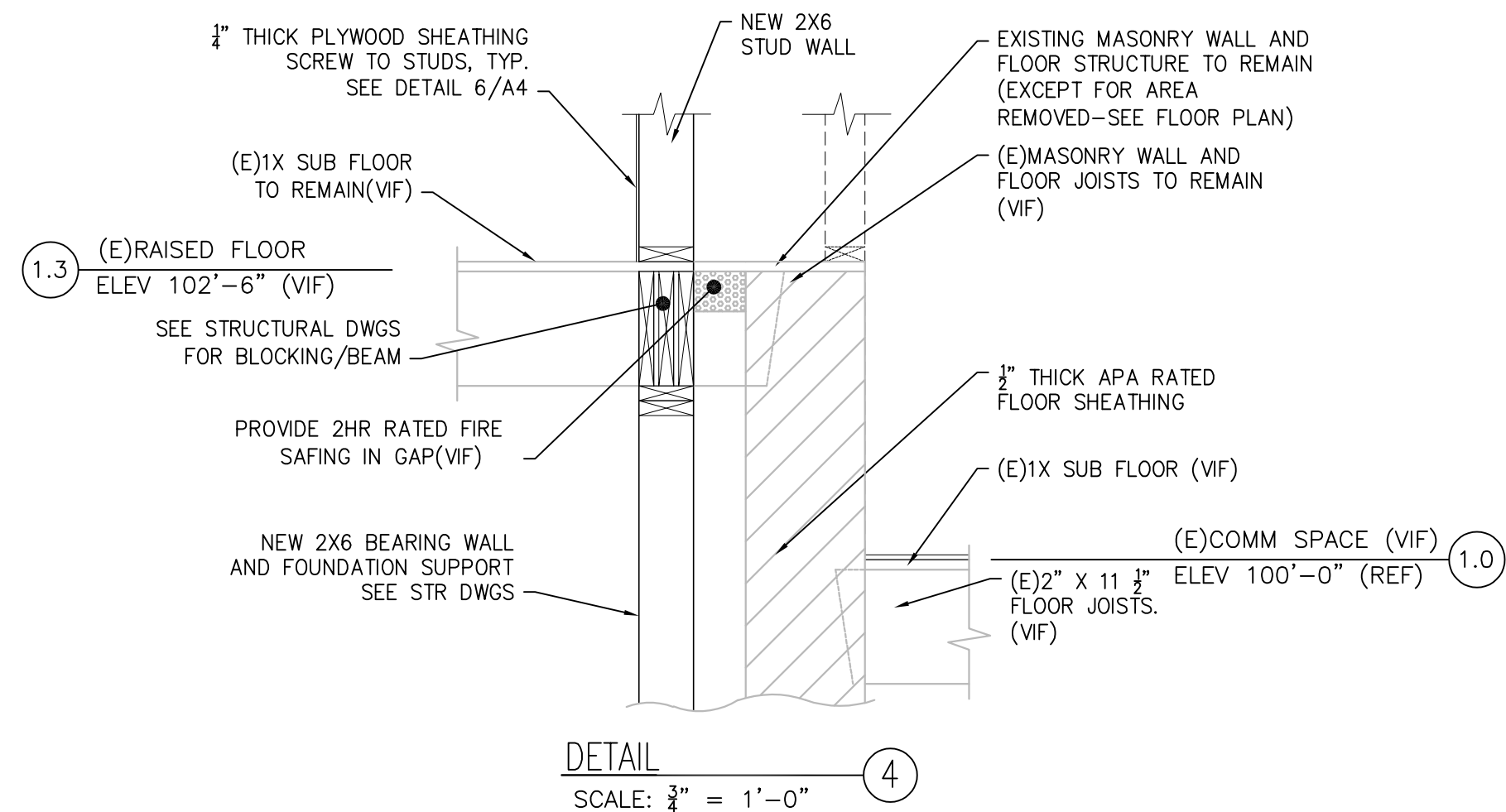


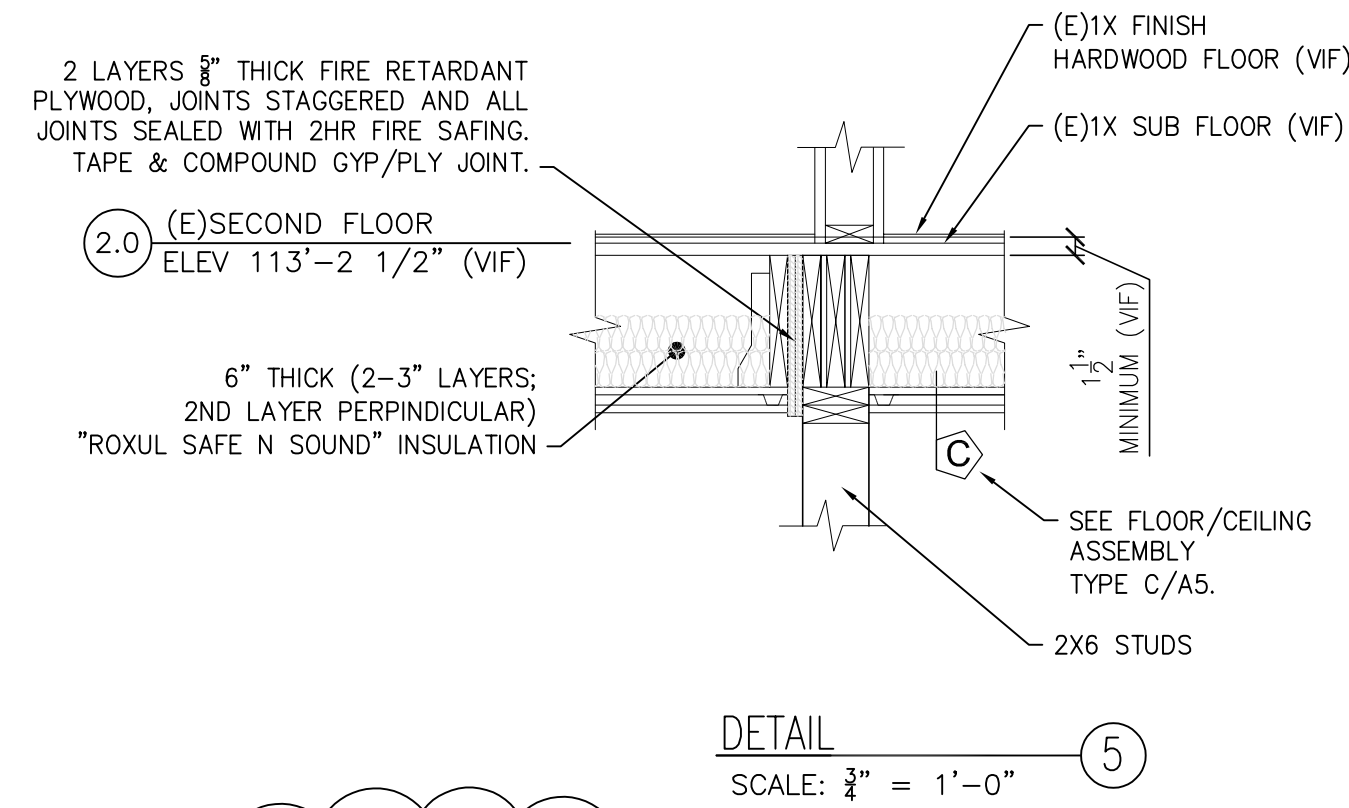
SECTION 1



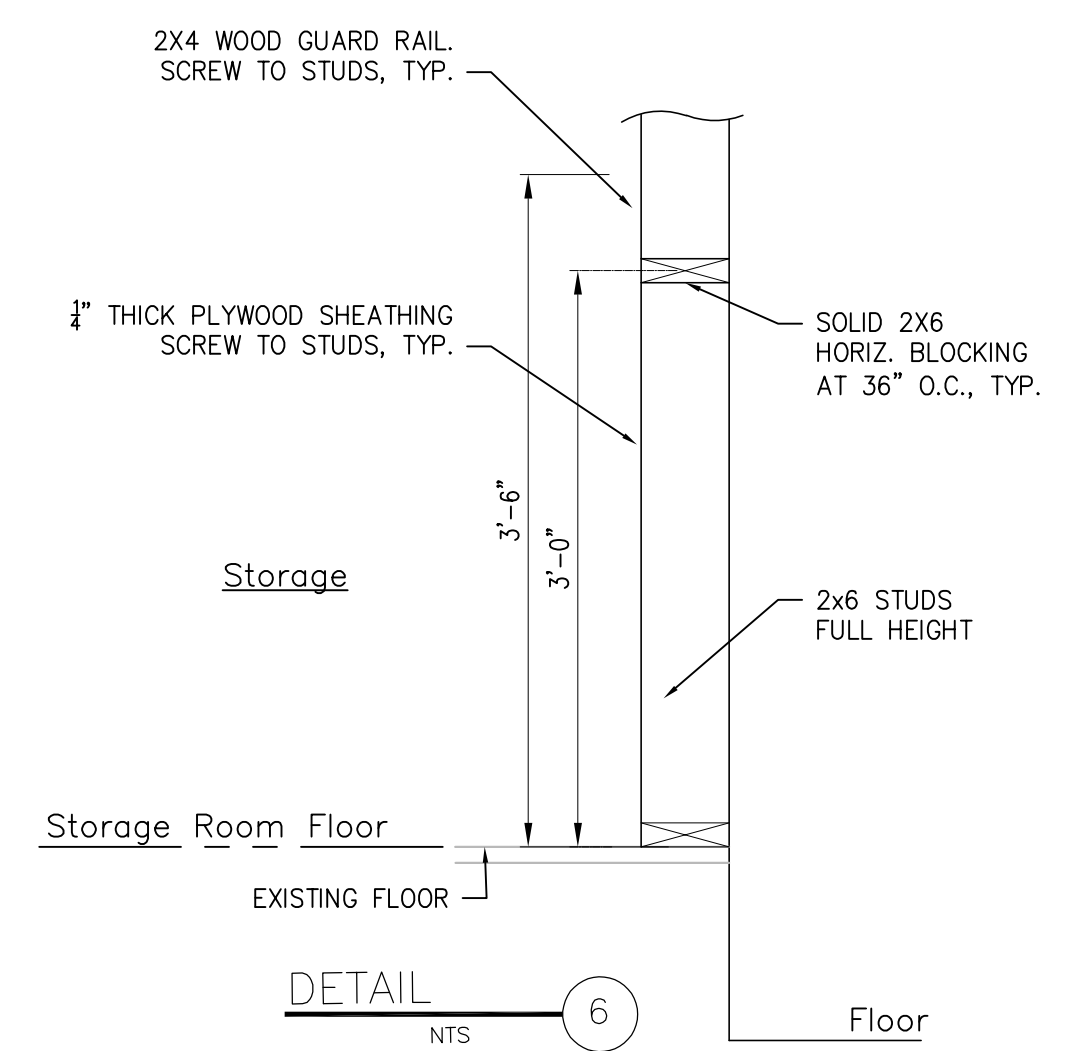
SECTION 2



DETAIL 4
SCALE: 3/8\"/>

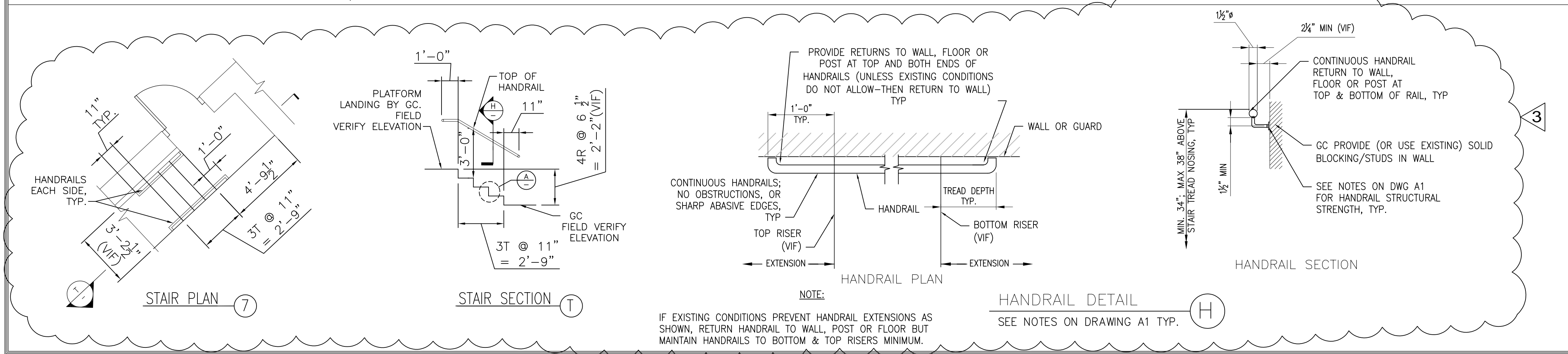


DETAIL 5
SCALE: 3/8\"/>

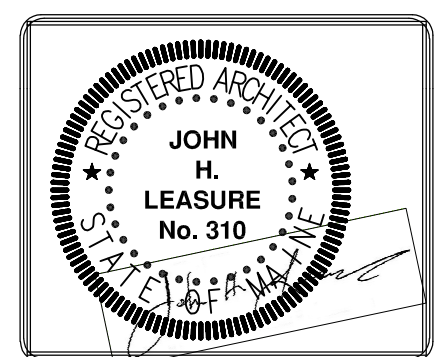


DETAIL 6

- NOTES:
- CONTRACTOR VERIFY ALL DIMENSIONS AND EXISTING STAIRS, WALLS IN THE FIELD.
 - WALL & CEILING TYPES ON DRAWING A5
 - GC SHALL COMPLETE ALL STRUCTURAL ELEMENTS INDICATED ON STRUCTURAL DESIGN PLANS BY L&L ENGINEERING.



HANDRAIL DETAIL H
SEE NOTES ON DRAWING A1 TYP.



REV.	DATE	STATUS
0	9-21-17	PERMIT SUBMISSION
1	10-25-17	REVISIONS
2	3-06-18	REVISIONS
3	04-10-18	SIDE DOOR ADDITION

JOHN H. LEASURE ARCHITECT, INC.
6 O STREET
SOUTH PORTLAND, MAINE 04106

PROPOSED STORAGE ROOM
658 CONGRESS STREET
PORTLAND, MAINE
SECTIONS AND DETAILS

