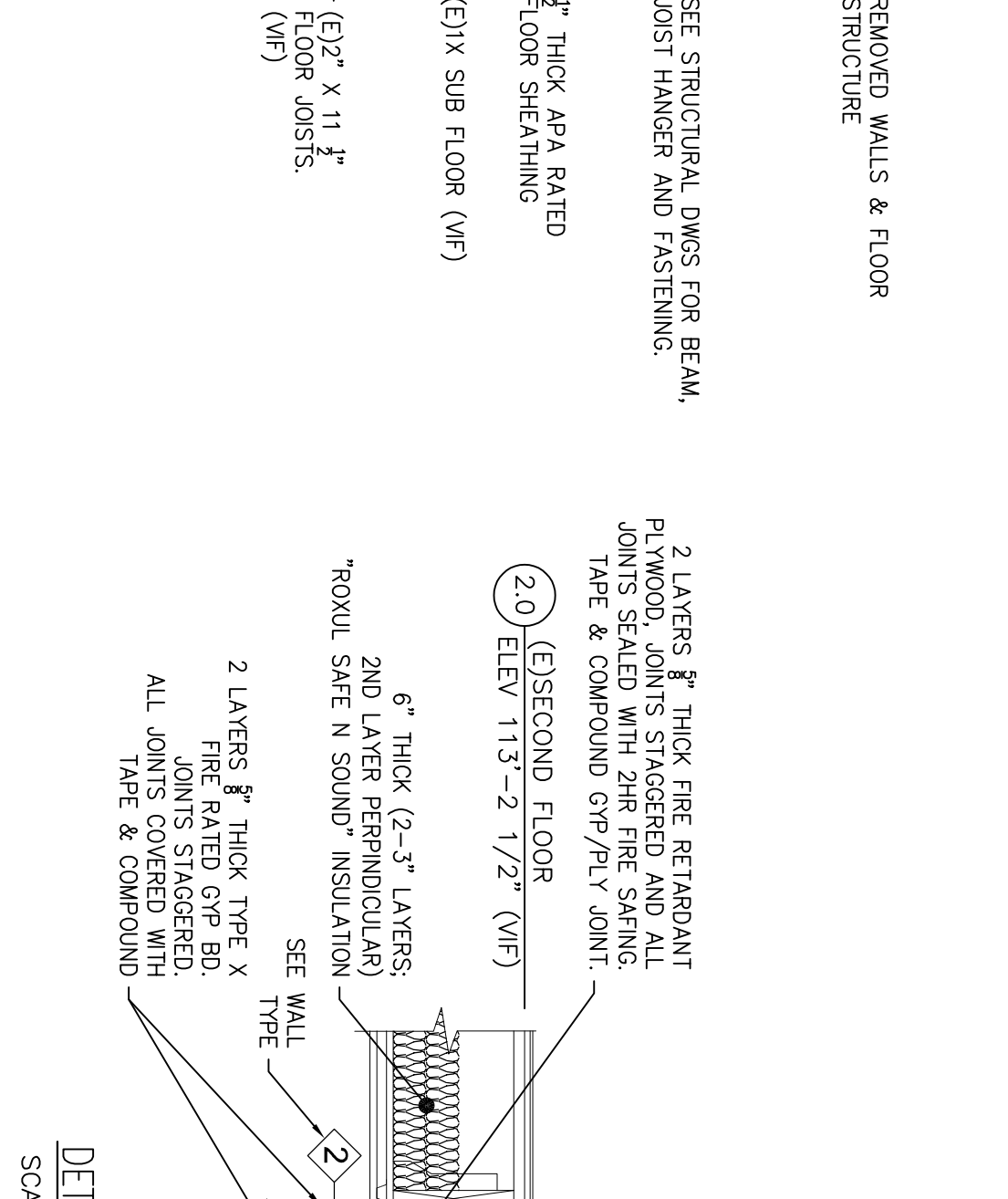
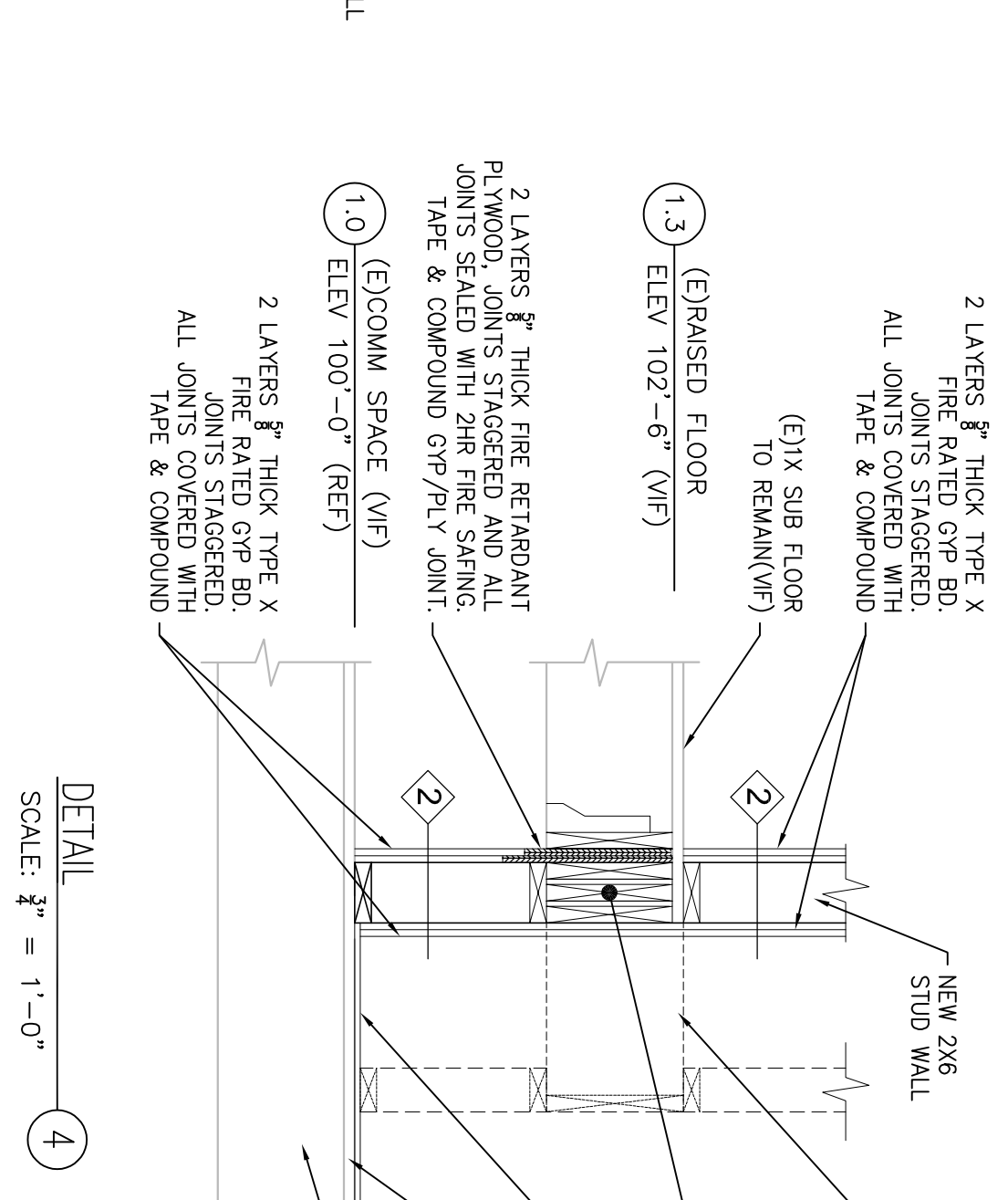
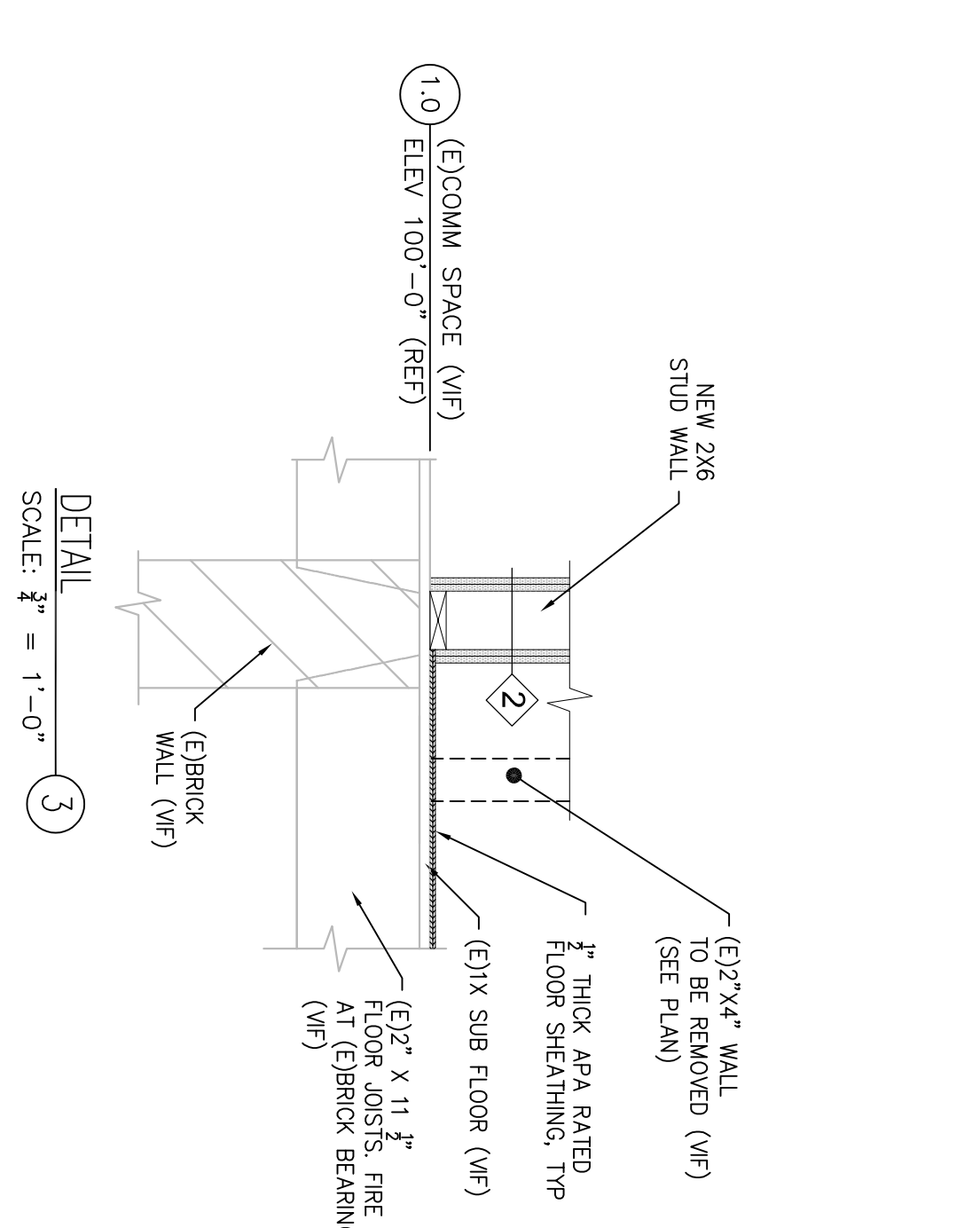
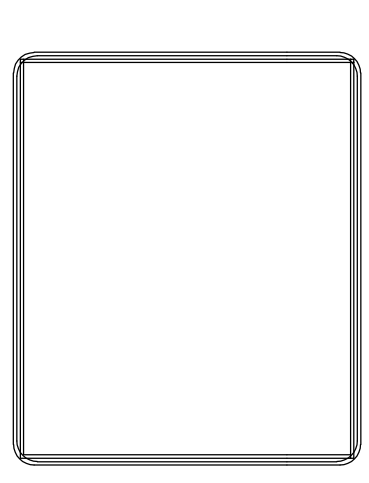
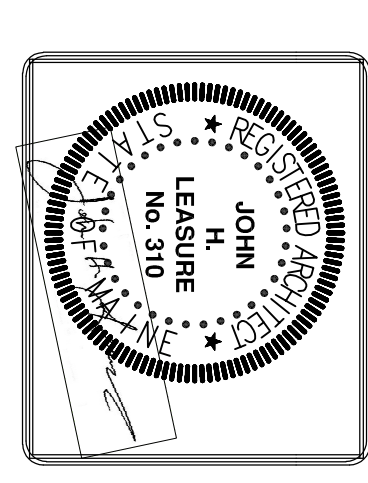


REV.	DATE	STATUS
0	9-21-17	PERMIT SUBMISSION



NOTES:

1. CONTRACTOR VERIFY ALL DIMENSIONS AND EXISTING STAIRS, WALLS IN THE FIELD.
2. WALL & CEILING TYPES ON DRAWING AS
3. GC SHALL COMPLETE ALL STRUCTURAL ELEMENTS INDICATED ON STRUCTURAL DESIGN PLANS BY L&L ENGINEERS.

PROPOSED STORAGE ROOM
658 CONGRESS STREET
PORTLAND, MAINE
 SECTIONS AND DETAILS

JOHN H. LEASURE ARCHITECT, INC.
 6 Q STREET
 SOUTH PORTLAND, MAINE 04106