

**660-662
CONGRESS
STREET**

PORTLAND, MAINE

ARCHITECT:
PRESENT ARCHITECTURE PLLC

356 S 1ST ST. #32
BROOKLYN, NEW YORK 11211
T: (207) 449-8513

CONTRACTOR:
BAYHILL BUILDING & DESIGN

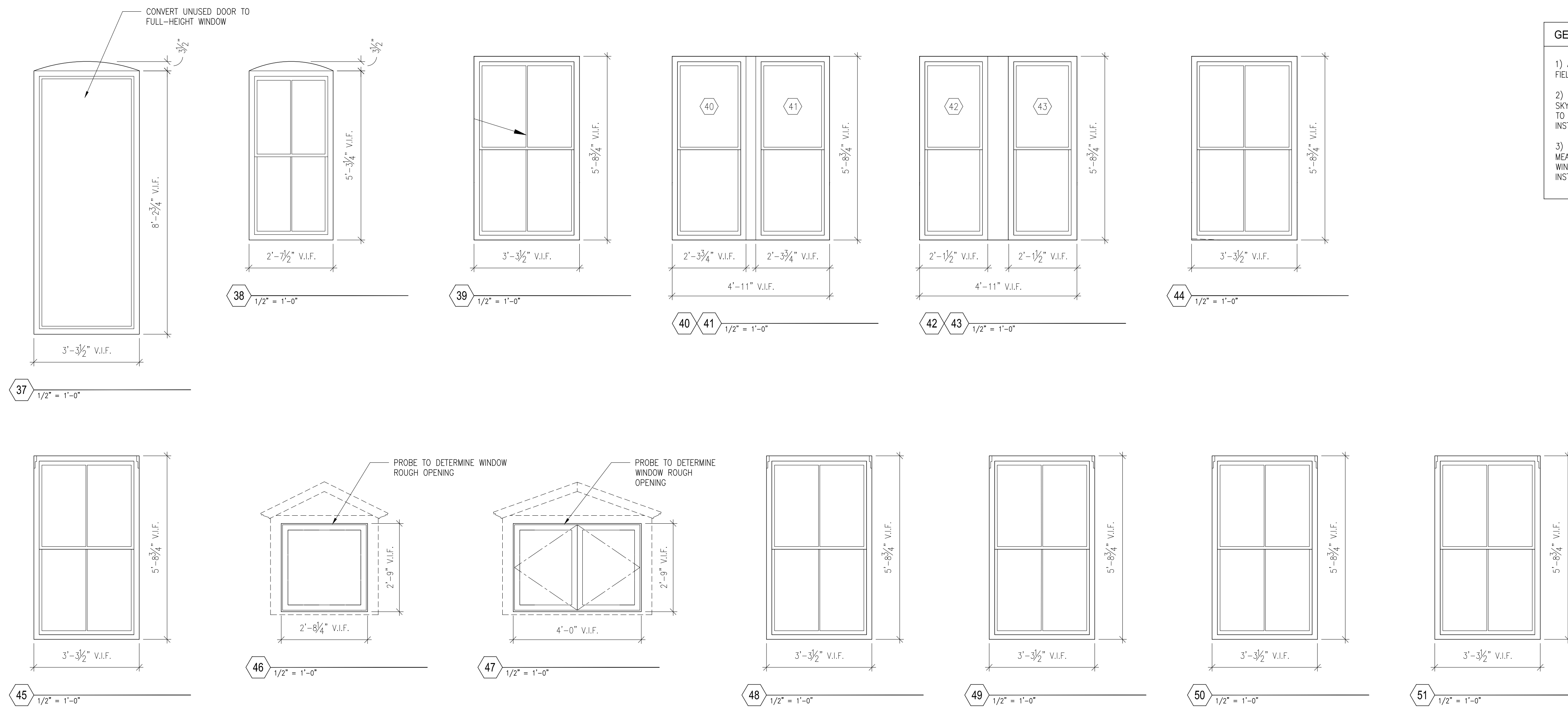
P.O. BOX 178
SOUTH FREEPORT, ME 04078
T: (207) 865-9351

STRUCTURAL ENGINEER:
**ENGINEERING DESIGN
PROFESSIONALS**

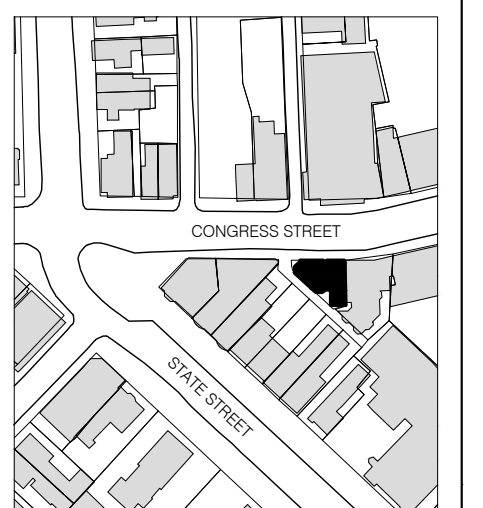
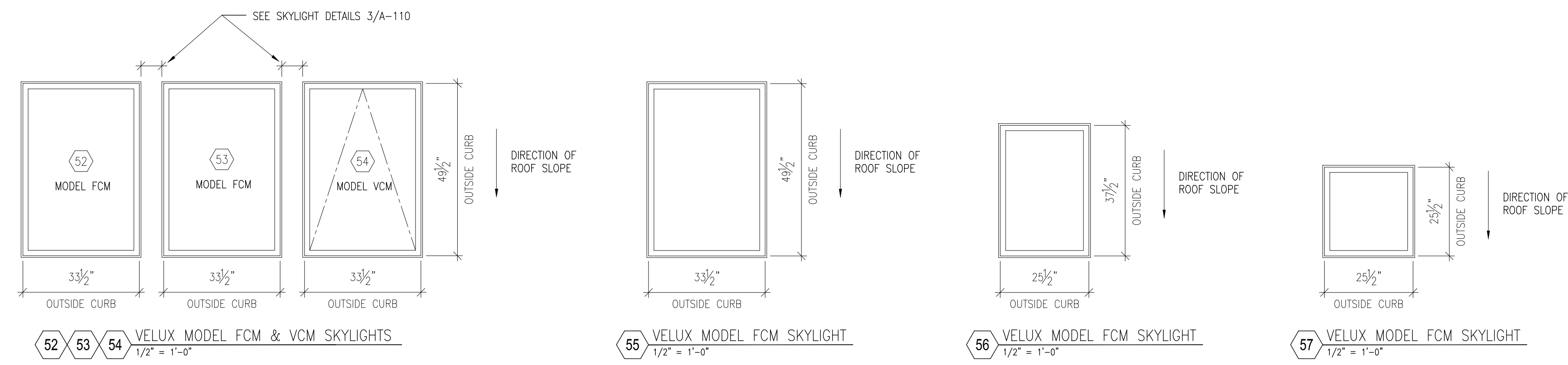
P.O. BOX 575
FREEPORT, ME 04032
T: (207) 865-9505

GENERAL NOTES

- 1) ALL WINDOW ROUGH OPENINGS ARE TO BE FIELD VERIFIED BY CONTRACTOR.
- 2) ALL FINISHED CURB DIMENSIONS ON SKYLIGHT TYPES ARE APPROXIMATE. INSTALLER TO COORDINATE WITH APPROVED MANUFACTURER INSTALLATION INSTRUCTIONS.
- 3) WINDOW SILL HEIGHTS ARE TO BE FIELD MEASURED BY INSTALLER. SAFETY GLAZING AND WINDOW OPENING LIMITING DEVICES ARE TO BE INSTALLED AS REQUIRED BY CODE.



SKYLIGHT TYPES



NTS
NORTH



B-SCAN:

DWG. CONTENTS:

WINDOW TYPES

DATE: 1/2" = 1'-0"
SCALE: 1/2" = 1'-0"
DWG. BY:
PROJECT NO.: 008

DWG. NO.: **A-606**

SHEET NO.: