

**660-662
CONGRESS
STREET**

PORTLAND, MAINE

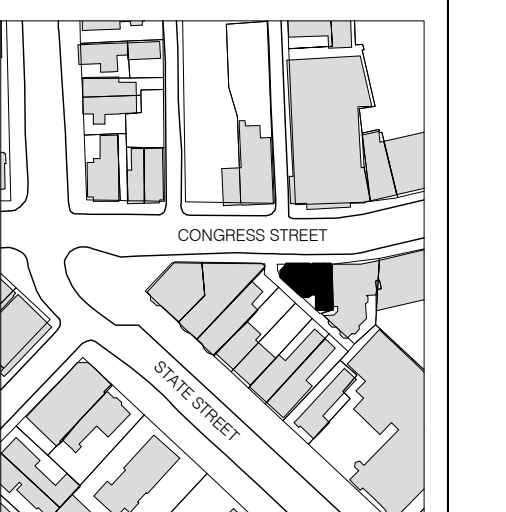
ARCHITECT:
PRESENT ARCHITECTURE PLLC
356 S 1ST ST. #32
BROOKLYN, NEW YORK 11211
T: (207) 449-8513

CONTRACTOR:
BAYHILL BUILDING & DESIGN
P.O. BOX 178
SOUTH FREEPORT, ME 04078
T: (207) 865-9351

STRUCTURAL ENGINEER:
**ENGINEERING DESIGN
PROFESSIONALS**

P.O. BOX 575
FREEPORT, ME 04032
T: (207) 865-9505

2	5/15/2013	PHASE 1 PERMIT ISSUE
1	3/28/2013	HPCA SET
NO.	DATE	ISSUE



NTS
NORTH

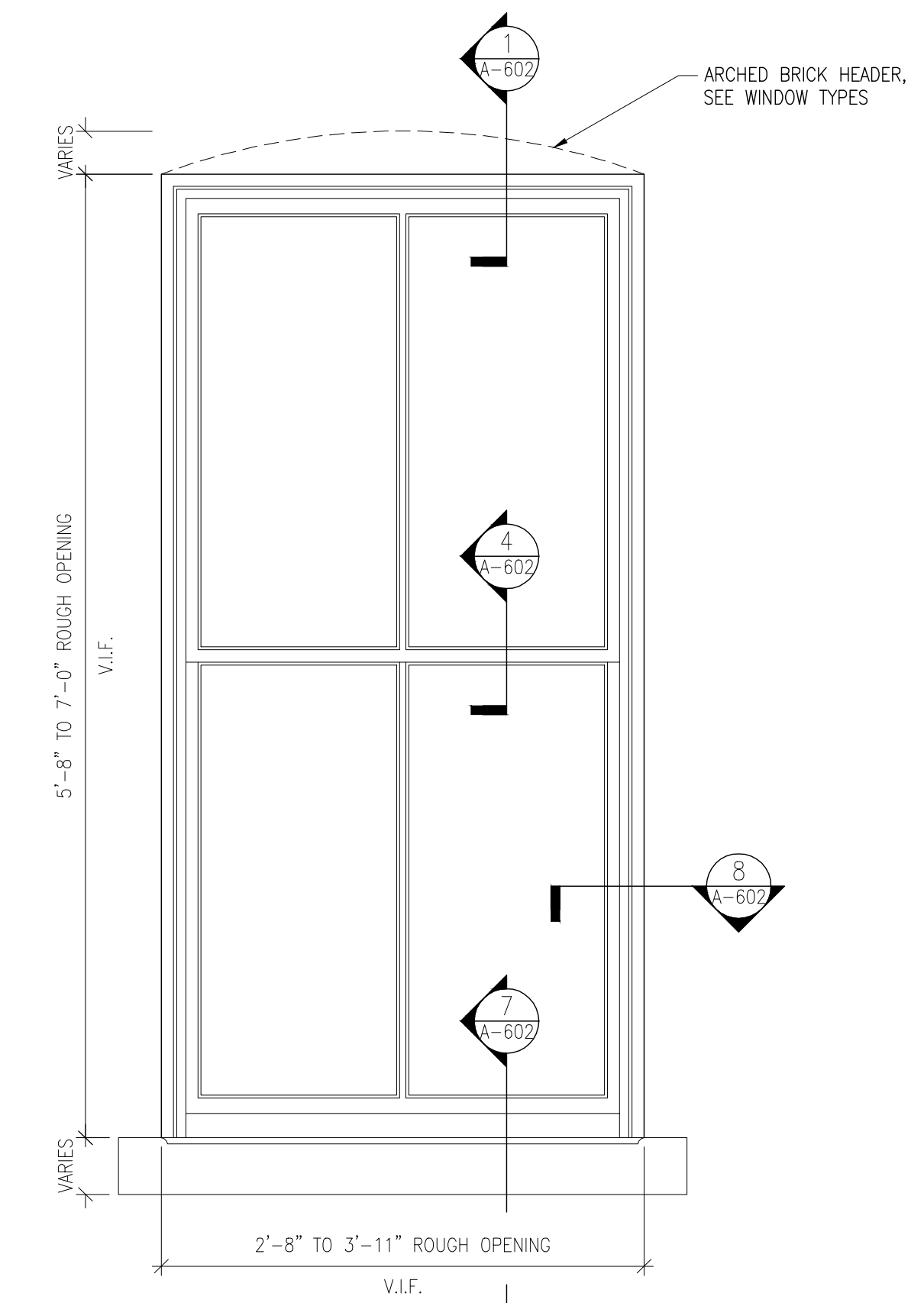


B-SCAN:

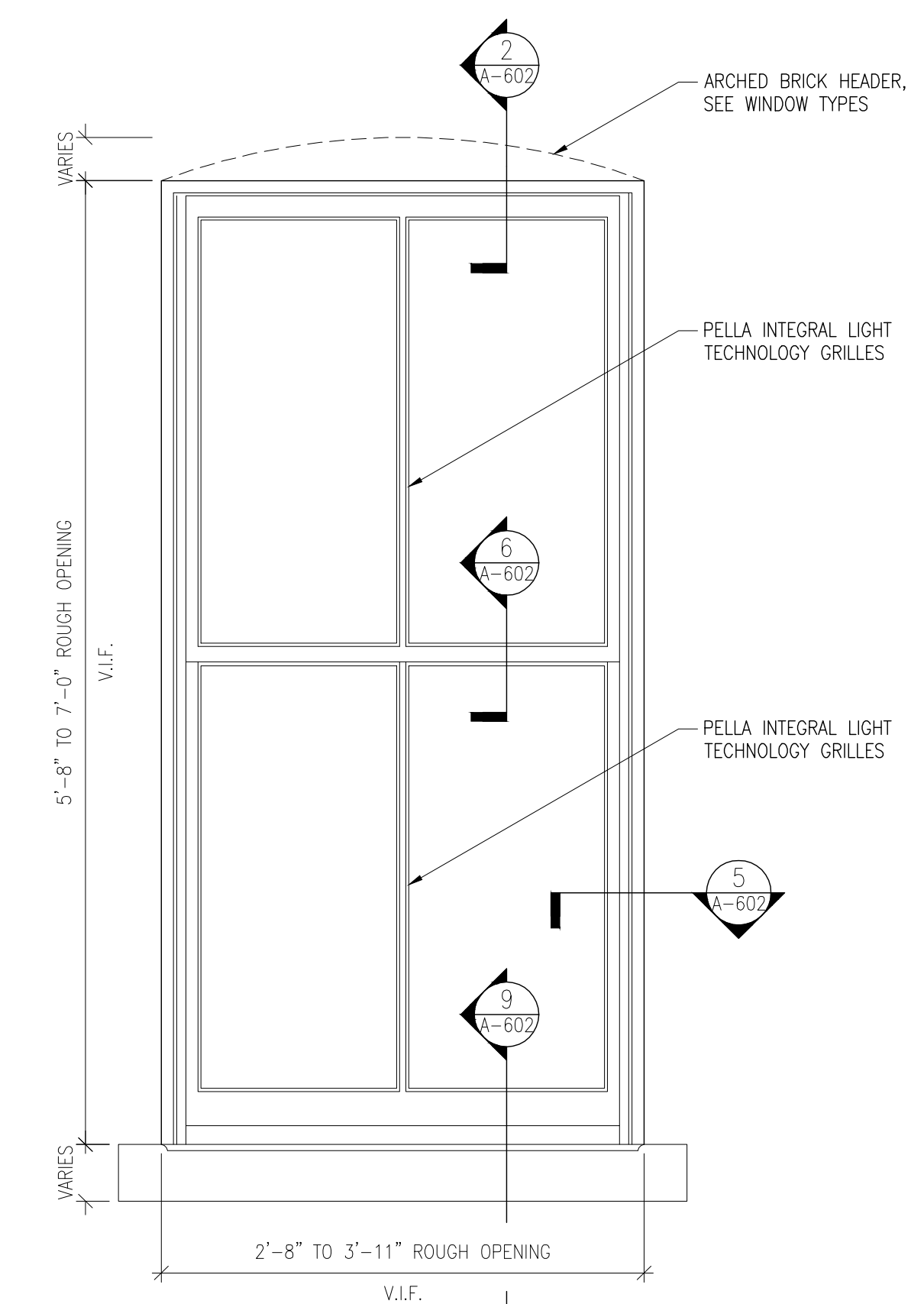
DWG. CONTENTS:
WINDOW DETAILS

DATE: AS NOTED
DWG. BY:
PROJECT NO.: 008
DWG. NO.: **A-604**

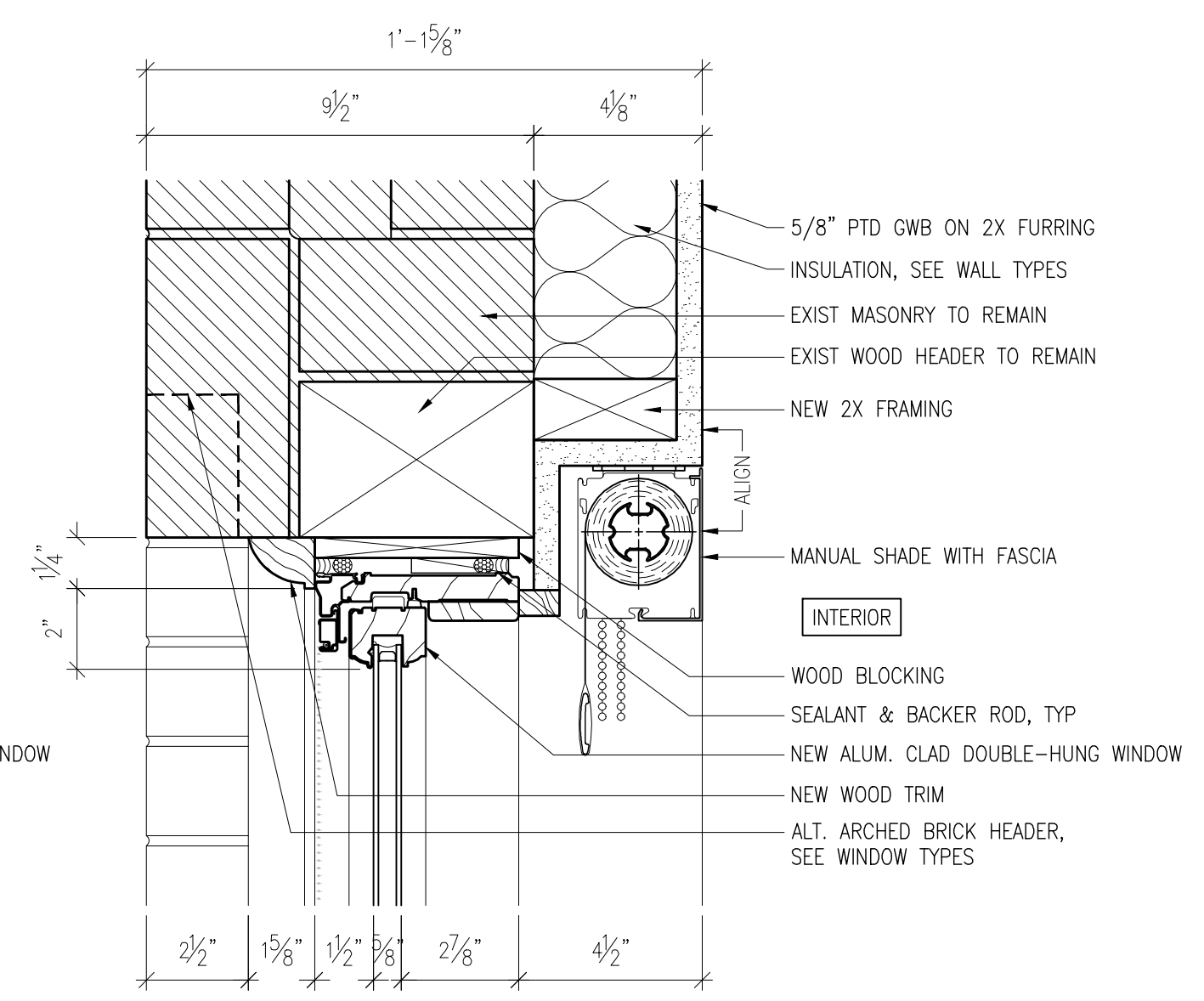
SHEET NO.:



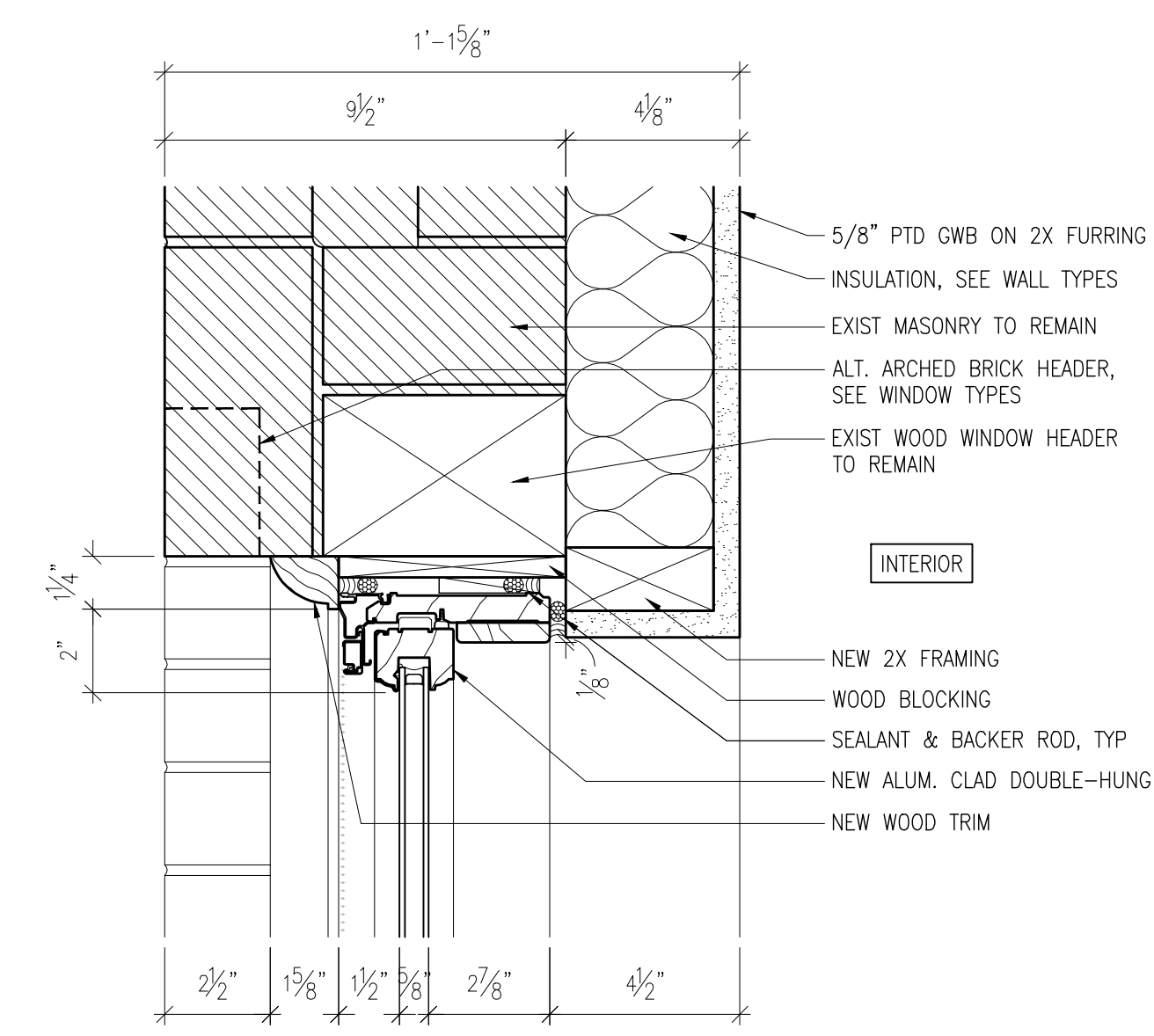
4 TYPICAL EXISTING WINDOW ELEVATION
A-604 1" = 1'-0"



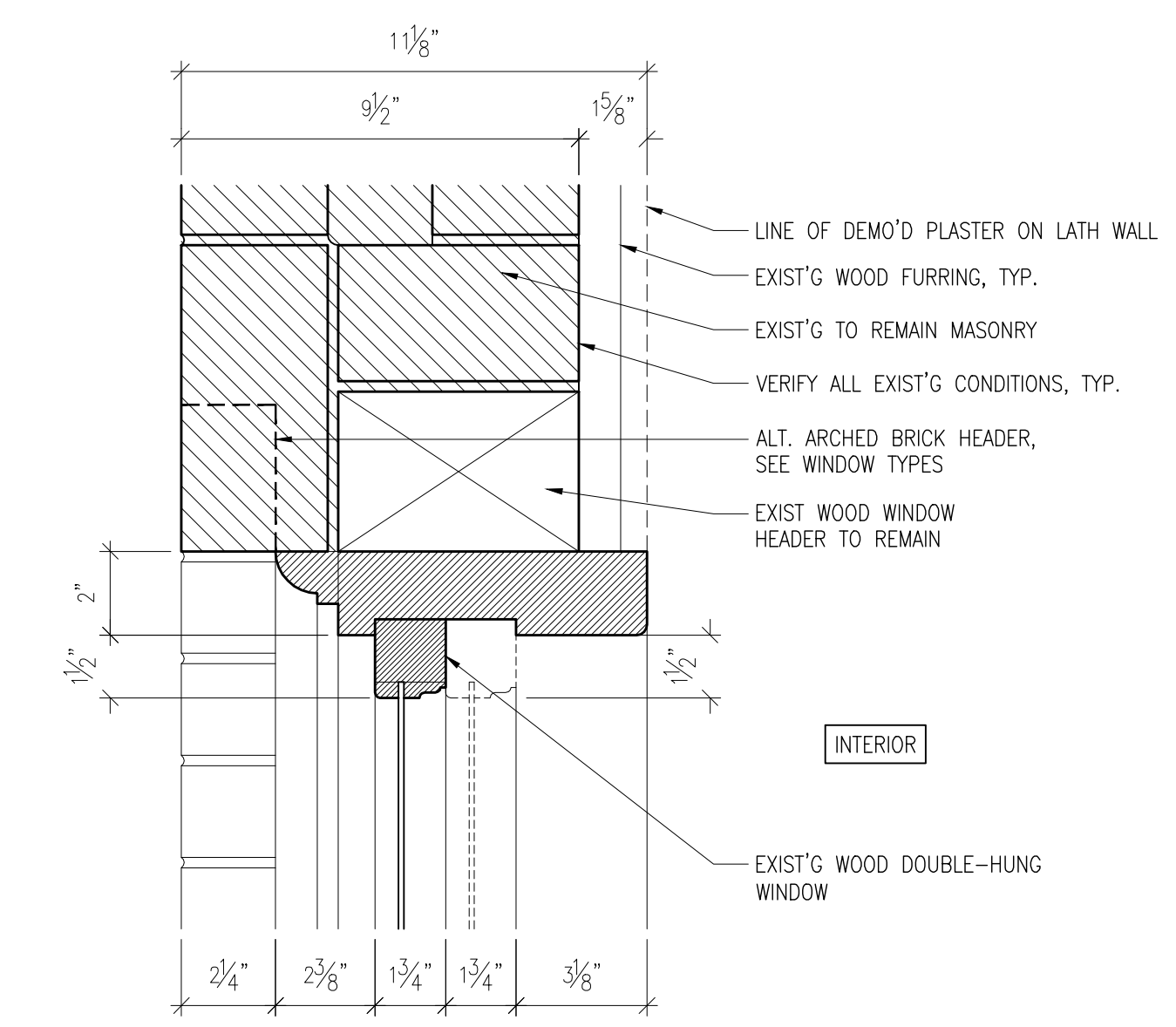
10 TYPICAL PROPOSED WINDOW ELEVATION
A-604 1" = 1'-0"



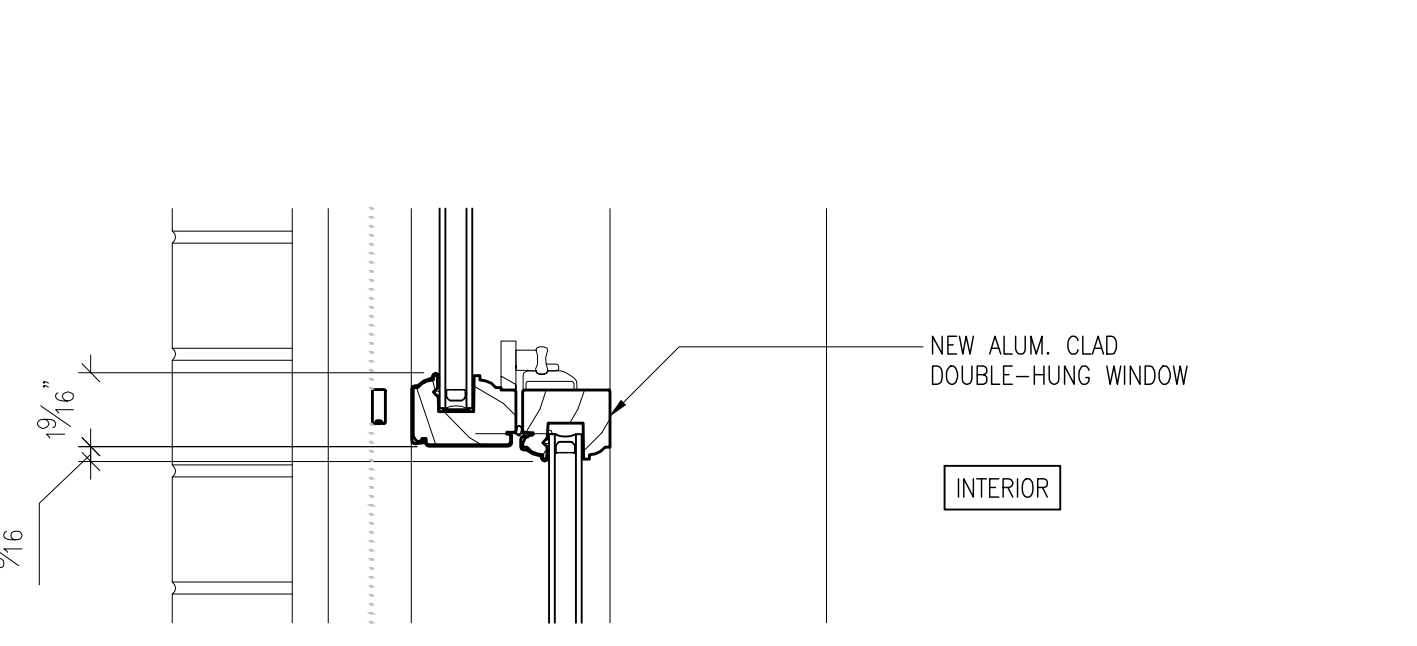
3 TYP WINDOW DTL AT HEAD W/ SHADE - PROPOSED
A-604 3" = 1'-0"



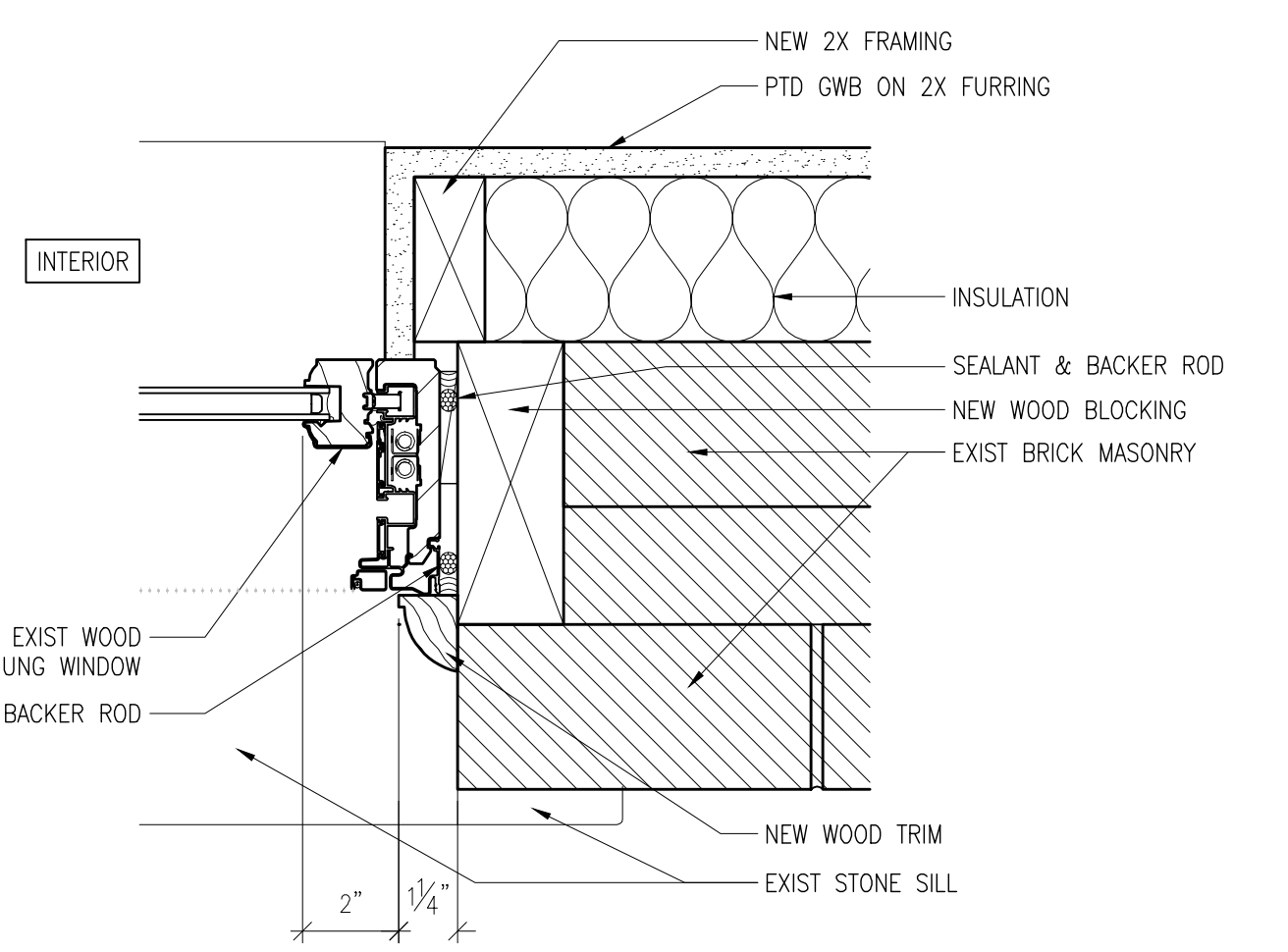
2 TYP WINDOW DTL AT HEAD - PROPOSED
A-604 3" = 1'-0"



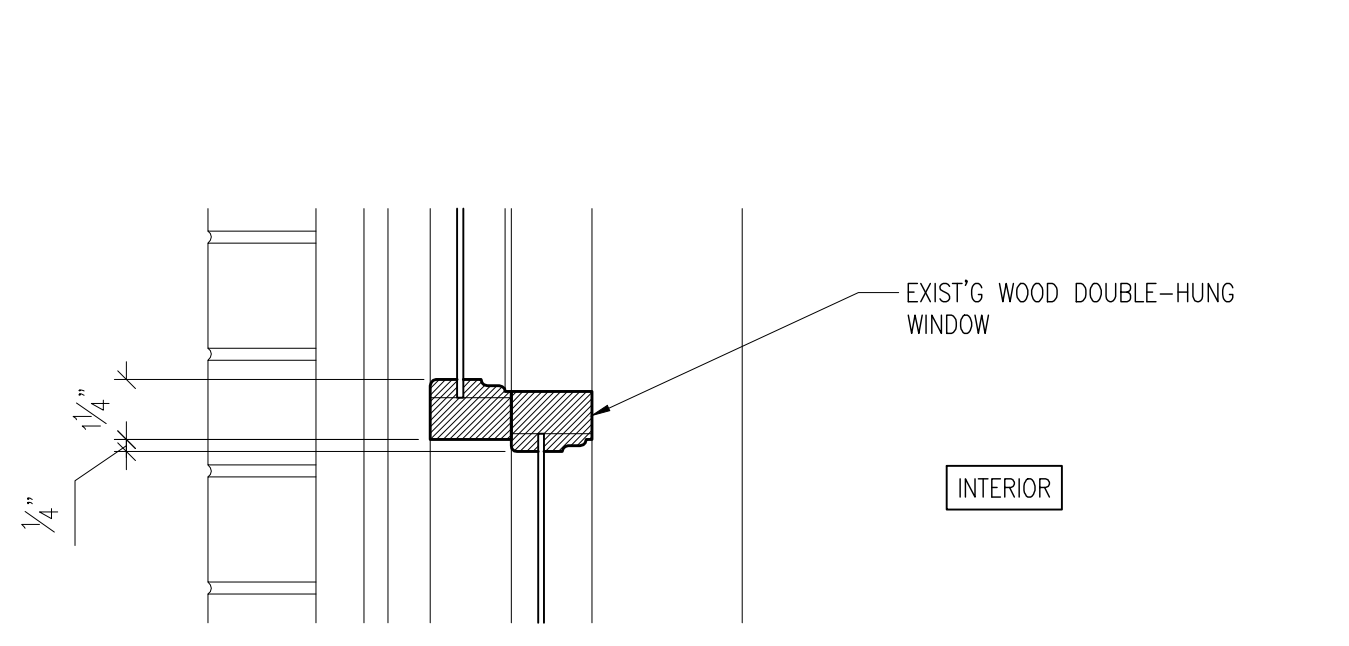
1 TYP WINDOW DTL AT HEAD - EXISTING
A-604 3" = 1'-0"



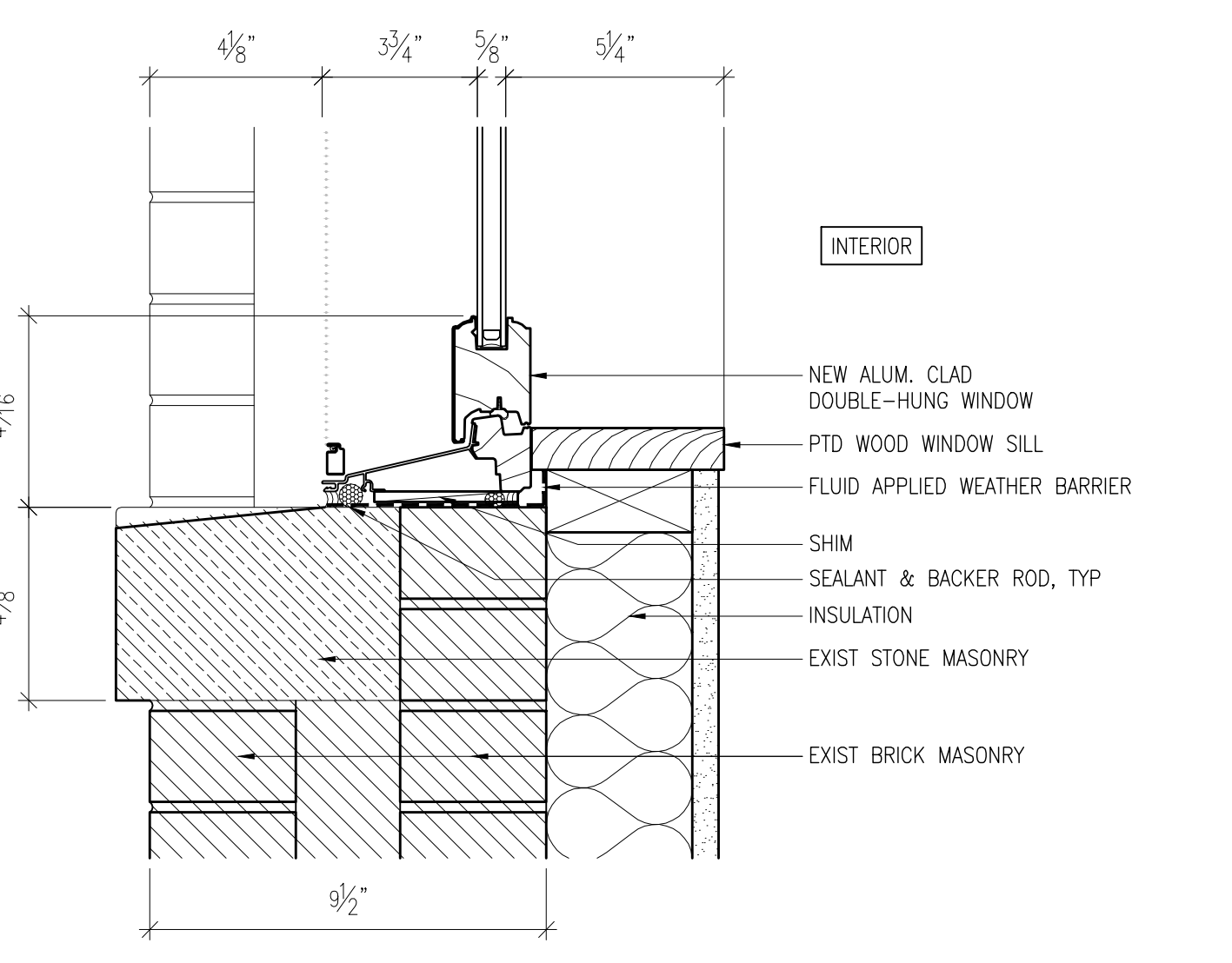
6 TYP WINDOW DTL AT HORIZ. MULLION - PROPOSED
A-604 3" = 1'-0"



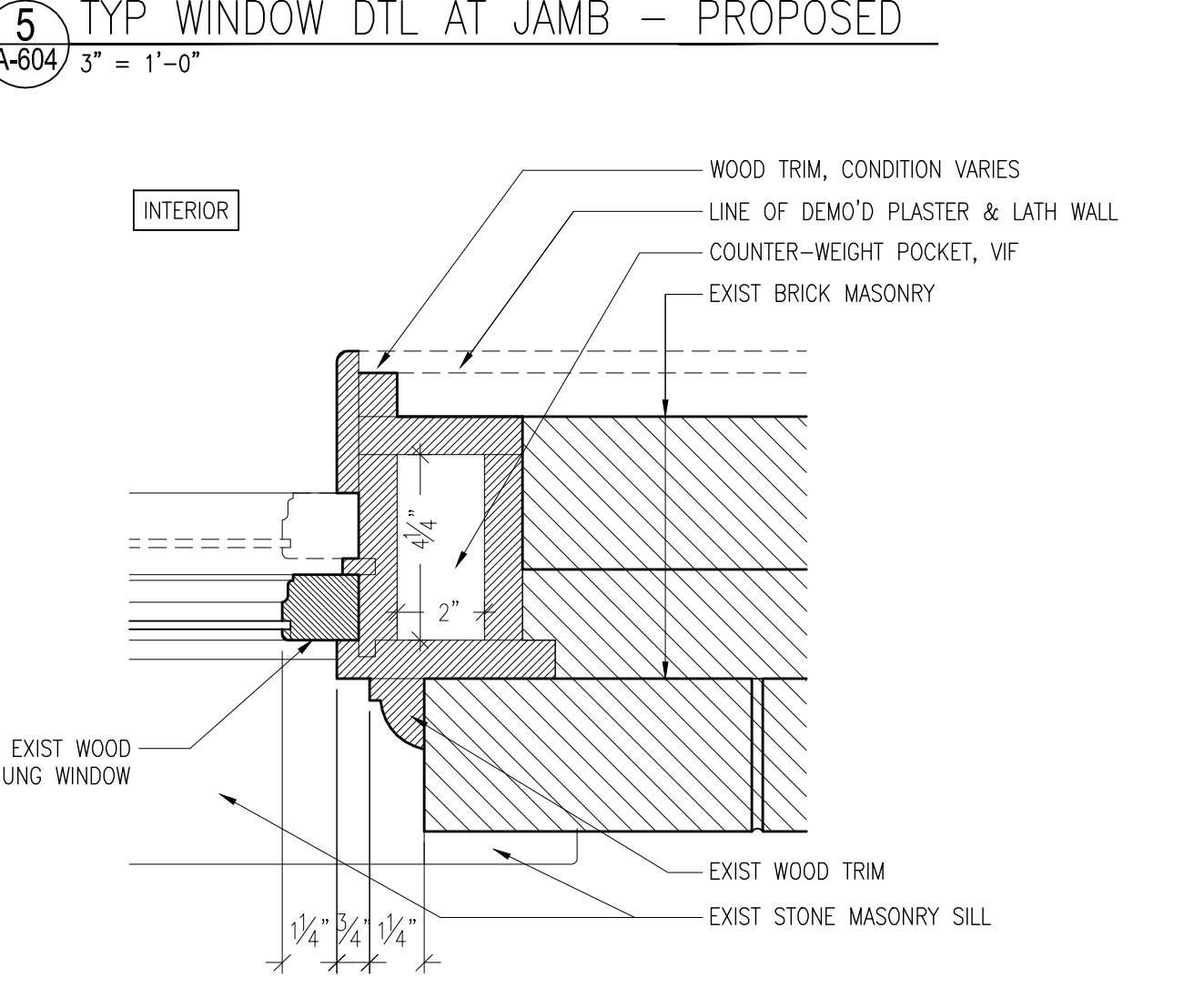
5 TYP WINDOW DTL AT JAMB - PROPOSED
A-604 3" = 1'-0"



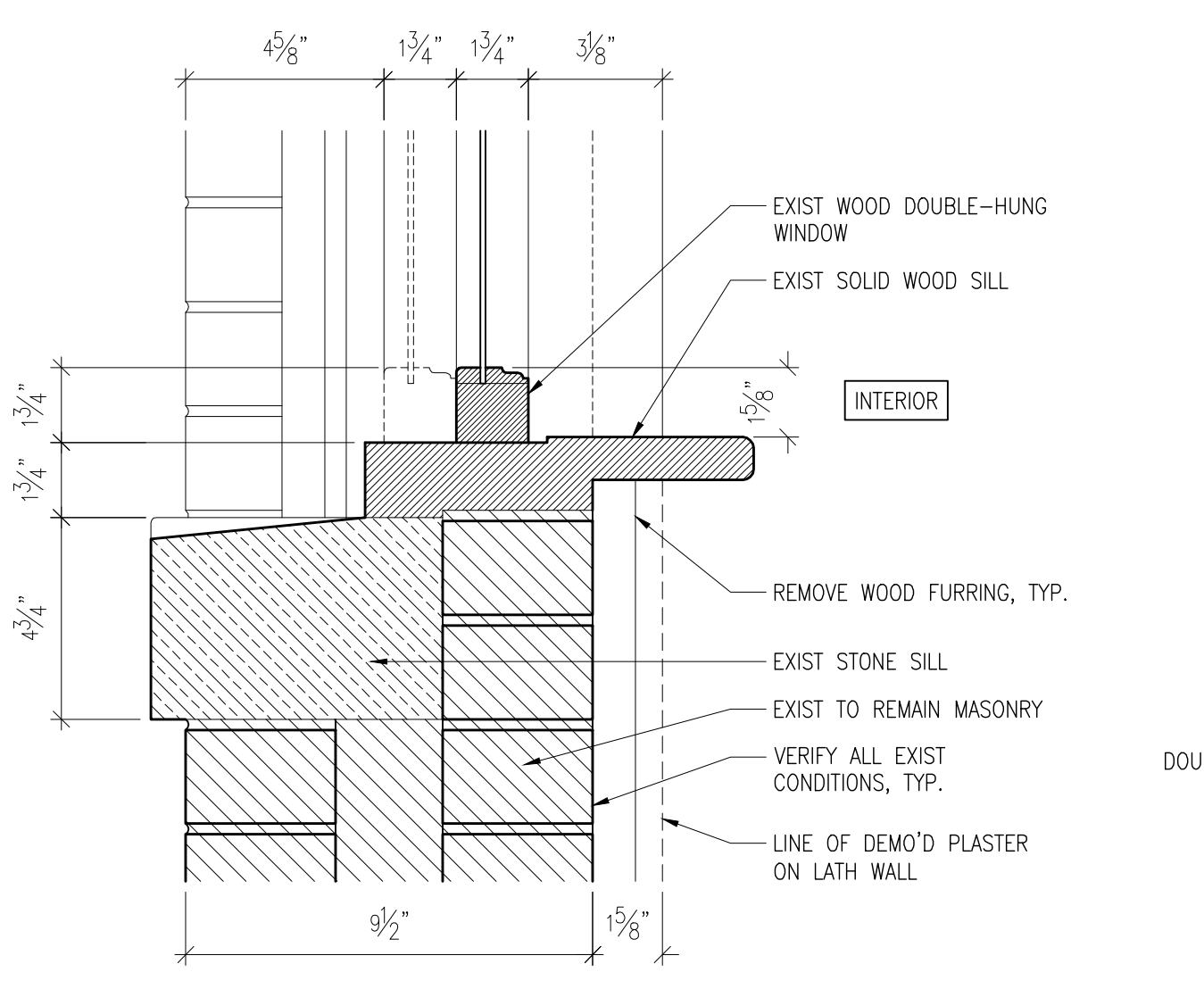
4 TYP WINDOW DTL AT HORIZ. MULLION - EXISTING
A-604 3" = 1'-0"



9 TYP WINDOW DTL AT SILL - PROPOSED
A-604 3" = 1'-0"



8 TYP WINDOW DTL AT JAMB - EXISTING
A-604 3" = 1'-0"



7 TYP WINDOW DTL AT SILL - EXISTING
A-604 3" = 1'-0"