

**660-662  
CONGRESS  
STREET**

PORTLAND, MAINE

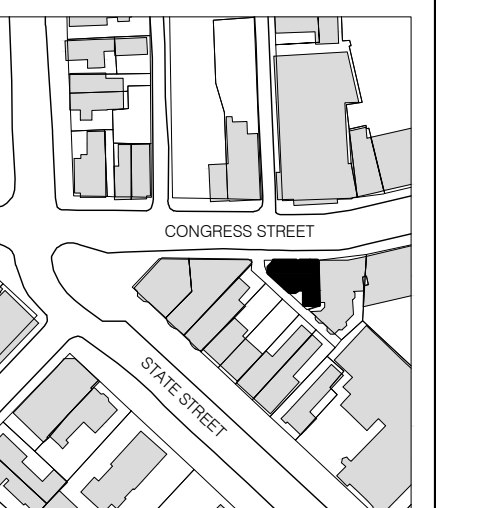
ARCHITECT:  
**PRESENT ARCHITECTURE PLLC**  
356 S 1ST ST, #32  
BROOKLYN, NEW YORK 11211  
T: (207) 449-8513

CONTRACTOR:  
**BAYHILL BUILDING & DESIGN**  
P.O. BOX 178  
SOUTH FREEPORT, ME 04078  
T: (207) 865-9351

STRUCTURAL ENGINEER:  
**ENGINEERING DESIGN  
PROFESSIONALS**

P.O. BOX 575  
FREEPORT, ME 04032  
T: (207) 865-9505

NO.	DATE	ISSUE
2	5/15/2013	PHASE 1 PERMIT ISSUE
1	3/28/2013	HPCA SET



NTS  
NORTH



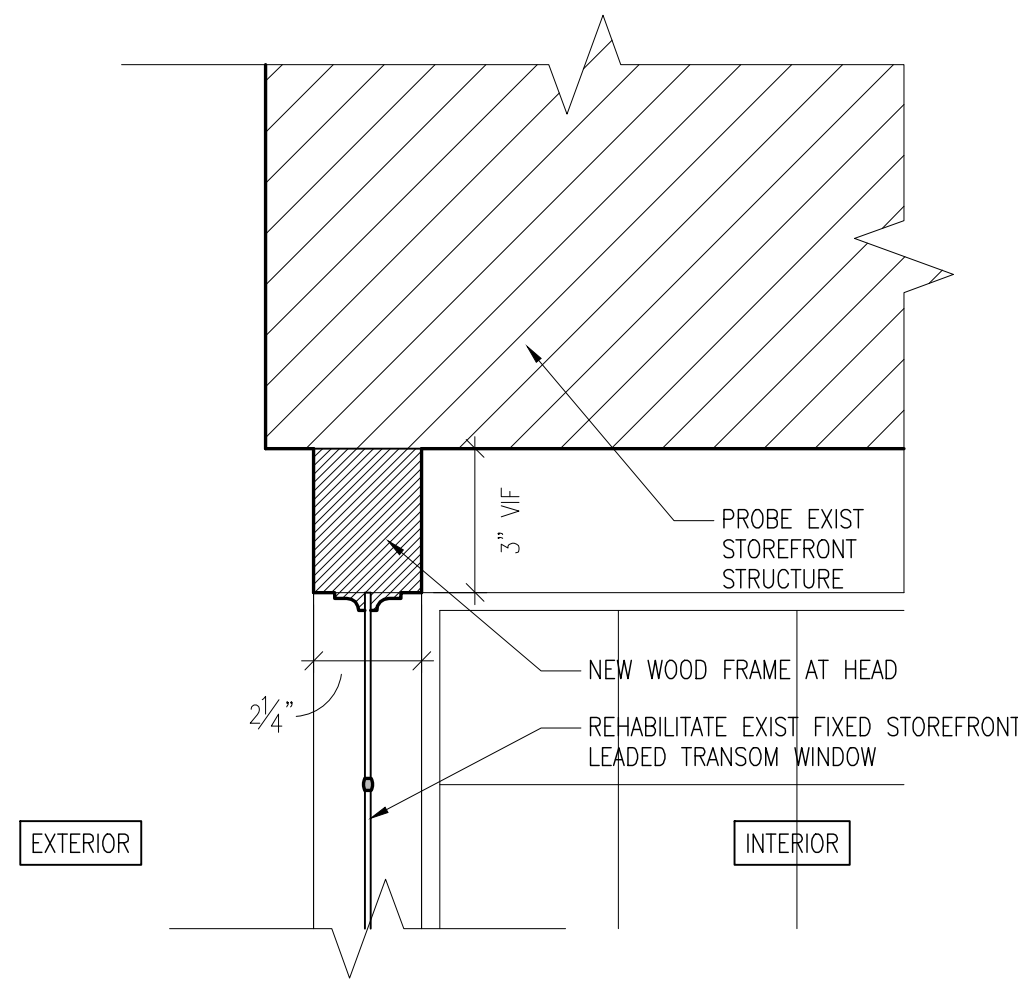
B-SCAN:

DWG. CONTENTS:  
**STOREFRONT  
WINDOW DETAILS**

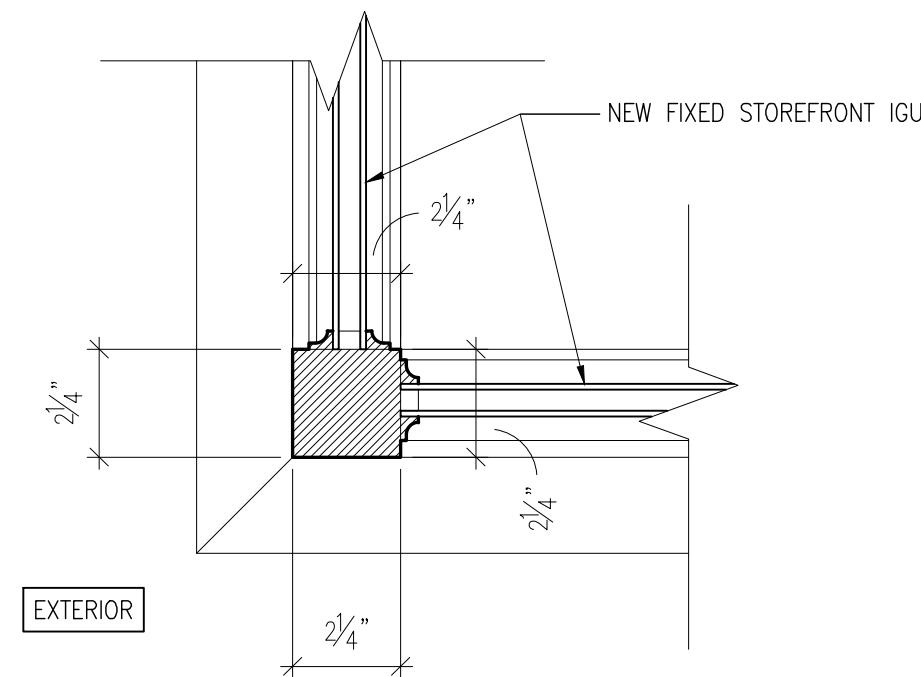
DATE: 3/15/13  
SCALE: 3" = 1'-0"  
DWG. BY:  
PROJECT NO.: 008

DWG. NO.: **A-602**

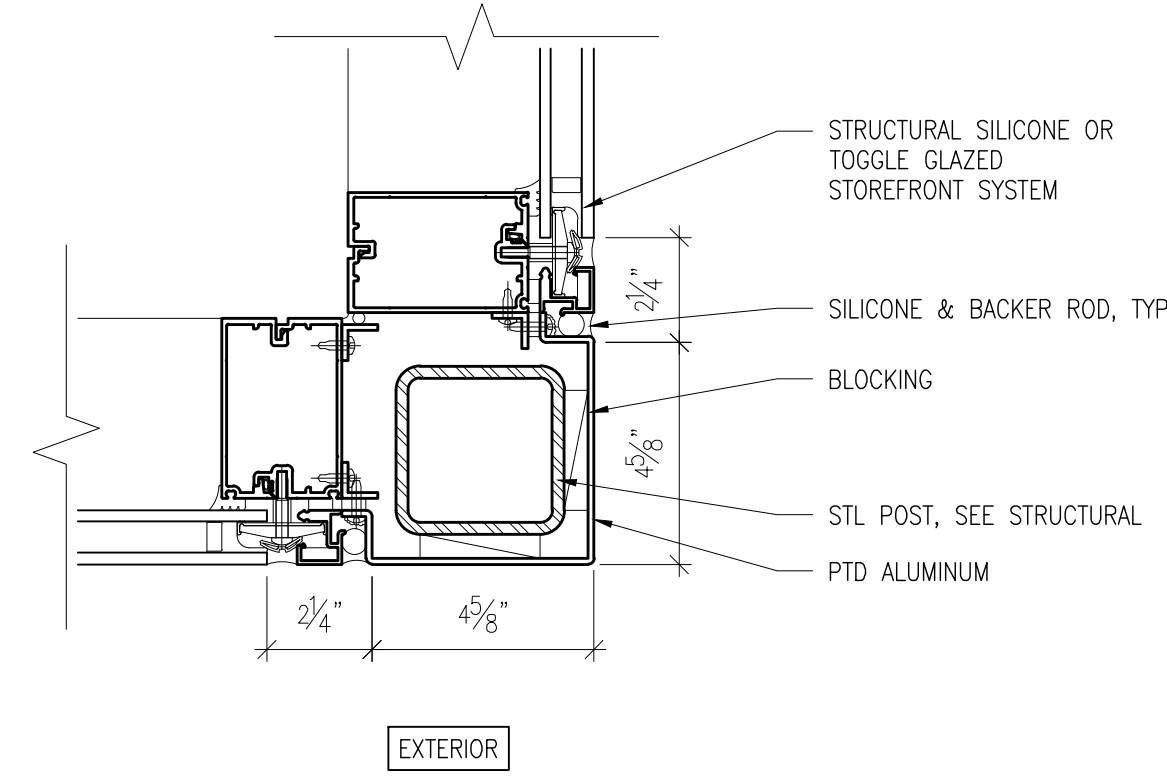
SHEET NO.:



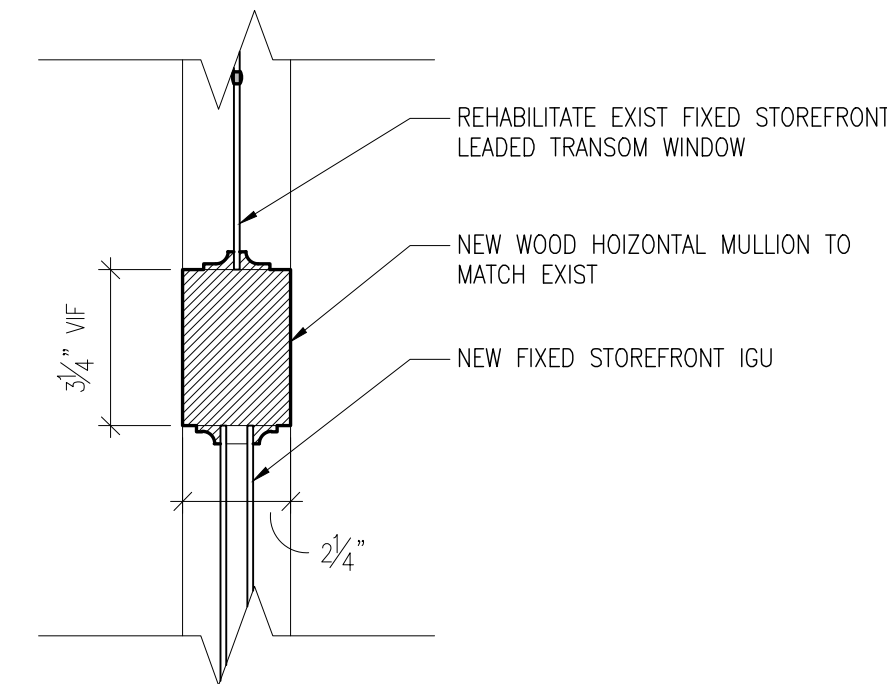
**1** WEST STOREFRONT HEAD-PROPOSED  
A-602 3" = 1'-0"



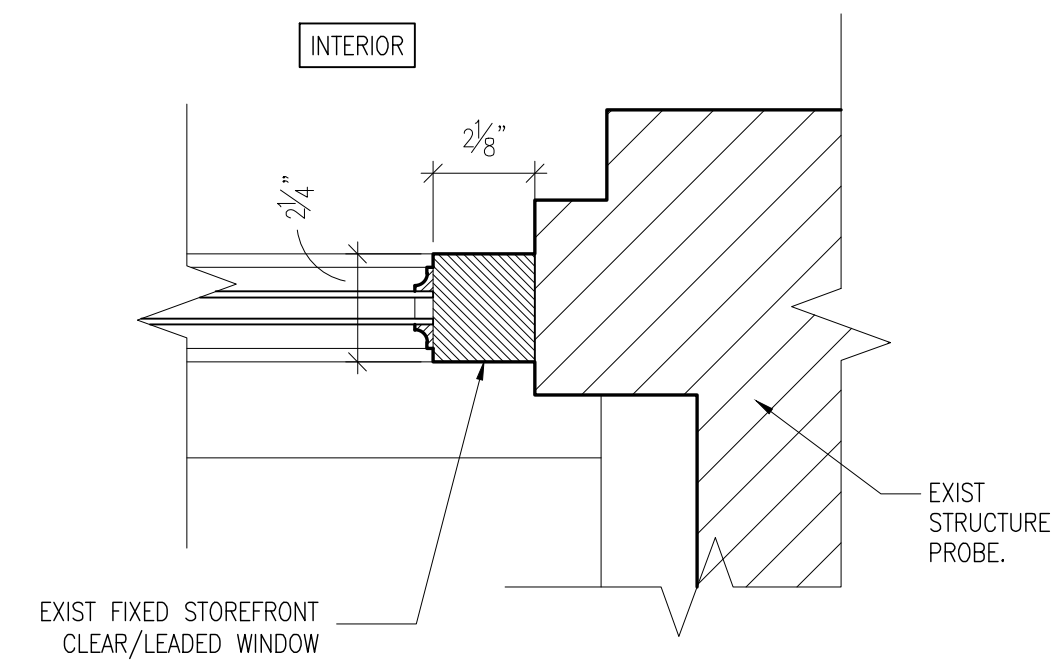
**2** WEST STOREFRONT PLAN DTL @ CORNER-PROPOSED  
A-602 3" = 1'-0"



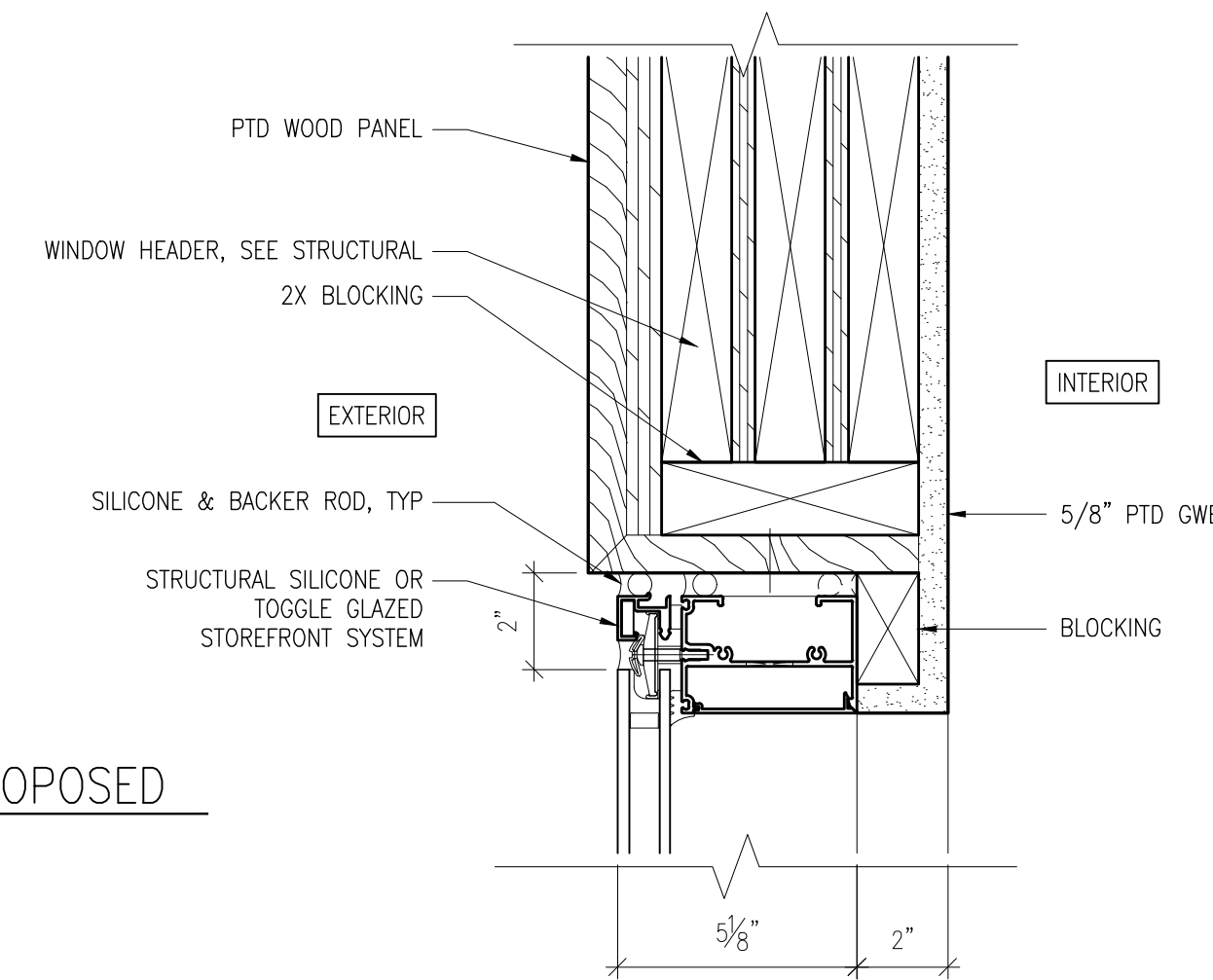
**3** WEST STOREFRONT PLAN DTL @ CORNER-PROPOSED  
A-602 3" = 1'-0"



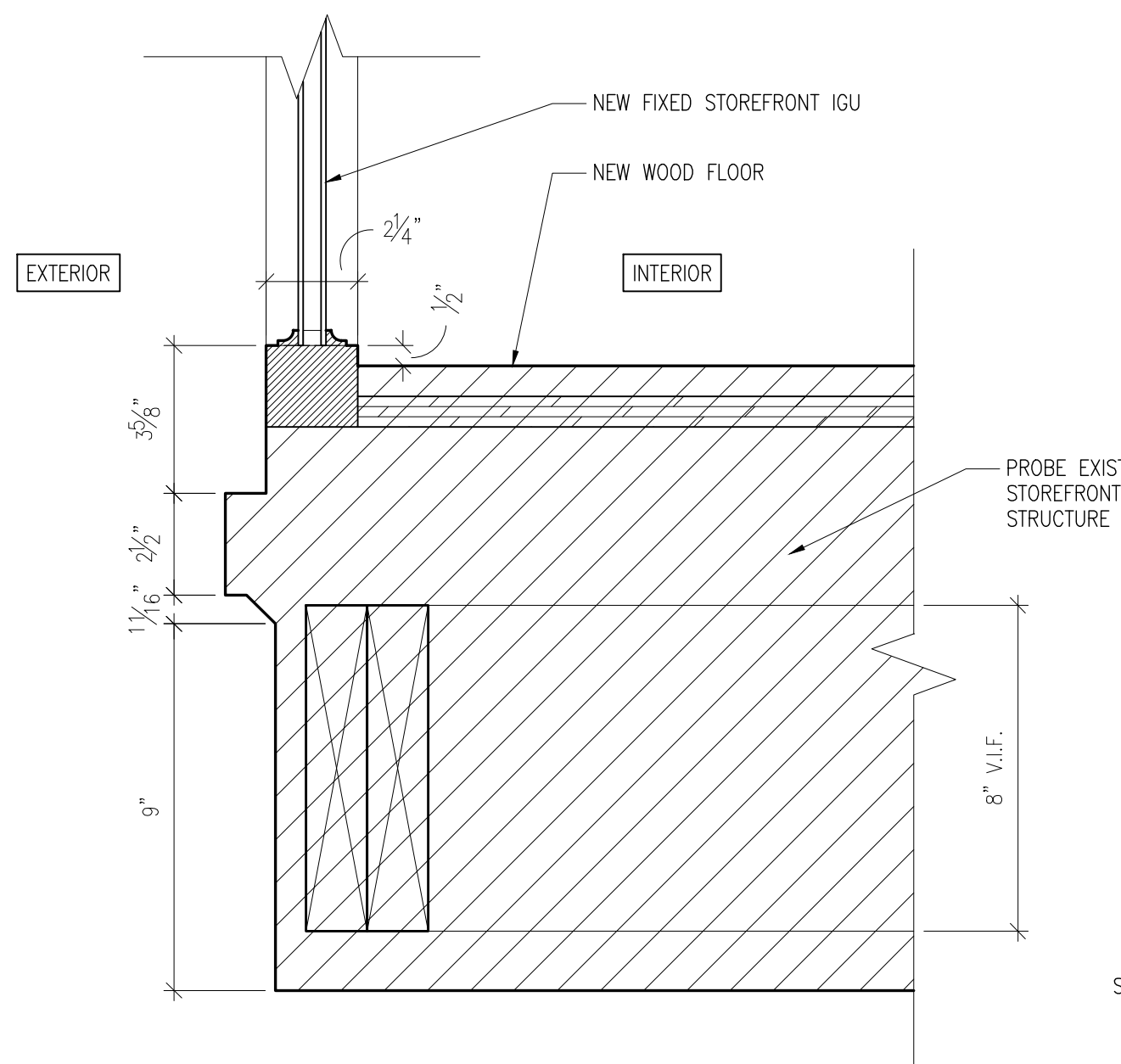
**4** WEST STOREFRONT HORIZ. MULLION-PROPOSED  
A-602 3" = 1'-0"



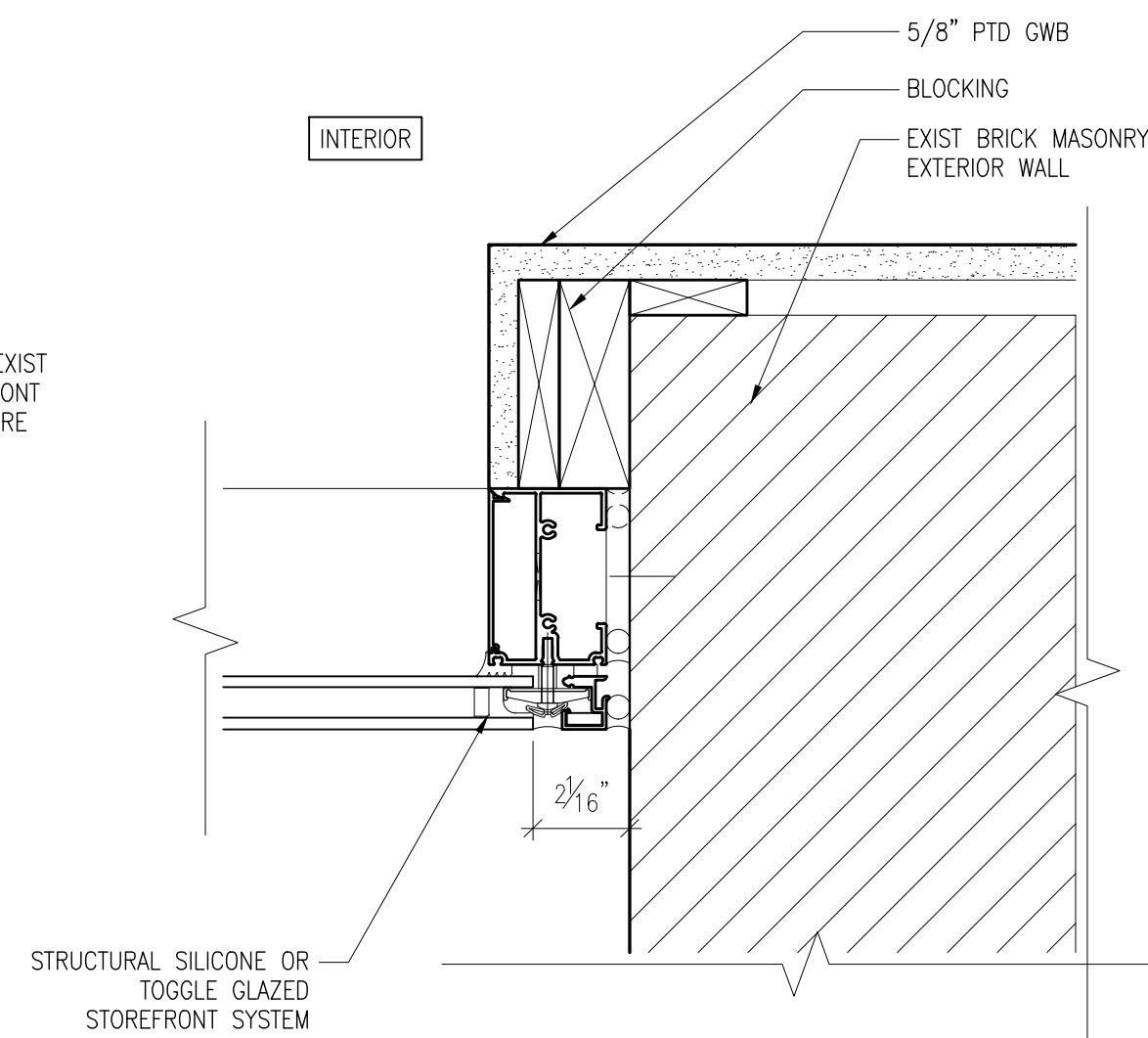
**5** WEST STOREFRONT PLAN DTL @ JAMB-PROPOSED  
A-602 3" = 1'-0"



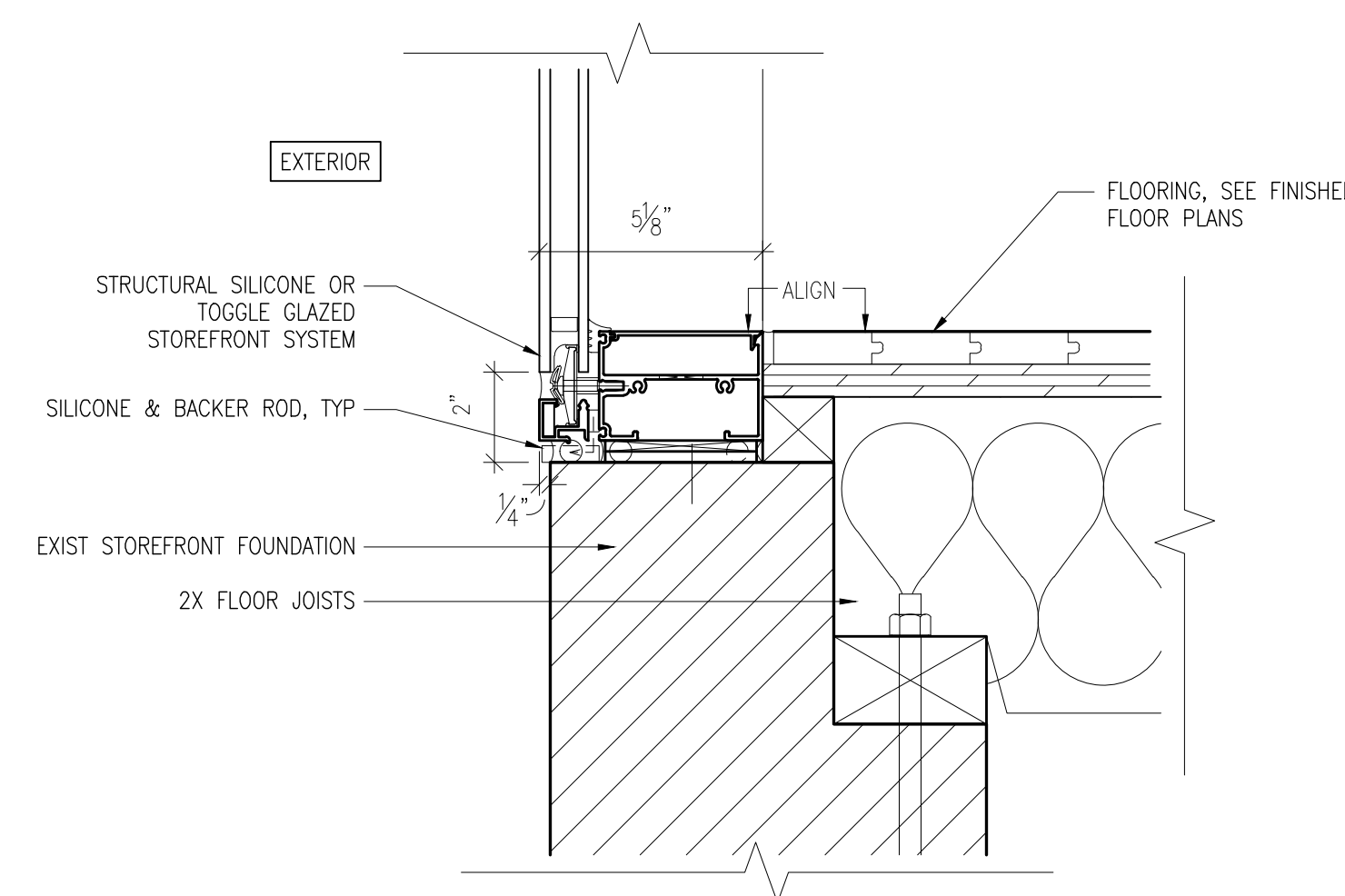
**6** EAST STOREFRONT MTL HEAD DTL-PROPOSED  
A-602 3" = 1'-0"



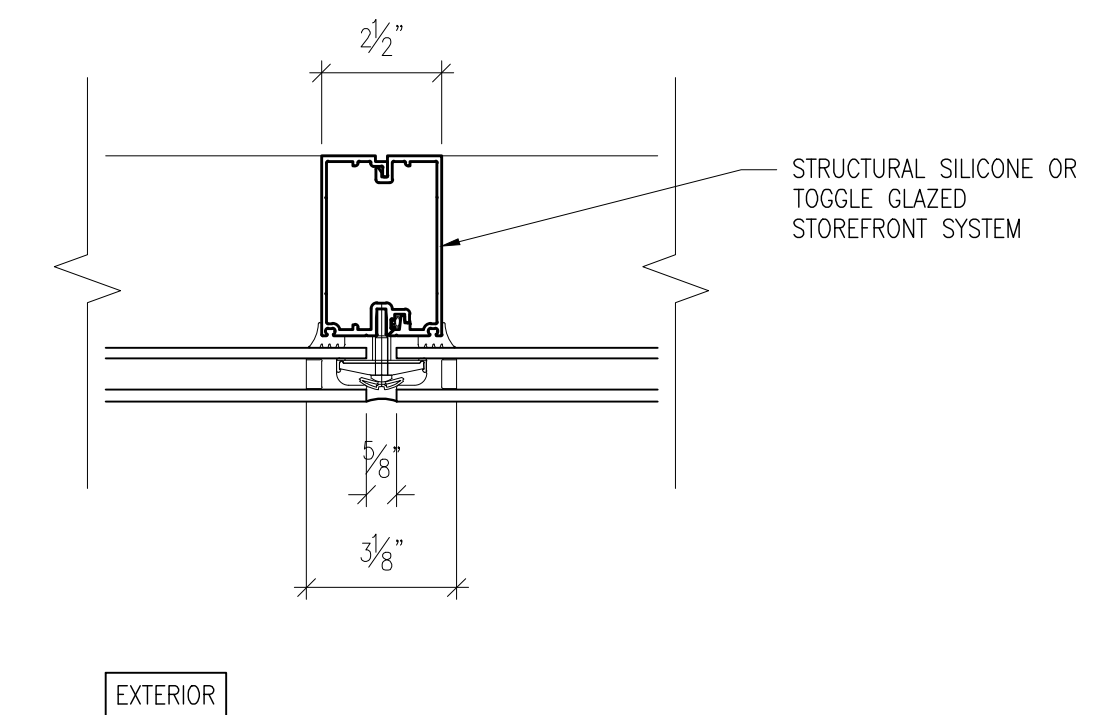
**7** WEST STOREFRONT SILL-PROPOSED  
A-602 3" = 1'-0"



**8** EAST STOREFRONT MTL JAMB DTL-PROPOSED  
A-602 3" = 1'-0"



**9** EAST STOREFRONT MTL SILL DTL-PROPOSED  
A-602 3" = 1'-0"



**10** EAST STOREFRONT MTL VERT. MULLION DTL-PROPOSED  
A-602 3" = 1'-0"